

RIDERSERIES RCM SCM-I QV S

Weidmüller Interface GmbH & Co. KG
Klingenbergstraße 26
D-32758 Detmold
Germany
Fon: +49 5231 14-0
Fax: +49 5231 14-292083
www.weidmueller.com

Product image



You place stringent demands on your relay combinations in industrial environments. Our D-SERIES relay modules were designed specifically for challenging industrial applications. Let's connect.

In many industrial applications voltages between 110 and 220 V are used to control actuators. With load currents exceeding 100 mA these high voltages produce arcing that causes a great deal of wear on the relay contacts.

We have designed our D-SERIES relay modules specifically for universal usage in a wide range of industrial applications. They are much more reliable than conventional solutions, which minimises costs for maintenance and replacement.

Thanks to series connected contacts, built-in blow magnets and low-wear contacts, arcing is effectively suppressed with D-SERIES products – resulting in a noticeably longer service life.

General ordering data

Type	SCM-I QV S
Order No.	1132080000
Version	RIDERSERIES RCM, Cross-connector
GTIN (EAN)	40322489 12193
Qty.	10 pc(s).

Data sheet

**RIDERSERIES RCM
SCM-I QV S**

Weidmüller Interface GmbH & Co. KG
 Klingenbergstraße 26
 D-32758 Detmold
 Germany
 Fon: +49 5231 14-0
 Fax: +49 5231 14-292083
 www.weidmueller.com

Technical data

Dimensions and weights

Net weight 6.7 g

Temperatures

Operating temperature, max.	70 °C	Operating temperature, min.	-45 °C
Storage temperature, max.	85 °C	Storage temperature, min.	-40 °C
Operating temperature	-45 °C...70 °C	Storage temperature	-40 °C...85 °C

Cross-connection data

Rated current	12 A	Insulation	Yes
Touch-safe protection	Yes	Colour	white
Number of cross-connected terminals	6	Pitch in mm (P)	27 mm
Version	can be cut to length		

General data

Version	can be cut to length	Colour	white
---------	----------------------	--------	-------

Connection data

Pitch in mm (P) 27 mm

Classifications

ETIM 6.0	EC002586	ETIM 7.0	EC002586
eClass 9.1	27-37-16-92	eClass 10.0	27-37-16-92

Approvals

Approvals



ROHS Conform

Downloads

Brochure/Catalogue	CAT 4.2 ELECTR 18/19 EN
Engineering Data	EPLAN, WSCAD
Engineering Data	STEP

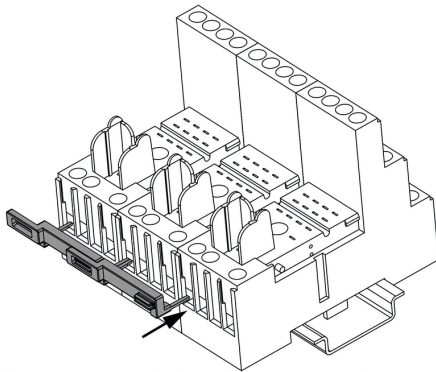
**RIDERSERIES RCM
SCM-I QV S**

Weidmüller Interface GmbH & Co. KG
 Klingenbergstraße 26
 D-32758 Detmold
 Germany
 Fon: +49 5231 14-0
 Fax: +49 5231 14-292083
 www.weidmueller.com

Drawings

Example of use

How to install cross connection



Plug the cross connection into wire-connection opening
 and fix it with tighten the screw
 Plug the cross-connection in the cable connections

Example of use

