

PLEASE CHECK WWW.MOLEX.COM FOR LATEST PART INFORMATION

Part Number: [1122191050](#)
Status: **Active**
Overview: [Woodhead ArcArrest Connector System](#)
Description: Woodhead ArcArrest 70° Angle Plug, Switch-Rated, 30.0A, 277V AC, 1-Pole+Neutral +Ground, Insulator Keying Position 4

Documents:

[Drawing \(PDF\)](#) [RoHS Certificate of Compliance \(PDF\)](#)
[Brochure \(PDF\)](#)

Agency Certification

UL E145923

General

Product Family Wiring Devices
 Series [112219](#)
 IP Rating IP69K
 NEMA Configuration N/A
 Overview [Woodhead ArcArrest Connector System](#)
 Product Name ArcArrest
 Receptacle Type N/A
 Specialty Switch-Rated
 Type Plug
 UPC 78172559178
 Wire Size AWG 8 to 12

Physical

Flange Yes
 Flip Lid No
 Gender Male
 Length 86.60mm (3.410")
 Locking Blade N/A
 Poles 1

Electrical

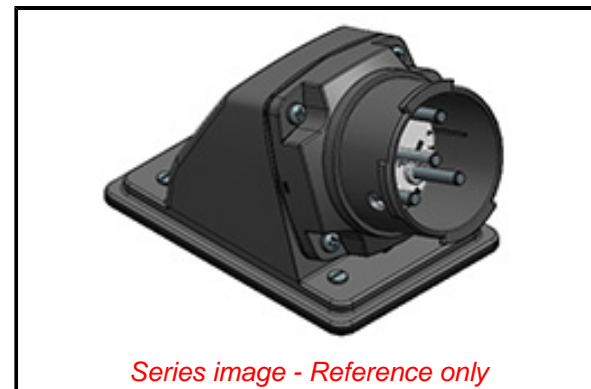
Cord Type N/A
 Current - Maximum per Contact 30.0A
 GFCI No
 Lighted Connector No
 Voltage - Maximum 277V AC

Material Info

Engineering Number ARC30MAD01

Reference - Drawing Numbers

Sales Drawing 1122191052-000



Series image - Reference only

EU ELV

Not Reviewed

EU RoHS

Not Reviewed

REACH SVHC

Not Reviewed

Halogen-Free

Status

Not Reviewed

For more information, please visit [Contact US](#)

China ROHS

Not Reviewed

ELV

Not Reviewed

RoHS Phthalates

Not Reviewed

Search Parts in this Series

[112219 Series](#)