

**PLEASE CHECK WWW.MOLEX.COM FOR LATEST PART INFORMATION**

**Part Number:** [1122171047](#)  
**Status:** **Active**  
**Overview:** [Woodhead ArcArrest Connector System](#)  
**Description:** Woodhead ArcArrest 70° Angle Plug, Switch-Rated, 60.0A, 208V AC, 2-Pole+Ground, Insulator Keying Position 16

**Documents:**

[Drawing \(PDF\)](#)  
[Brochure \(PDF\)](#)

[RoHS Certificate of Compliance \(PDF\)](#)

**Agency Certification**

UL E145923

**General**

Product Family Wiring Devices  
 Series [112217](#)  
 IP Rating IP69K  
 NEMA Configuration N/A  
 Overview [Woodhead ArcArrest Connector System](#)  
 Product Name ArcArrest  
 Receptacle Type N/A  
 Specialty Switch-Rated  
 Type Plug  
 UPC 78172559125  
 Wire Size AWG 4 to 8

**Physical**

Flange Yes  
 Flip Lid No  
 Gender Male  
 Length 86.60mm (3.410")  
 Locking Blade N/A  
 Poles 2

**Electrical**

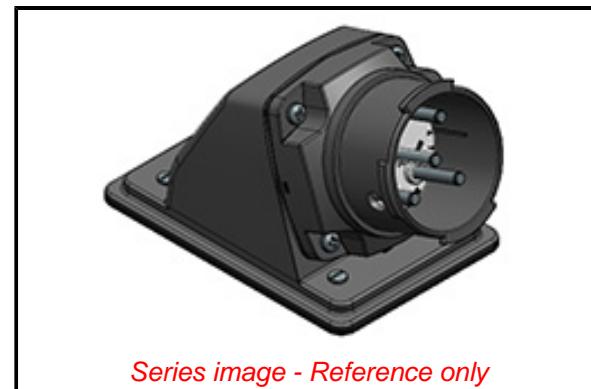
Cord Type N/A  
 Current - Maximum per Contact 60.0A  
 GFCI No  
 Lighted Connector No  
 Voltage - Maximum 208V AC

**Material Info**

Engineering Number ARC60MAC02

**Reference - Drawing Numbers**

Sales Drawing 1122171052-000



*Series image - Reference only*

**EU ELV**

**Not Reviewed**

**EU RoHS**

**Not Reviewed**

**REACH SVHC**

Not Reviewed

**Halogen-Free**

**Status**

**Not Reviewed**

For more information, please visit [Contact US](#)

China ROHS

Not Reviewed

ELV

Not Reviewed

RoHS Phthalates

Not Reviewed

**China RoHS**

**Search Parts in this Series**

[112217 Series](#)