



AST4401

TE Internal #: 11192581-00

TE Internal Description: 3000 PSI, 1/4MNPT, 0.5-4.5V ratiometric,

Exia IIc Pressure Transducer

[View on TE.com >](#)

Sensors > Pressure Sensors > Pressure Transducers > Exia IIc Pressure Transducer



Pressure Transducer Sensor Type: **Industrial Pressure Transducer**

Pressure Range: **0 – 3000 psi**

Hazardous Area Approval: **Intrinsically Safe**

Pressure Type: **Gauge**

Pressure Transducer Supply Voltage: **10 – 28 V**

[All Exia IIc Pressure Transducer \(2\)](#)

Features

Product Type Features

Pressure Transducer Sensor Type	Industrial Pressure Transducer
Pressure Type	Gauge

Configuration Features

Pressure Port/Fitting	1/4 MNPT
-----------------------	----------

Electrical Characteristics

Pressure Transducer Supply Voltage	10 – 28 V
------------------------------------	-----------

Usage Conditions

Operating Temperature Range	-40 – 80 °C[-40 – 176 °F]
-----------------------------	---------------------------

Operation/Application

	3000 psi
Proof Pressure Range	2X, Min
Pressure Range	0 – 3000 psi
Output/Span	.5 – 4.5 V
Pressure Accuracy	±0.25% FSO

Industry Standards

Hazardous Area Approval	Intrinsically Safe
-------------------------	--------------------



Product Compliance

[For compliance documentation, visit the product page on TE.com>](#)

EU RoHS Directive 2011/65/EU	Not Yet Reviewed
EU ELV Directive 2000/53/EC	Out of Scope
China RoHS 2 Directive MIIT Order No 32, 2016	Not reviewed for China RoHS compliance
EU REACH Regulation (EC) No. 1907/2006	Current ECHA Candidate List: JUNE 2023 (235) Not Yet Reviewed
Halogen Content	Not Yet Reviewed for halogen content
Solder Process Capability	Not reviewed for solder process capability

Product Compliance Disclaimer

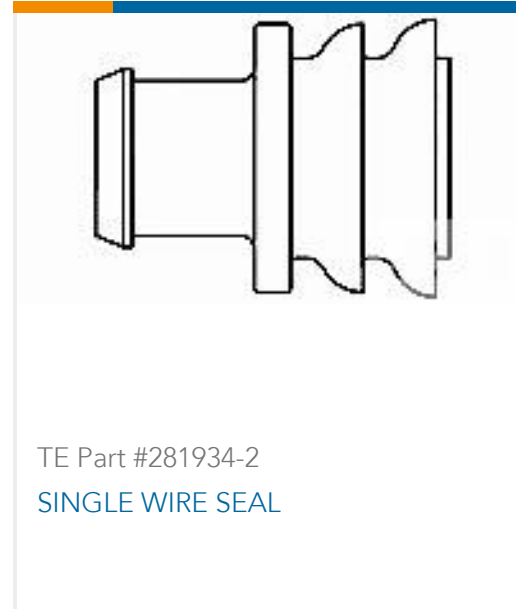
This information is provided based on reasonable inquiry of our suppliers and represents our current actual knowledge based on the information they provided. This information is subject to change. The part numbers that TE has identified as EU RoHS compliant have a maximum concentration of 0.1% by weight in homogenous materials for lead, hexavalent chromium, mercury, PBB, PBDE, DBP, BBP, DEHP, DIBP, and 0.01% for cadmium, or qualify for an exemption to these limits as defined in the Annexes of Directive 2011/65/EU (RoHS2). Finished electrical and electronic equipment products will be CE marked as required by Directive 2011/65/EU. Components may not be CE marked. Additionally, the part numbers that TE has identified as EU ELV compliant have a maximum concentration of 0.1% by weight in homogenous materials for lead, hexavalent chromium, and mercury, and 0.01% for cadmium, or qualify for an exemption to these limits as defined in the Annexes of Directive 2000/53/EC (ELV). Regarding the REACH Regulations, TE's information on SVHC in articles for this part number is still based on the European Chemical Agency (ECHA) 'Guidance on requirements for substances in articles' (Version: 2, April 2011), applying the 0.1% weight on weight concentration threshold at the finished product level. TE is aware of the European Court of Justice ruling of September 10th, 2015 also known as O5A (Once An Article Always An Article) stating that, in case of 'complex object', the threshold for a SVHC must be applied to both the product as a whole and simultaneously to each of the articles forming part of its composition. TE has evaluated this ruling based on the new ECHA "Guidance on requirements for substances in articles" (June 2017, version 4.0) and will be updating its statements accordingly.

Also in the Series | [AST4401](#)



[Pressure Transducers\(2\)](#)

Customers Also Bought



Documents

Datasheets & Catalog Pages

[AST4401 Datasheet](#)

English