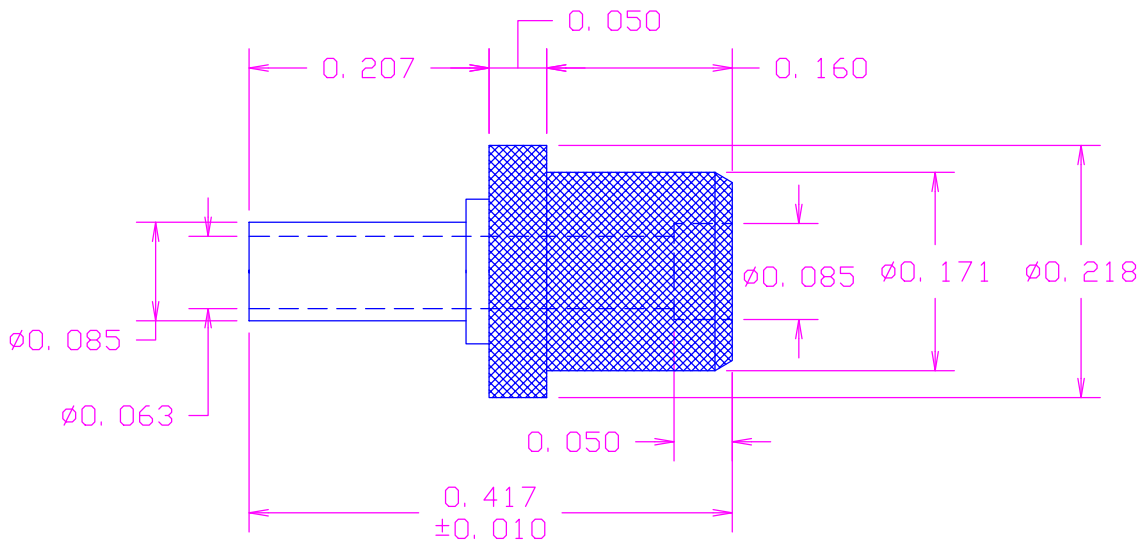
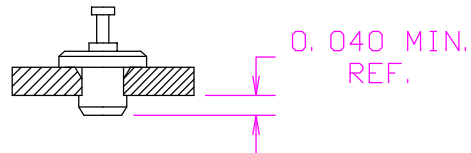
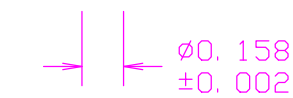
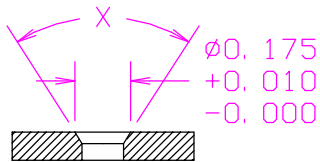


DATE	SYM	REVISION RECORD	AUTH.	DR.	CK.
7/24/00	-	ISSUED		NT	DG



RECOMMENDED HOLE SIZE  
FOR PRESS FIT INSERTION

MATERIAL: PIN- BRASS PER ASTM B16,  
ALLOY C 36000, 1/2 HARD  
BUSHING- PTFE PER ASTM D1710  
COLOR(XX)-SEE COLOR CODE  
FINISH: PIN- .0003"MIN. ELECTRO-SOLDER  
PER MIL-P-81728, OVER .0001"MIN. COPPER



FOR BOARD THICKNESS GREATER THAN .040, X=60°  
FOR BOARD THICKNESS LESS THAN .040, X=80°

(XX)COLOR CODE:  
10-BLACK  
11-BROWN  
12-RED  
13-ORANGE  
14-YELLOW  
15-GREEN  
16-BLUE  
17-VIOLET  
18-GRAY  
19-WHITE(NATURAL)

ACTUAL SIZE



TOLERANCES (EXCEPT AS NOTED)	CONCORD		ELECTRONICS CORPORATION
DECIMAL ± .005	P/N	SCALE	30 GREAT JONES ST. NEW YORK N. Y. 10012
FRACTIONAL ± 1/64	TITLE TERMINAL, PTFE INSULATED		
ANGULAR ± 5°	DATE 7/21/00	DRAWING NUMBER 1115-05-05XX	