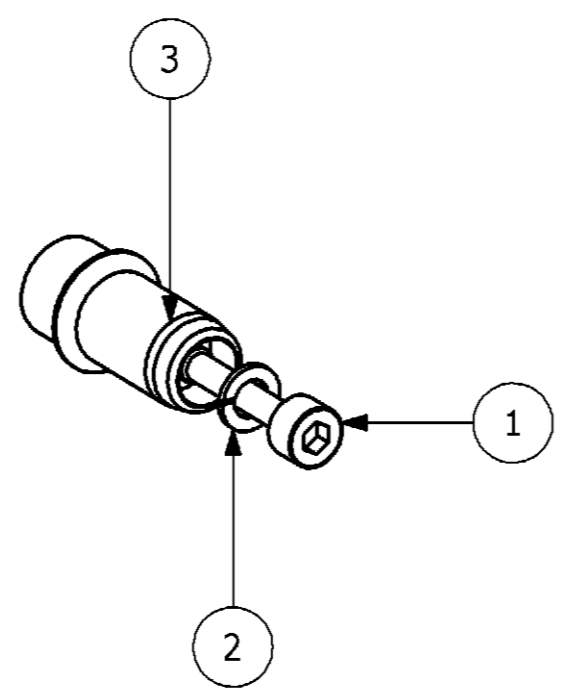


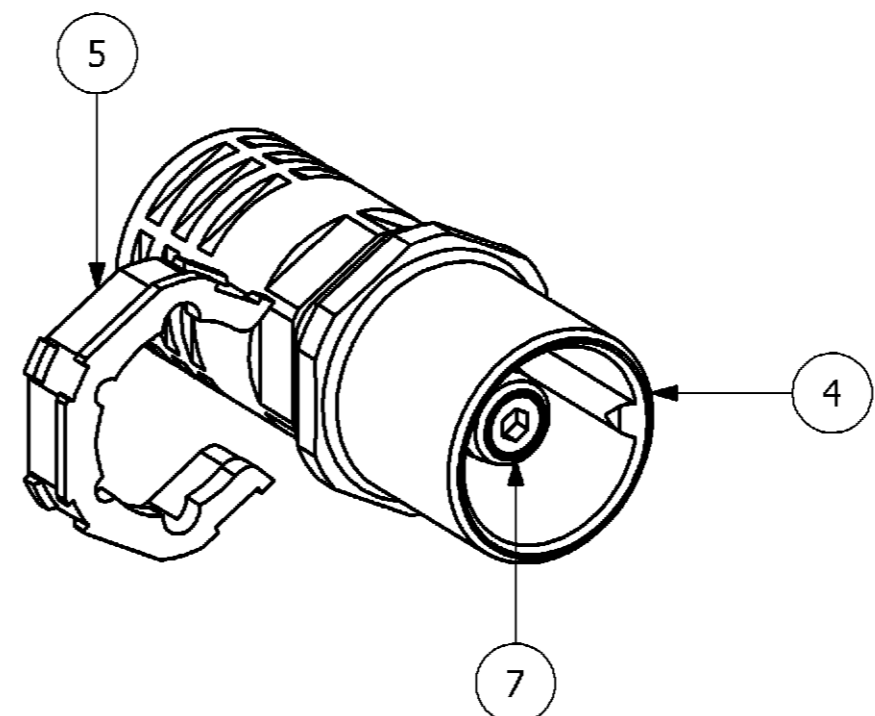
LOC		DIST		REVISIONS ÄNDERUNGEN			DATE	DWN	APVD
P	LTR	DESCRIPTION BESCHREIBUNG							
AI	-	A5	REVISED PER ECR-23-191140	17JUN24	RK	WR			
PROJEKT NR. B901815									

NOTES

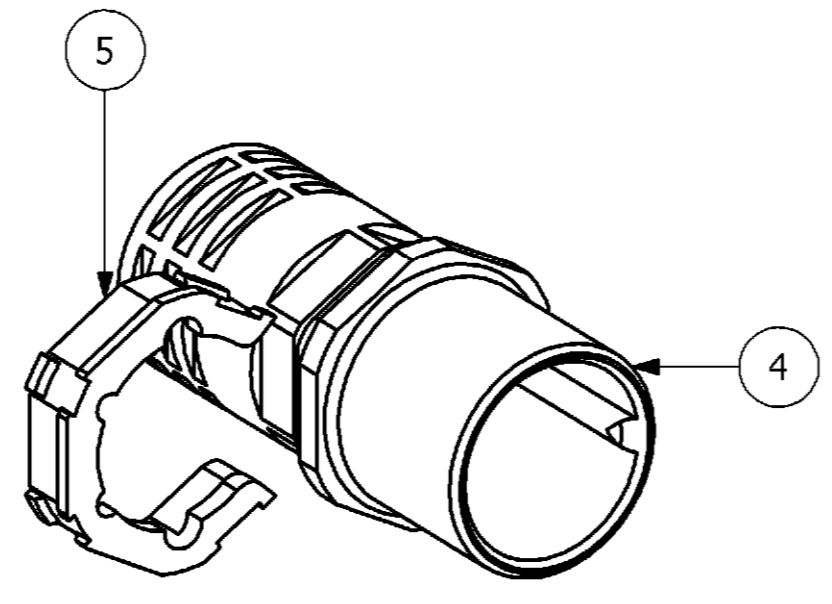
- 1 PACKAGING PN 01-05
PACKAGING QUANTITY: 5 PIECES
- 2 PACKAGING PN 06
PACKAGING QUANTITY: 1 PIECE
- TE SEE TE QUALITYMANAGEMENT PROCEDURE NO. 1.12 CURRENT REV.



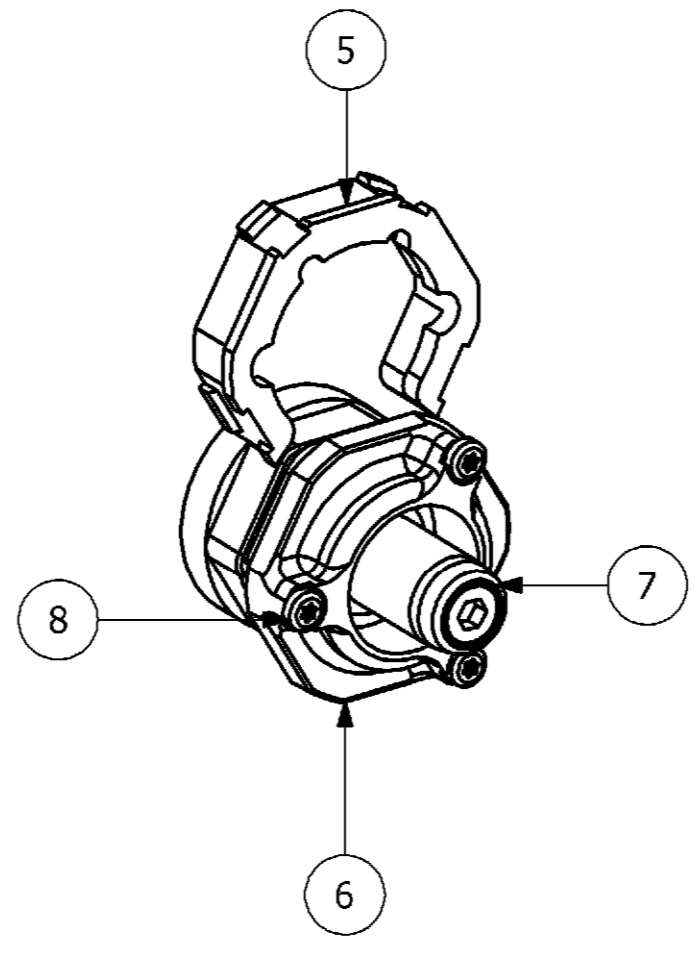
0-1/0-6



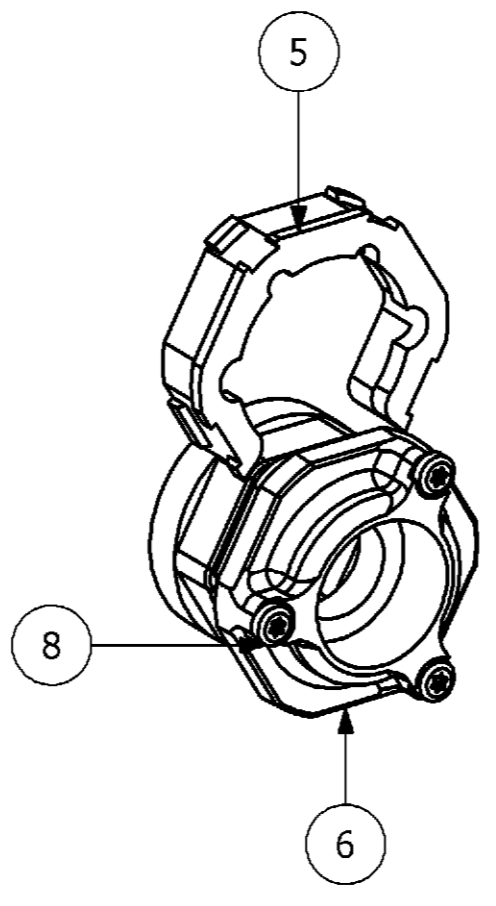
0-2



0-3



0-4



0-5

QTY	QTY	QTY	QTY	QTY	QTY	QTY	QTY	DESCRIPTION	Material	Surface/Color	ITEM/NO.
-	3	3	-	-	-	-	-	SCREW	V2A	-	8
-	-	1	-	1	-	-	-	PIN CONTACT	-	-	7
-	1	1	-	-	-	-	-	CONTACT SOCKET GROUND	GD-ZnAl	-	6
-	1	1	-	1	-	-	-	CLIP	PA66	Sw	5
-	-	-	-	1	-	-	-	CONTACT INSERT PIN	PA66	Sw	4
1	-	-	-	-	1	-	-	PIN CONTACT	CuZn	Ag	3
1	-	-	-	-	-	1	-	SPRINGWASHER	V2A	-	2
1	-	-	-	-	-	1	-	SCREW	V2A	-	1
0-6	0-5	0-4	0-3	0-2	0-1			DESCRIPTION	Material	Surface/Color	ITEM/NO.
				X				HF. 13. StI			
			X					SET-HF. 13/16-13. StI			
		X						HF. 13/16. StI			
	X							SET-HF. E-13. StI			
X								HF. E. 13/16. StI			
X								HF. 13. StI-1			

OBSOLETE

DIMENSIONS:	TOLERANCES UNLESS OTHERWISE SPECIFIED:	WEIGHT	SCALE	SHEET	OF	REV.
mm	n. ISO 8015 - n. ISO 2768 - n. DIN 16901-	0,001 KG	1:1	1	1	A5

DWN 27.09.2006
CHK G.WROBLEWSKI 26.09.2006
APVD H.BRAUN 26.09.2006

T.SCHNURPFEIL

ASSY CONTACT PIN
SERIES HF 13

108-74025

114-74032

0,001 KG

A2 00779

1110950

CUSTOMER DRAWING / KUNDENZEICHNUNG

SCALE 1:1

SHEET 1 OF 1

REV. A5

TE Connectivity