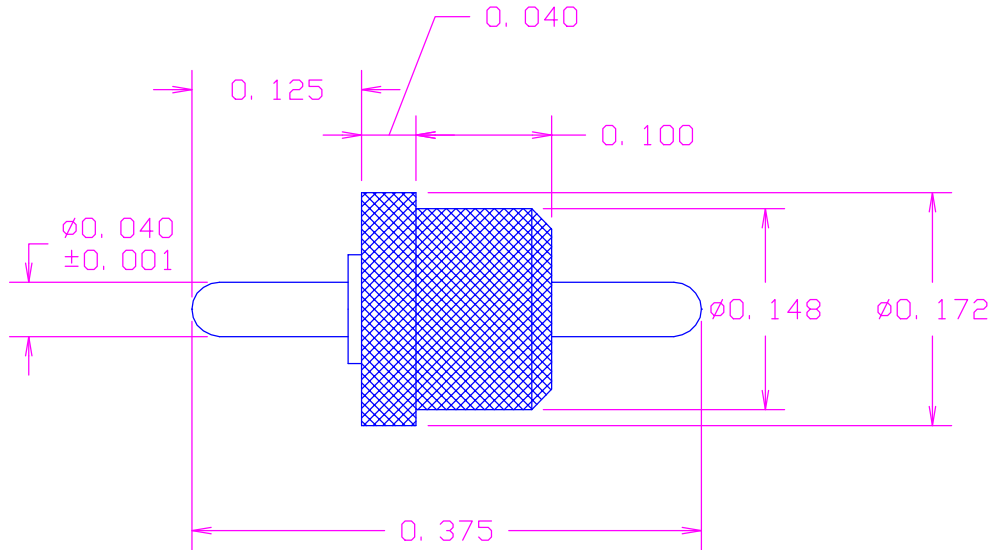
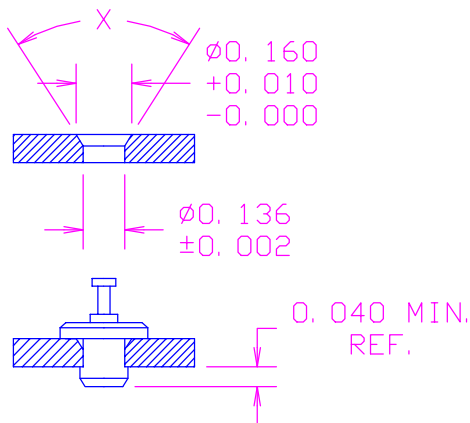


DATE	SYM	REVISION RECORD	AUTH.	DR.	CK.
9/6/96	-	ISSUED		NT	MM
7/27/99	1	OTHERWISE SPECIFIED TOLERANCE ±.005 WAS ±.010		EQ	DG
8/3/01	A1	UPDATE REVISION LEVEL		NT	



RECOMMENDED HOLE SIZE
FOR PRESS FIT INSERTION

MATERIAL: PIN- BRASS PER ASTM B16,
ALLOY C 36000, 1/2 HARD
BUSHING- PTFE PER ASTM D1710
COLOR(XX)-SEE COLOR CODE
FINISH: PIN- .0003"MIN. ELECTRO-SOLDER
PER MIL-P-81728, OVER .0001"MIN. COPPER



(XX)COLOR CODE:
10-BLACK
11-BROWN
12-RED
13-ORANGE
14-YELLOW
15-GREEN
16-BLUE
17-VIOLET
18-GRAY
19-WHITE(NATURAL)

FOR BOARD THICKNESS GREATER THAN .040, X=60°
FOR BOARD THICKNESS LESS THAN .040, X=80°

ACTUAL SIZE



TOLERANCES (EXCEPT AS NOTED)	CONCORD ELECTRONICS CORPORATION		
DECIMAL ± .005	P/N	SCALE	30 GREAT JONES ST. NEW YORK N. Y. 10012
FRACTIONAL ± 1/64	TITLE TERMINAL		
ANGULAR ± 5°	DATE 9-6-96	DRAWING NUMBER 1110-16-05XX	