

1106409-1 Product Details

[Share](#) [Print](#) [Email](#)



1106409-1

TE Internal Number: 1106409-1
 Active

HTS Connectors and Accessories

Always EU RoHS/ELV Compliant (Statement of Compliance)

Product Highlights:

- HA Series
- Accessory
- Accessory Type = Hood
- Product Size = 2
- Locking Device Type = Side Clip at Housing Bottom

[View all Features](#)

Quick Links

- ▶ [Pricing & Availability](#)
- ▶ [Search for Tooling](#)
- ▶ [Product Feature Selector](#)
- ▶ [Contact Us About This Product](#)

[Add to My Part List](#) [Request Sample](#) [Find Similar Products](#) [Buy Product](#)

Documentation & Additional Information

Product Drawings:

- [CABLE TO CABLE HOOD HA10.KDO-LB.1.M20.G \(PDF, English\)](#)

Catalog Pages/Data Sheets:

- None Available

Product Specifications:

- None Available

Application Specifications:

- None Available

Instruction Sheets:

- None Available

CAD Files:

- None Available

Additional Information:

- [Product Line Information](#)

Related Products:

- [Tooling](#)

[List all Documents](#)

Product Features (Please use the Product Drawing for all design activity)

Product Type Features:

- Product Type = Accessory
- Accessory Type = Hood
- Product Size = 2
- Thread Size = M20
- Finish = Silver Gray

Body Features:

- Entry Style = Bottom - Cable-to-Cable
- Dimensions (L x H x W) (mm [in]) = 75.5 x 52.5 x 29.0 [2.97 x 2.07 x 1.14]
- Material = Die Cast Aluminum

Contact Features:

- Corrosion Protected = No

Configuration Features:

- Locking Device Type = Side Clip at Housing Bottom

Industry Standards:

- [RoHS/ELV Compliance](#) = RoHS compliant, ELV compliant
- [Lead Free Solder Processes](#) = Not relevant for lead free process
- RoHS/ELV Compliance History = Always was RoHS compliant

Packaging Features:

- Packaging Method = Loose Piece
- Packaging Quantity = 5

Other:

- Series = HA
- Brand = HTS

Corporate Information

- [About TE](#)
- [Investors](#)
- [News Room](#)
- [Supplier Portal](#)
- [Careers](#)
- [Terms & Conditions](#)
- [Privacy Policy](#)
- [AODA Accessibility Policy](#)
- [AODA Multi-Year Accessibility Plan](#)

Quick Links

- [Distributor Inventory](#)
- [Product Cross Reference](#)
- [Documents & Drawings](#)
- [Product Compliance Support Center](#)
- [Site Map](#)

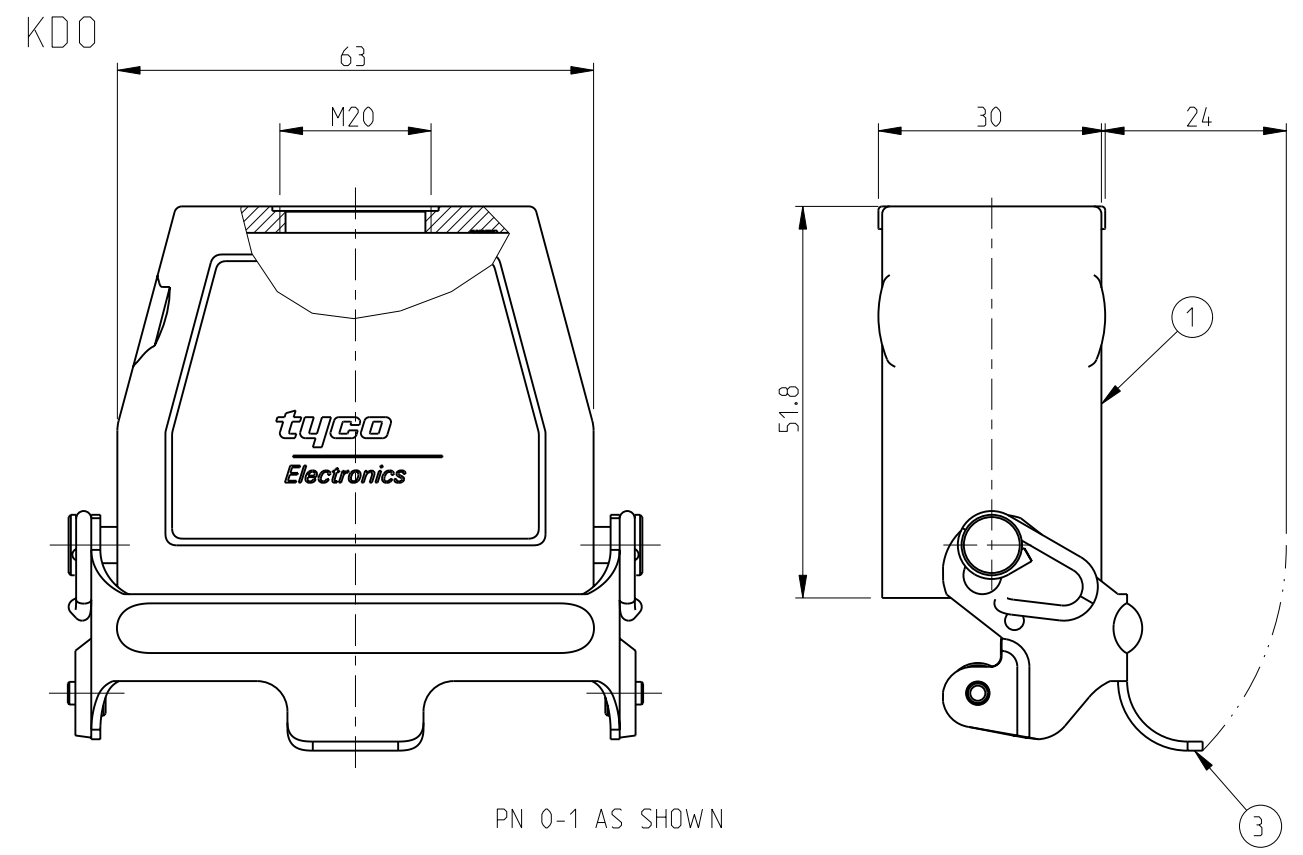
Customer Support

- [Email or Chat With Us](#)
- [Find a Phone Number](#)
- [Knowledge Base](#)
- [Manage Your Account](#)

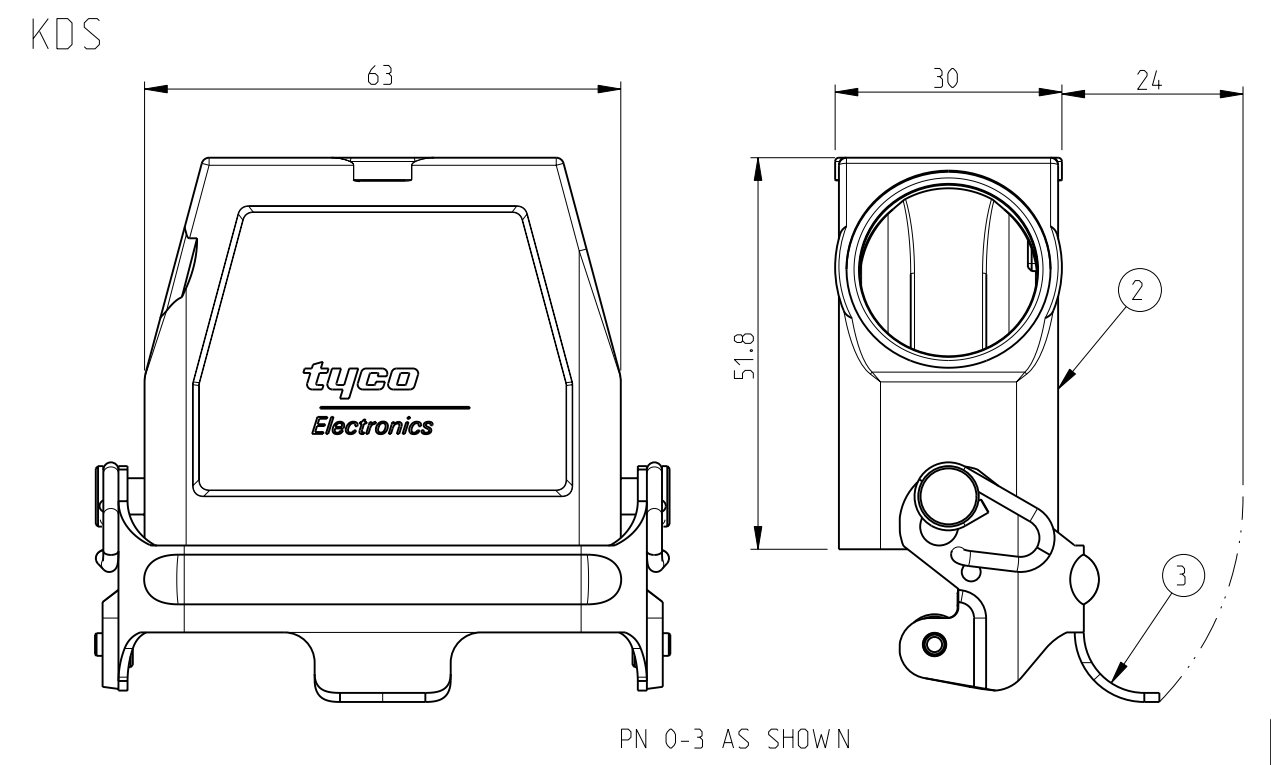
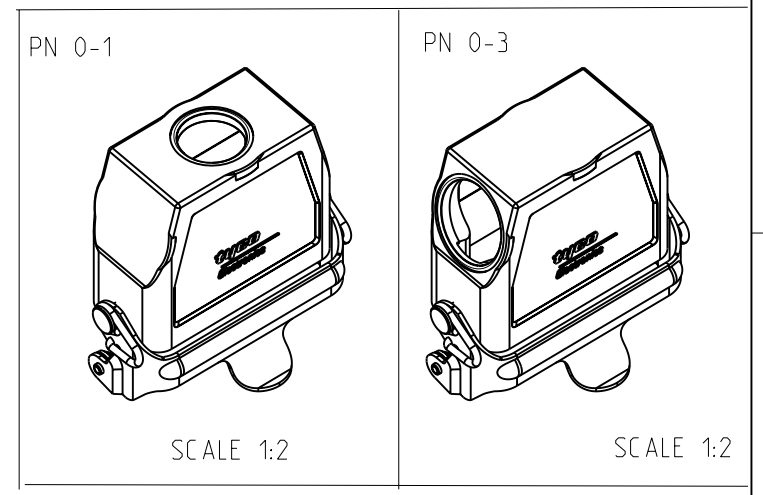
Keep Me Informed

THIS DRAWING IS UNPUBLISHED. RELEASED FOR PUBLICATION 2000
 © COPYRIGHT 2000 BY TYCO ELECTRONICS CORPORATION. ALL RIGHTS RESERVED.

LOC	DIST	REVISIONS				
P	LTR	DESCRIPTION	DATE	DWN	APVD	
A1	-	B4	ECR-10-008965	28APR2010	VG	AR



- NOTES:
- 1 MATERIAL: SEE TABLE
 - 2 SURFACE: SEE TABLE
 - 3 VARNISH ON THE INSIDE NOT NECESSARY
 - 4 PACKAGING QUANTITY: 5 PIECES PER BOX



QTY	DESCRIPTION	MATERIAL	SURFACE	COLOR	ITEM NO.	REMARKS
1	CLIP	STEEL	ZINC PLATED	BLUE	3	
1	CABLE TO CABLE HOOD	ALUMINIUM	SURTEC 650 chromiAL	BLACK	2	
-	1	CABLE TO CABLE HOOD	ALUMINIUM	GREY	1	
0-3	0-1					

ORDERING TEXT
 HA10.KDO-LB.1.M20.G
 HA-EMV.10.KDS-LB.1.M25.G

<small>THIS DRAWING IS A CONTROLLED DOCUMENT FOR TYCO ELECTRONICS CORPORATION IT IS SUBJECT TO CHANGE AND THE CONTROLLING ENGINEERING ORGANIZATION SHOULD BE CONTACTED FOR THE LATEST REVISION.</small>		DWN R.SRINIVAS 3/3/2006 CHK R.SRINIVAS 3/3/2006 APVD T.SCHNURPFIL 3/3/2006		Tyco Electronics.AMP.GmbH 53757.Sankt Augustin.Germany	
DIMENSIONS: mm		TOLERANCES UNLESS OTHERWISE SPECIFIED: 0 PLC ± 1 PLC ± 2 PLC ± 3 PLC ± 4 PLC ± ANGLES ±		NAME CABLE TO CABLE HOOD HA10.KDO-LB.1.M20.G	
MATERIAL 1		FINISH 2		PRODUCT SPEC - APPLICATION SPEC - WEIGHT -	
CUSTOMER DRAWING			SIZE A3	CAGE CODE 00779	DRAWING NO C-1106409
			SCALE 1:1	SHEET 1 OF 1	REV B4