

THIS DRAWING IS UNPUBLISHED.

RELEASED FOR PUBLICATION

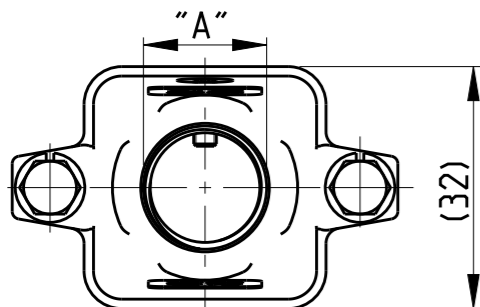
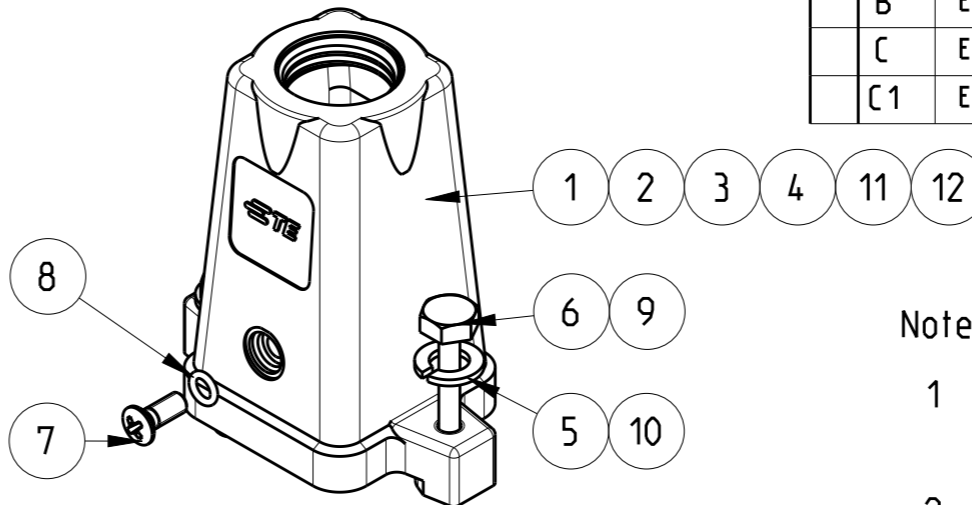
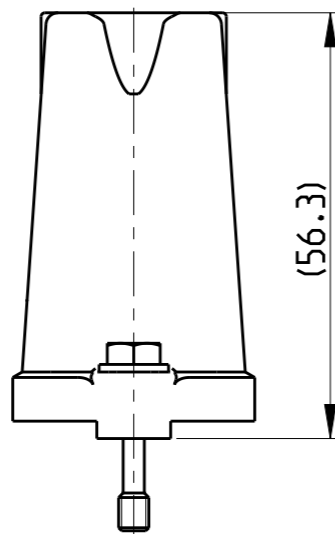
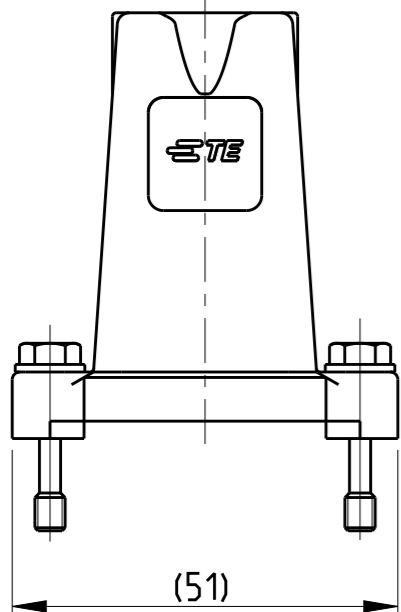
2009

© COPYRIGHT 2009 BY -

ALL RIGHTS RESERVED.

REVISIONS

P	LTR	DESCRIPTION	DATE	DWN	APVD
A9		ECR-10-009092	28APR2010	RO	BR
B		ECR-16-001855	29FEB2016	GCM	JB
C		ECR-16-014579	26APR2017	GCM	JB
C1		ECR-17-010220	08AUG2017	GCM	JB



Notes

- 1 SUITABLE HOUSINGS: SERIES EMV, SIZE 1
CUSTOMER DRAWING 1102703; 1102702
- 2 STANDARDS: DIN EN 61984, DIN EN 60664-1
- 3 SURFACE: CHROMIT AL TCP PASSIVATION
- 4 TOOLS: PHILLIPS SCREWDRIVER PH1
HEXAGON SCREWDRIVER 7mm
- 5 VARNISH ON INSIDE AREA NOT NECESSARY
- 6 PACKAGING:
10 SETS IN A CARTON, PRE-MOUNTED

PN 0-1 AS SHOWN

PART NO.	ORDERING TEXT
0-1106402-8	EMV.3/4.STO.1.M20.G
0-1106402-7	EMV-K.3/4.ST-N
0-1106402-6	EMV-K.3/4.STO.1.M20.G
0-1106402-5	EMV-K.3/4.STO.1.M16.G
0-1106402-4	EMV.3/4.STO.1.M16.G
0-1106402-3	EMV-K.3/4.STO.1.M20.G
0-1106402-2	EMV-K.3/4.STO.1.M16.G
0-1106402-1	EMV.3/4.STO.1.M16.G

1	2	3	4	5	6	7	8	9	10	11	12		
-	-	-	-	-	-	-	-	-	-	-	-		
1	1	1	1	1	1	1	1	1	1	1	1		
2	2	-	-	-	2	2	2	2	2	2	2		
2	2	-	-	-	2	2	2	2	2	2	2		
-	-	1	-	-	-	-	-	-	-	-	-		
-	-	-	-	-	1	-	-	-	-	-	-		
-	-	-	1	-	-	1	-	-	-	-	-		
-	-	-	-	1	-	-	1	-	-	-	-		
0-8	0-7	0-6	0-5	0-4	0-3	0-2	0-1						
PN/QTY								DESCRIPTION	"A"	MATERIAL	COLOR/SURFACE	NOTE	ITEM

PARTS LIST (PER ONE UNIT)

THIS DRAWING IS A CONTROLLED DOCUMENT.

DIMENSIONS:	TOLERANCES UNLESS OTHERWISE SPECIFIED:
mm	
0 PLC	±
1 PLC	±
2 PLC	±
3 PLC	±
4 PLC	±
ANGLES	±1°
MATERIAL	FINISH
-	-

DWN	V.GLUMM	14AUG2009
CHK	H.Braun	14AUG2009
APVD	T.Schnurfeil	14AUG2009
PRODUCT SPEC	-	-
APPLICATION SPEC	-	-
WEIGHT	-	-
CUSTOMER DRAWING		

STE TE Connectivity

NAME: CONNECTOR HOUSING ASS'Y, TOP ENTRY
SERIES EMV, SIZE 1, METRIC

SIZE	CAGE CODE	DRAWING NO	RESTRICTED TO
A3	00779	C-1106402	-

SCALE 1:1 SHEET 1 OF 1 REV C1