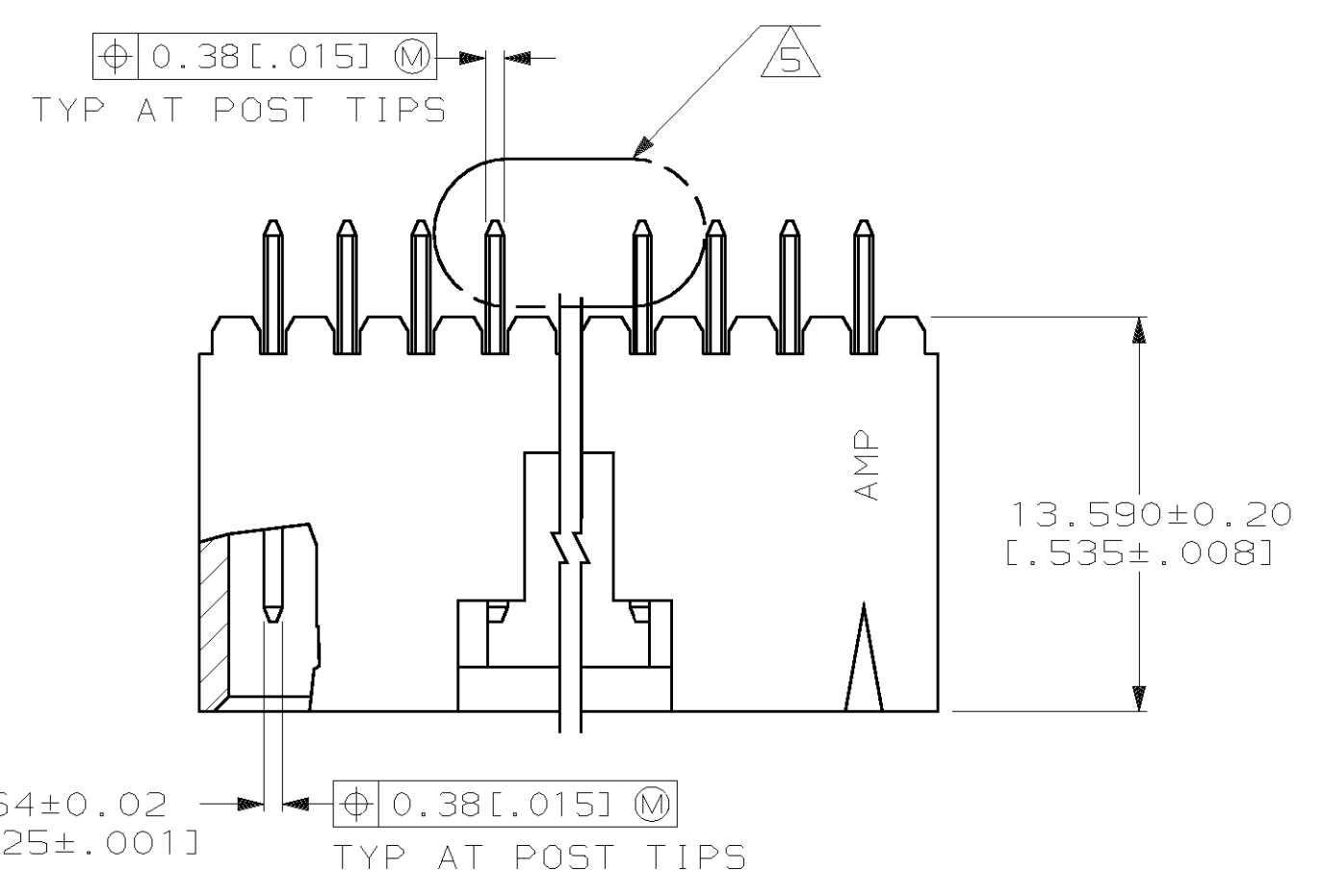
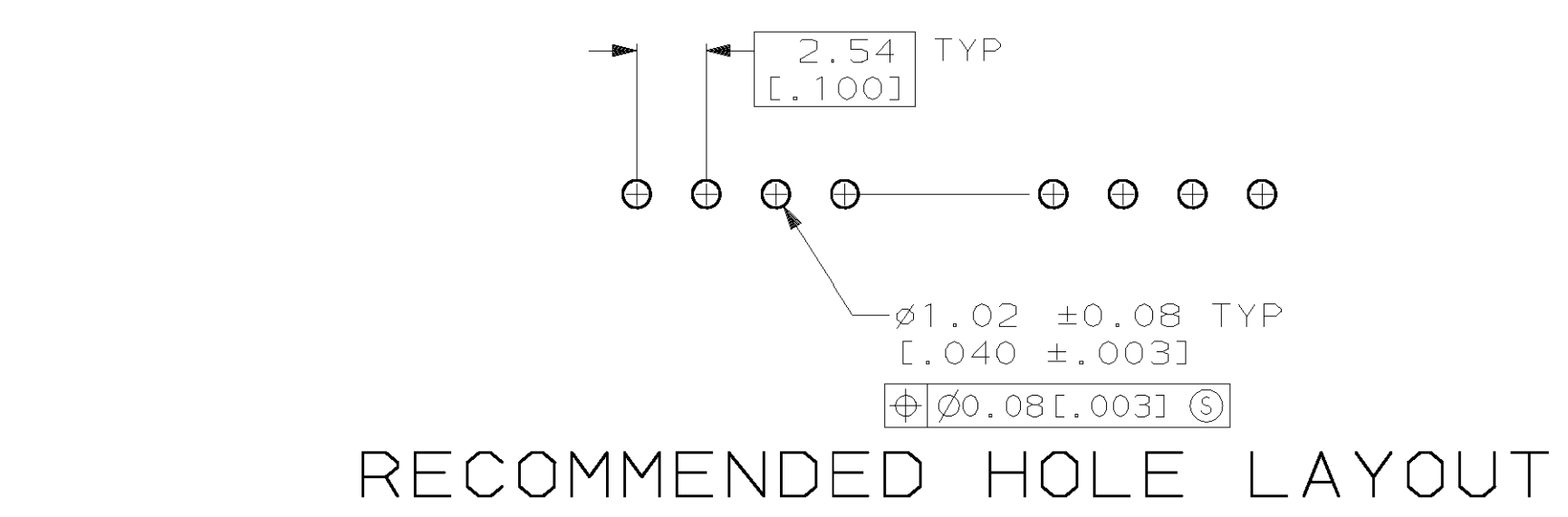
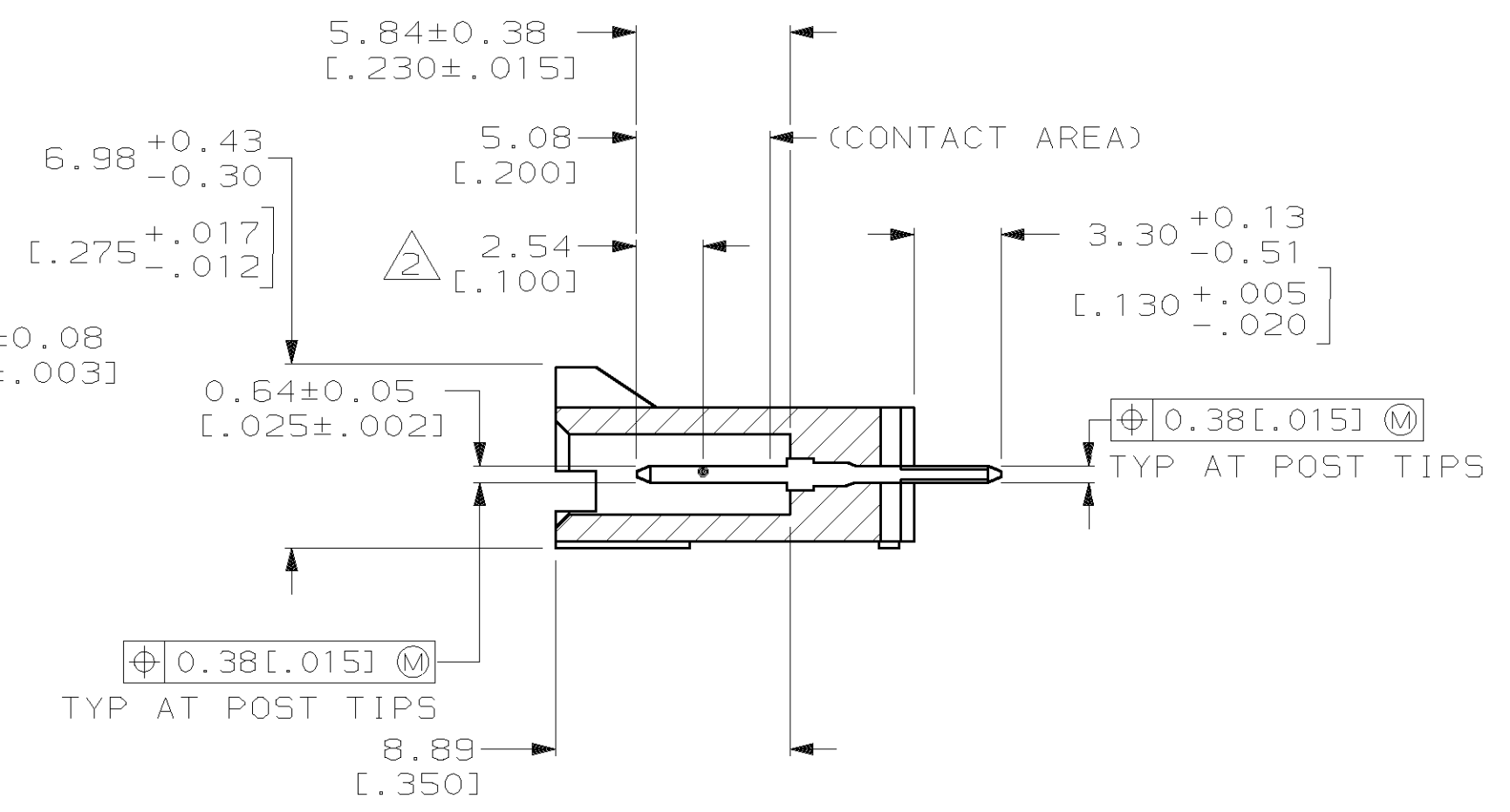
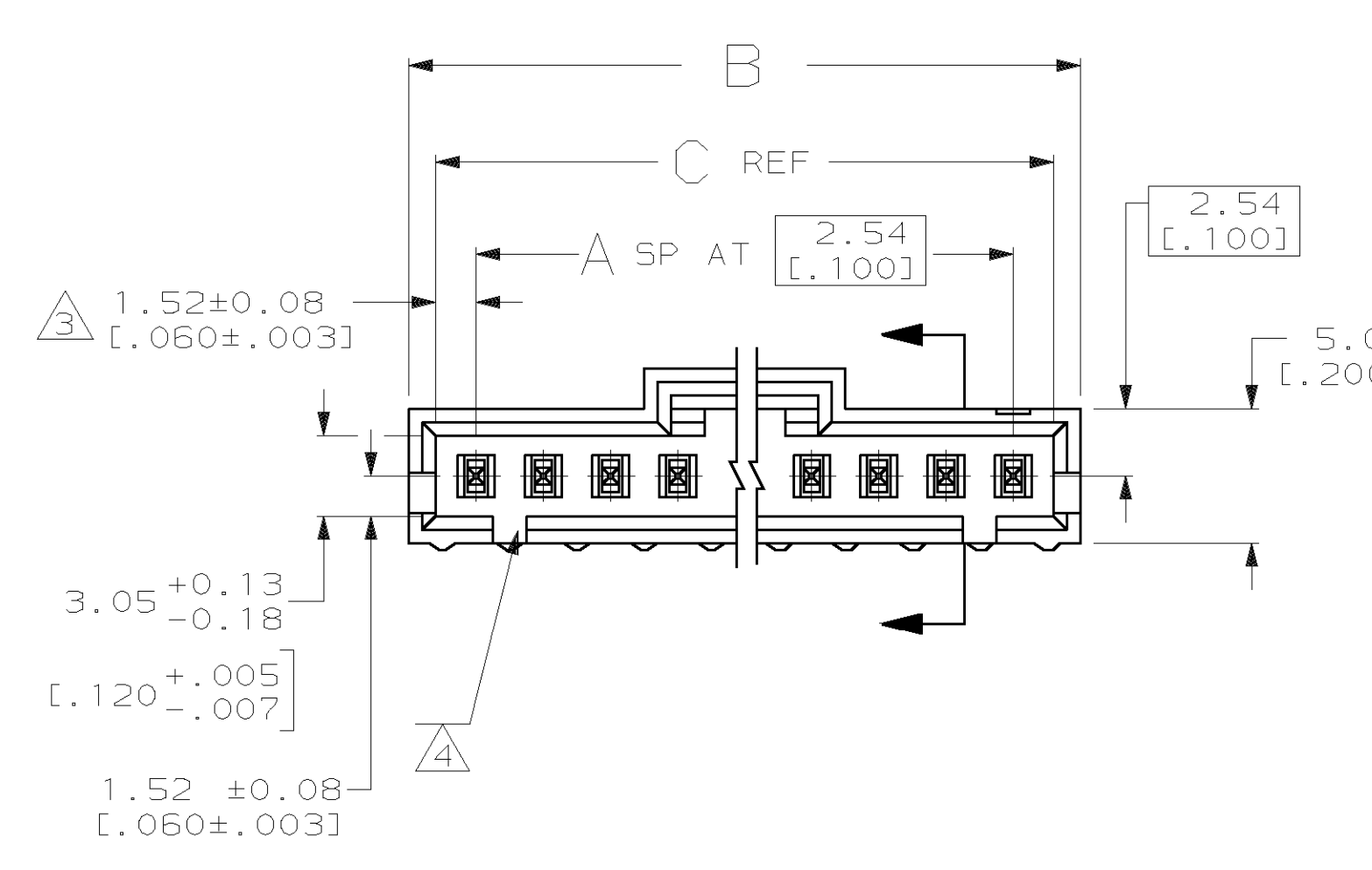


LOC	DIST	P	F	ZONE	LTR	DESCRIPTION	DATE	APPD
AD	00				F	REV PER AD-5122	-	-
					G	REV PER AD-5705	2-10-92	MR
					H	OBS PER 0010-0831-93	9-10-93	JG
					J	REV PER 0010-0782-93	2-16-94	JG
					K	REV PER 0010-1884-93	2-16-94	JG
					L	REV PER 0010-0104-95	3-3-95	JG
					M	REV PER 0010-0012-96	1-3-96	JG
					N	REV PER 0010-1114-95	1-25-96	JG
					P	REV PER 0310-0040-97	1-28-97	JG
					R	REV PER 0310-0302-97	8-25-97	JH
					S	REV PER EC 063C-0441-00	05FEB01	KW



- ① .00038[.000015] GOLD IN THE CONTACT AREA, .00254[.000100] MATTE TIN-LEAD ON REMAINDER OF CONTACT, ALL OVER .00127[.00050] NICKEL.
- ② POINT OF MEASUREMENT FOR PLATING THICKNESS.
- ③ THE NOTED DIMENSIONS APPLY AT THE INTERSECTION OF THE POST AND THE HOUSING.
- ④ ON ASSEMBLIES WITH FOUR OR MORE POSITIONS, TWO POLARIZATION SLOTS. ON ASSEMBLIES WITH TWO OR THREE POSITIONS, ONE POLARIZATION SLOT.
- ⑤ SELECT POST TAILS FORMED TO PROVIDE CONNECTOR HOLD DOWN UNTIL SOLDERED. CONFIGURATION ACCEPTS 0.69[.027]-2.03[.080] THICK PRINTED CIRCUIT BOARD. (SEE DETAIL Z).



C	B	A	NO. OF POSN	PART NO.
64.01	66.04	24	25	2-103670-4
[2.520]	[2.600]	23	24	2-103670-3
61.47	63.50	22	23	2-103670-2
[2.420]	[2.500]	21	22	2-103670-1
58.93	60.96	20	21	2-103670-0
[2.320]	[2.400]	19	20	1-103670-9
56.39	58.42	18	19	1-103670-8
[2.220]	[2.300]	17	18	1-103670-7
53.85	55.88	16	17	1-103670-6
[2.120]	[2.200]	15	16	1-103670-5
51.31	53.34	14	15	1-103670-4
[2.020]	[2.100]	13	14	1-103670-3
48.77	50.80	12	13	1-103670-2
[1.920]	[2.000]	11	12	1-103670-1
46.23	48.26	10	11	1-103670-0
[1.820]	[1.900]	9	10	103670-9
43.69	45.72	8	9	103670-8
[1.720]	[1.800]	7	8	103670-7
41.15	43.18	6	7	103670-6
[1.620]	[1.700]	5	6	103670-5
38.61	40.64	4	5	103670-4
[1.520]	[1.600]	3	4	103670-3
36.07	38.10	2	3	103670-2
[1.420]	[1.500]	1	2	103670-1
33.53	35.56			
[1.320]	[1.400]			
30.99	33.02			
[1.220]	[1.300]			
28.45	30.48			
[1.120]	[1.200]			
25.91	27.94			
[1.020]	[1.100]			
23.37	25.40			
[.920]	[1.000]			
20.83	22.86			
[.820]	[.900]			
18.29	20.32			
[.720]	[.800]			
15.75	17.78			
[.620]	[.700]			
13.21	15.24			
[.520]	[.600]			
10.67	12.70			
[.420]	[.500]			
8.13	10.16			
[.320]	[.400]			
5.59	7.62			
[.220]	[.300]			

DO NOT SCALE PRINT. UNLESS SPECIFIED DIMENSIONS IN mm [INCHES] TOLERANCES ON: 2 PLC DEC ± 0.13[.005] 3 PLC DEC ± - ANGLES ± -		DR 3-5-91 S. SHUEY	AMP Incorporated Harrisburg, PA 17105-3508	
MATERIAL HOUSING: FLAME RETARDANT THERMOPLASTIC COLOR - BLACK CONTACTS: BRASS		CHK 2-14-92 M. RIDER	NAME HDR ASSY, VERT, SINGLE ROW 2.54[.100]Ø, 0.64[.025] SQ POST, WITH PLZN & RETENTIVE POSTS, AMPMODU MTE	
FINISH		APPD 2-14-92 M. RIDER	SIZE D	CAGE CODE 00779
		PRODUCT SPEC 108-25034	DRAWING NO 103670	
		APPLICATION SPEC 114-25026	SCALE 4:1	SHEET 1 OF 1
		WEIGHT -		

