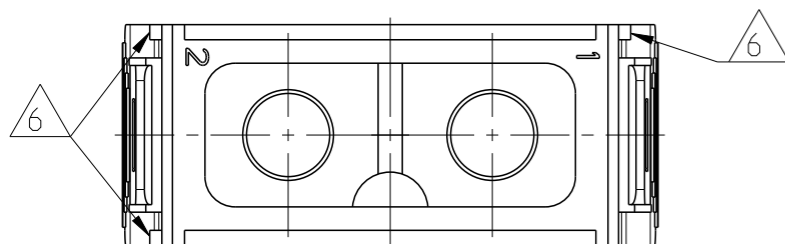


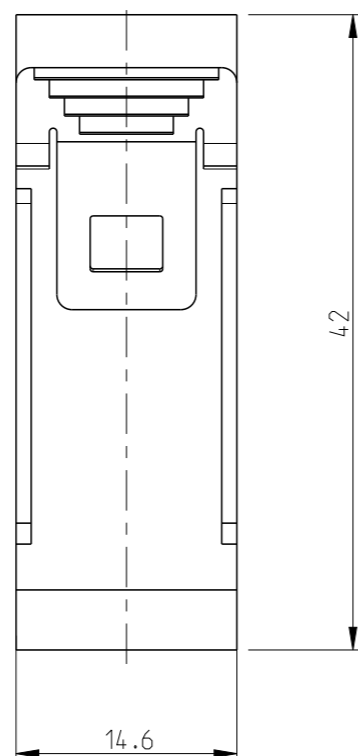
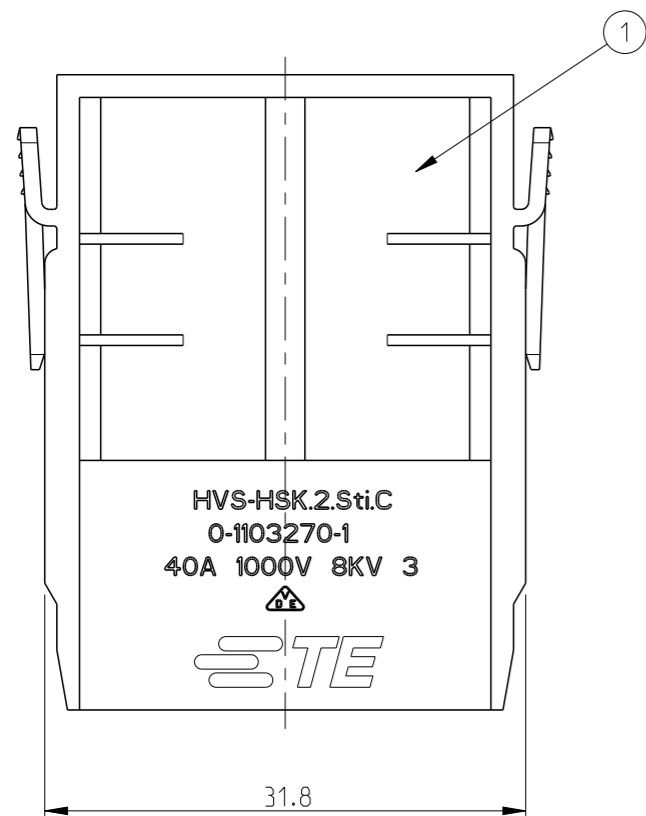
PN 0-1 As Shown

Contact arrangement  
view from connecting side

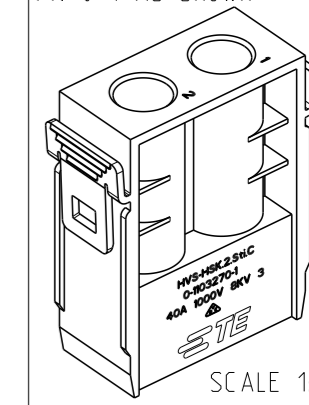


NOTES

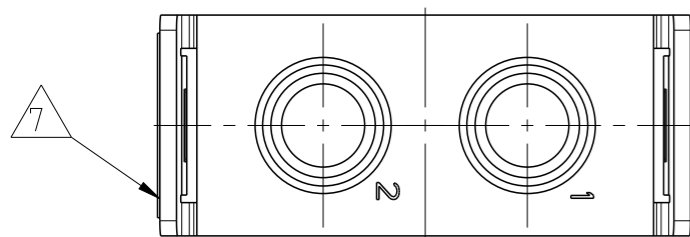
- 1 SUITABLE CRIMP CONTACTS: SERIES HSK  
CUSTOMER DRAWING: 1108757  
OUTER DIMENSIONS OF INSULATION: MAX. Ø8mm
- 2 SUITABLE MODULE FIXING FRAME: SERIES HVS SIZE 3 TO 8  
CUSTOMER DRAWING: 1103250
- 3 SUITABLE INSERTION TOOL:  
CUSTOMER DRAWING: 1102855
- 4 SUITABLE EXTRACTION TOOL:  
CUSTOMER DRAWING: 1102855
- 5 STANDARDS:  
DIN EN 61984; DIN EN 60664-1
- 6 POLARIZATION RIPS
- 7 MARKING OF POLARIZATION ACCORDING TO MARKING OF  
MODULE FRAME
- 8 PACKAGING:  
10 PIECES IN A CARTON



PN 0-1 As Shown



Contact arrangement  
view from termination side



QTY	DESCRIPTION	MATERIAL	COLOR	ITEM NO
1	MALE INSERT	PBT-GF10	LIGHT GREY	1

PN 0-1 / HVS-HSK.2.Sti.C

THIS DRAWING IS A CONTROLLED DOCUMENT.

DIMENSIONS:	TOLERANCES UNLESS OTHERWISE SPECIFIED:
mm	ISO 8075 DIN 152 2768 mm-E DIN 16901-120
	0 PLC ±
	1 PLC ±
	2 PLC ±
	3 PLC ±
	4 PLC ±
	ANGLES ±

MATERIAL	FINISH

DWN	20.02.2006
CHK	20.02.2006
APVD	20.02.2006
PRODUCT SPEC	108-74081
APPLICATION SPEC	114-74083
WEIGHT	

TE Connectivity		NAME	
		MALE INSERT HVS-HSK.2.STI.C	
SIZE	CAGE CODE	DRAWING NO	RESTRICTED TO
A3	00779	©=1103270	
CUSTOMER DRAWING		SCALE 2:1	SHEET 1 OF 1 REV D