

4

3

2

1

THIS DRAWING IS UNPUBLISHED.

RELEASED FOR PUBLICATION

2000

© COPYRIGHT 2000

ALL RIGHTS RESERVED.

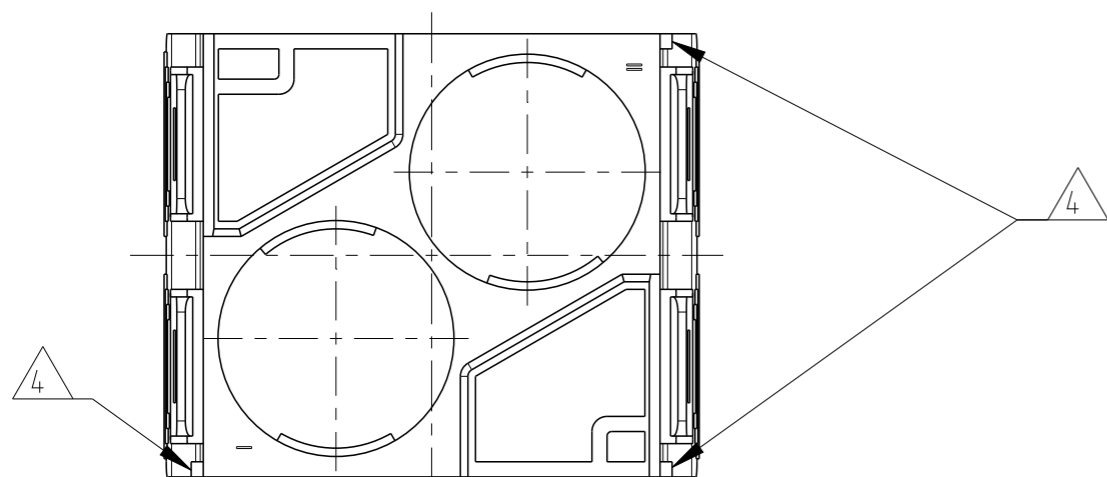
LOC
AI

DIST

REVISIONS

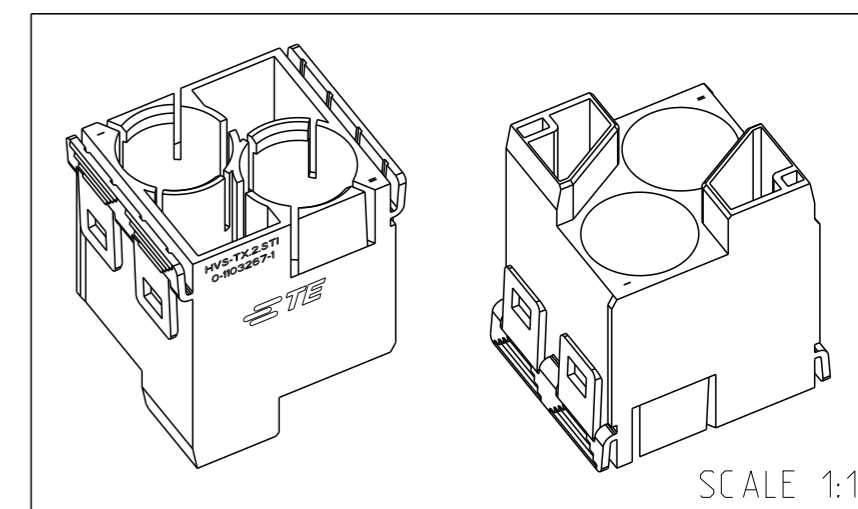
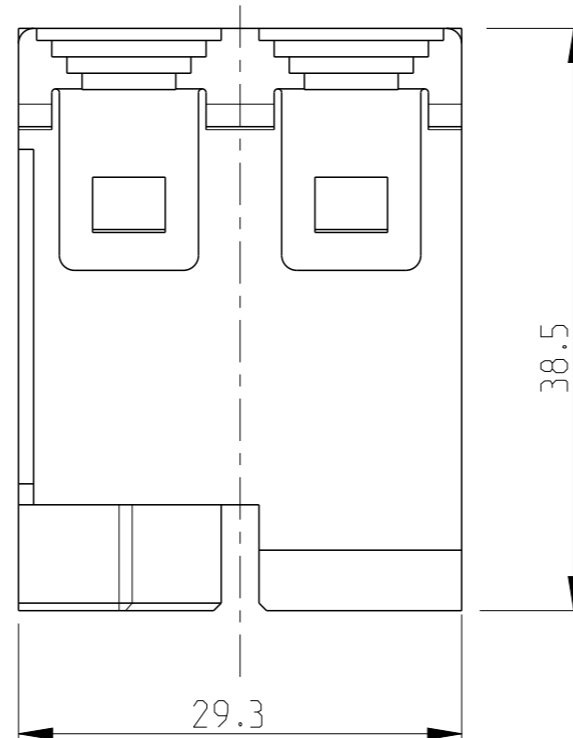
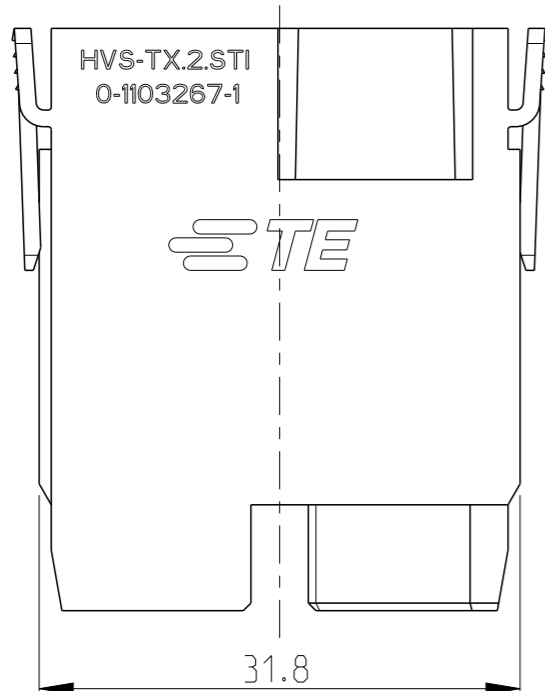
P	LTR	DESCRIPTION	DATE	DWN	APVD
	C	ECR-15-007676	26MAY2015	GSK	JB

CONTACT ARRANGEMENT VIEW FROM CONNECTING SIDE

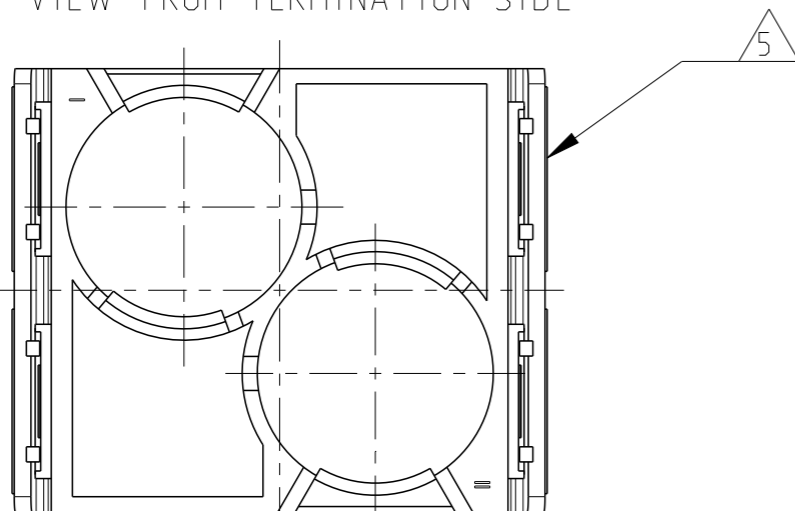


NOTES

- 1 SUITABLE CRIMP CONTACTS: SERIES TX
CATALOG:889745
- 2 SUITABLE MODULE FIXING FRAME: SERIES HVS SIZE 3 TO 8
CUSTOMER DRAWING: 1103250
- 3 STANDARDS:
DIN EN 61984; DIN EN 60664-1
- 4 POLARIZATION RIBS
- 5 MARKING OF POLARIZATION ACCORDING TO MARKING OF
MODULE FRAME
- 6 PACKAGING:
10 PIECES IN A CARTON



CONTACT ARRANGEMENT VIEW FROM TERMINATION SIDE



PN 0-1 AS SHOWN

QTY	DESCRIPTION	MATERIAL	COLOR	ITEM NO
1	MALE INSERT	PBT-GF10	LIGHT GREY	1

HVS-TX.2.STI

THIS DRAWING IS A CONTROLLED DOCUMENT.

DIMENSIONS: mm		TOLERANCES UNLESS OTHERWISE SPECIFIED:	
		0 PLC ± 1 PLC ± 2 PLC ± 3 PLC ± 4 PLC ± ANGLES ±	
MATERIAL		FINISH	
7		8	

DWN	20.02.2006
CHK	20.02.2006
APVD	20.02.2006
NAME	T.SCHNURPFIL
PRODUCT SPEC	108-74080
APPLICATION SPEC	114-74082
WEIGHT	

STE TE Connectivity

NAME MALE INSERT HVS-TX.2.STI				RESTRICTED TO
SIZE	CAGE CODE	DRAWING NO		
A3	00779	©-1103267		
CUSTOMER DRAWING		SCALE	SHEET	REV
		5:1	1 OF 1	C