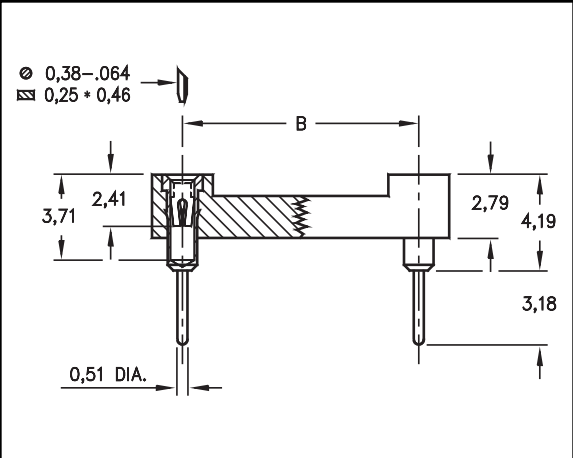


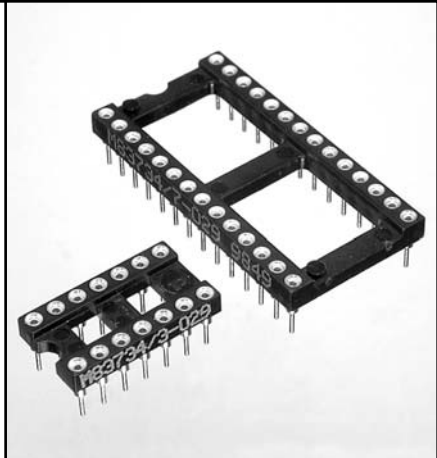


MILITARY DUAL-IN-LINE SOCKETS
MIL-S-83734 APPROVED
Solder Tail, Open Frame

Series 110...530



- Sockets are XY stackable.
- Machined outer sleeve with Hi-Rel, BeCu #30 inner contact.
- Socket pins feature closed-entry construction eliminating any solder/flux wicking problems.
- Packaged in tubes compatible with automatic insertion equipment.
- Series 110 use MM #1001 pins. See page 136 for details.
- Insulators are high temperature thermoplastic.



Total number of pins				Quantity per tube	Ordering Information	
	A	B	C		Mill-Max Part Number	Military Part Number
8	10,1	7,62	10,1	50	110-XX-308-41-530000	M83734/2-YYY
14	17,7	7,62	10,1	28	110-XX-314-41-530000	M83734/3-YYY
16	20,3	7,62	10,1	25	110-XX-316-41-530000	M83734/4-YYY
18	22,8	7,62	10,1	22	110-XX-318-41-530000	M83734/5-YYY
20	25,3	7,62	10,1	20	110-XX-320-41-530000	M83734/13-YYY
22	27,8	10,16	12,7	18	110-XX-422-41-530000	M83734/6-YYY
24	30,4	15,24	17,7	16	110-XX-624-41-530000	M83734/8-YYY
28	35,5	15,24	17,7	14	110-XX-628-41-530000	M83734/7-YYY
40	50,8	15,24	17,7	10	110-XX-640-41-530000	M83734/10-YYY
48	60,9	15,24	17,7	8	110-XX-648-41-530000	M83734/14-YYY
64	81,2	22,86	25,3	6	110-XX-964-41-530000	M83734/15-YYY

For Electrical, Mechanical & Environmental Data, See pg. 4

XX=Plating Code See Below

SEE PAGE 35 FOR COMPLETE QPL

SPECIFY MILL-MAX PLATING CODE XX=	33	83	88
FOR MILITARY CODE YYY=	028	029	030
Sleeve (Pin)	0,76µm Au	7,62µm Sn/Pb	7,62µm Sn/Pb
Contact (Clip)	0,76µm Au	0,76µm Au	2,54µm Sn/Pb