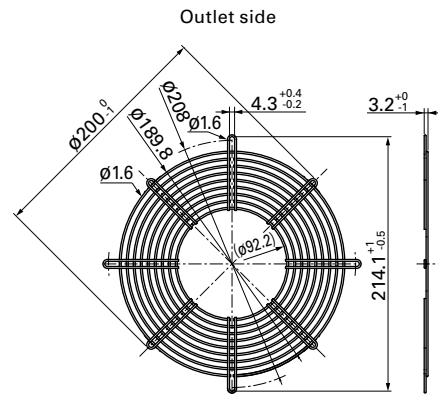
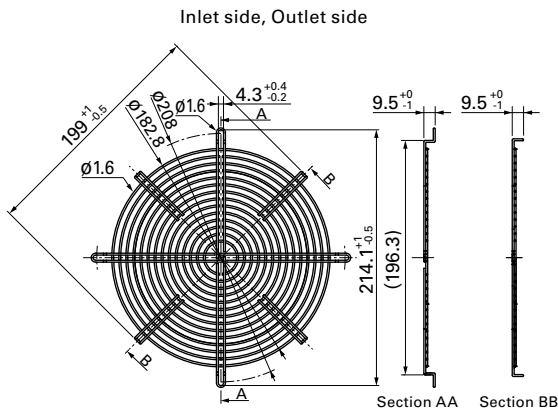


**ø200 mm type**

Model no.	Surface treatment	Mass (g)	Applicable model no.
109-1102	Nickel-chrome plating (silver)	100	9GV2048P0G201

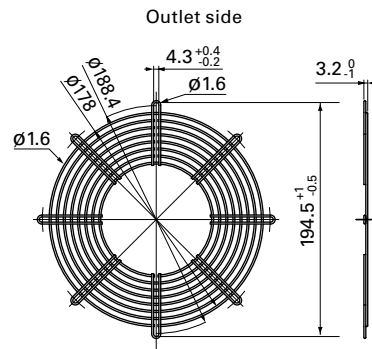
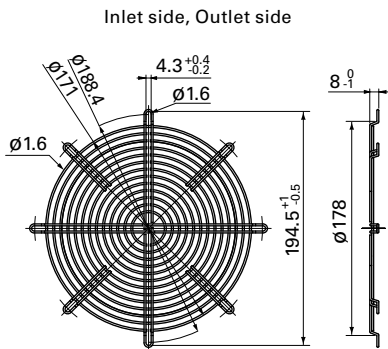
Model no.	Surface treatment	Mass (g)	Applicable model no.
109-1103	Nickel-chrome plating (silver)	80	9GV2048P0G201



**ø200 mm type**

Model no.	Surface treatment	Mass (g)	Applicable model no.
109-720	Nickel-chrome plating (silver)	84	109E2024□□□□
109-720H	Cation electropainting (black)		9EC20□□□□001

Model no.	Surface treatment	Mass (g)	Applicable model no.
109-721	Nickel-chrome plating (silver)	66	109E2024□□□□
109-721H	Cation electropainting (black)		9EC20□□□□001



**Mounting example**

Axial fan

