

Contact insert module - HC-M-DSUB-09/2-CT-F



1079793

<https://www.phoenixcontact.com/pc/products/1079793>

Please be informed that the data shown in this PDF document is generated from our Online Catalog. Please find the complete data in the user documentation. Our General Terms of Use for Downloads are valid.



HEAVYCON socket contact insert module, D-SUB 9, crimp connection, for two conductors, without crimp contact

Commercial Data

Item number	1079793
Packing unit	1 pc
Minimum order quantity	1 pc
Product Key	BF7ACB
Catalog Page	Page 587 (C-2-2019)
GTIN	4055626800431
Weight per Piece (including packing)	35.1 g
Weight per Piece (excluding packing)	35,1 g
Customs tariff number	85389099
Country of origin	CN

Contact insert module - HC-M-DSUB-09/2-CT-F



1079793

<https://www.phoenixcontact.com/pc/products/1079793>

Technical Data

Notes

General	For module carrier frames HC-M-B...-MF-H/HC-M-B...-MF-B, for two conductors
General	Connectors may be operated only when there is no load/voltage.
General	The use of guide pins (HC-CST) and sockets (HC-CBU) is recommended to prevent tip collision due to misalignment.

Mounting

Assembly instructions	To ensure correct use, installation in housing with IP54 protection or better is required
-----------------------	---

Product properties

Product type	Modular contact insert
Number of positions	9
Connection profile	9
Application	Data
Number of module slots	1
Type	D-SUB 9
Contact type	turned
Series	HC-M-DSUB-C

Insulation characteristics

Overvoltage category	III
Degree of pollution	3

Connection data

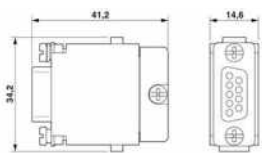
Connection technology

Connection technology	Crimp connection
-----------------------	------------------

Conductor connection

Conductor cross section	0.09 mm ² ... 0.82 mm ²
Connection cross section AWG	28 ... 18
Stripping length of the individual wire	4.2 mm

Dimensions

Dimensional drawing	
Width	34.2 mm
Height	35.7 mm

Contact insert module - HC-M-DSUB-09/2-CT-F



1079793

<https://www.phoenixcontact.com/pc/products/1079793>

Mechanical characteristics

Minimum housing height	52 mm
Contact diameter	1 mm

Electrical properties

Rated voltage (III/3)	48 V
Rated surge voltage	0.8 kV
Rated current	5 A

Mechanical properties

Mechanical data

Insertion/withdrawal cycles	≥ 500
-----------------------------	-------

Material specifications

Material	Zinc alloy
Flammability rating according to UL 94	V0
Contact material	Copper alloy
Contact surface material	Ag
Contact carrier material	PC

Environmental and real-life conditions

Ambient conditions

Ambient temperature (operation)	-40 °C ... 125 °C
---------------------------------	-------------------

Contact insert module - HC-M-DSUB-09/2-CT-F

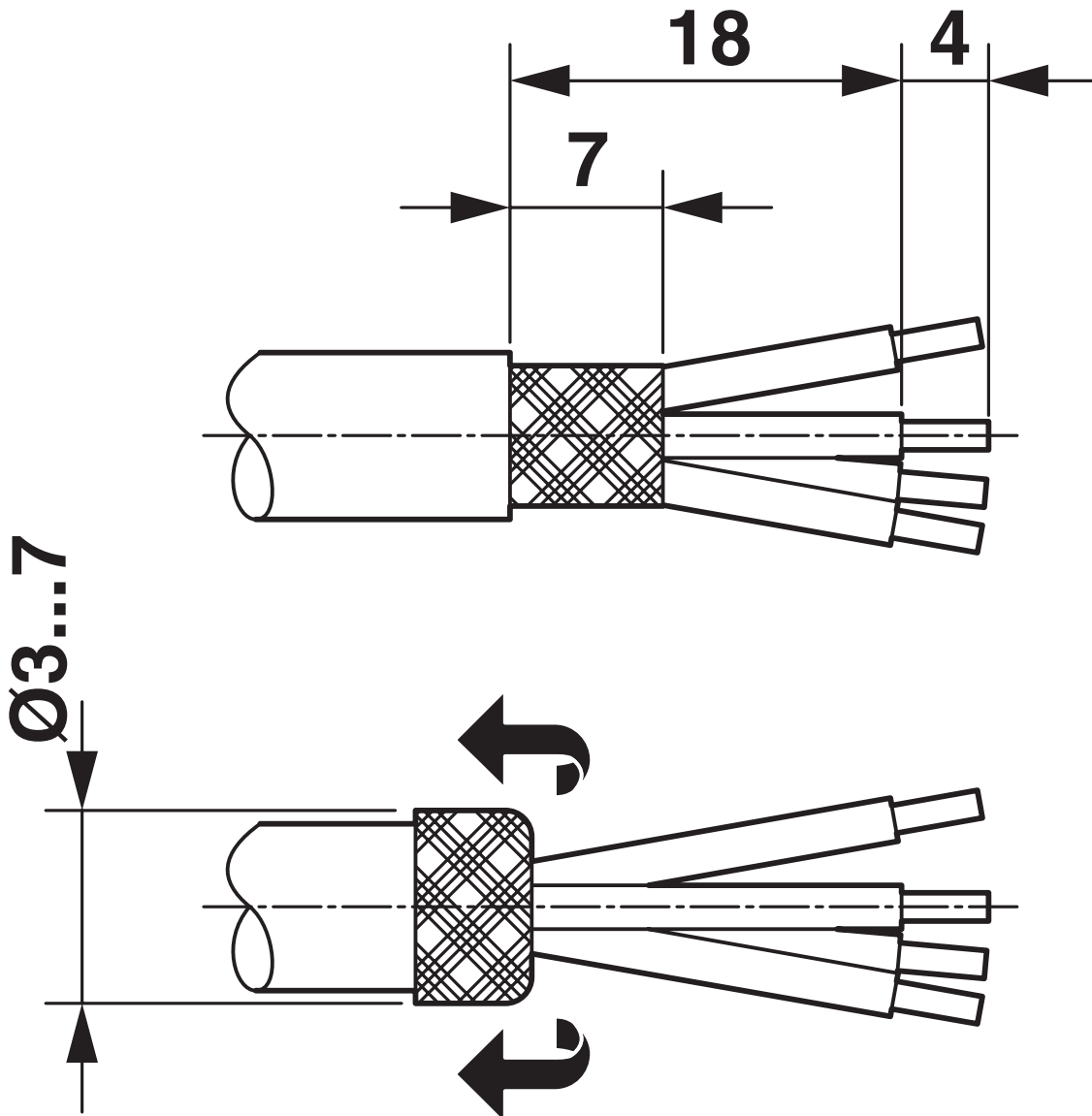


1079793

<https://www.phoenixcontact.com/pc/products/1079793>

Drawings

Dimensional drawing

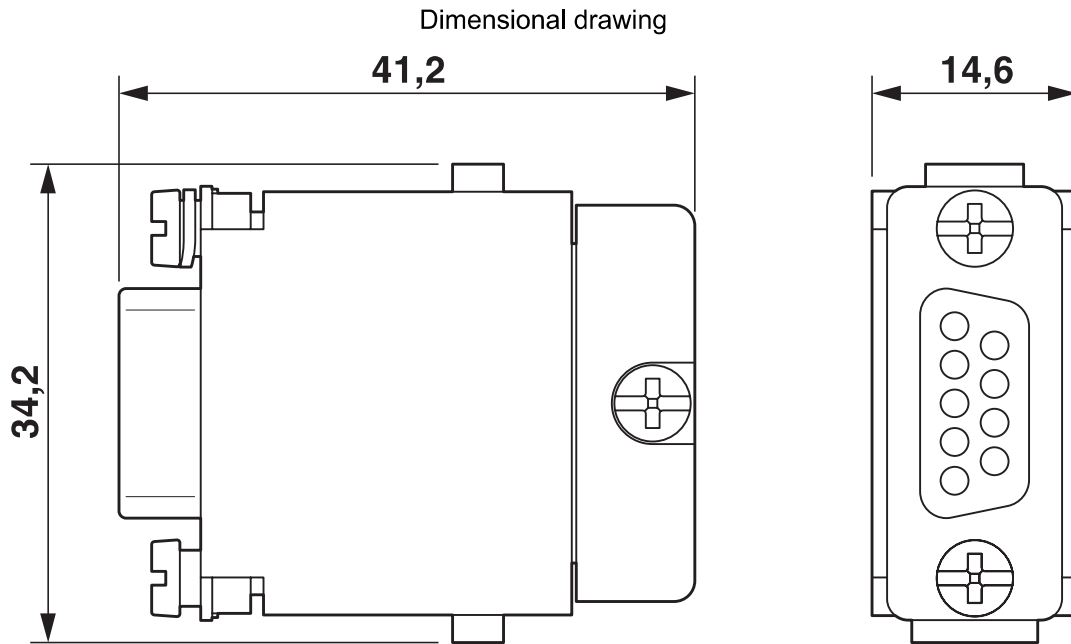


Stripping length specifications, pin assignment

Contact insert module - HC-M-DSUB-09/2-CT-F

1079793

<https://www.phoenixcontact.com/pc/products/1079793>



Dimensional drawing

Contact insert module - HC-M-DSUB-09/2-CT-F



1079793

<https://www.phoenixcontact.com/pc/products/1079793>

Approvals

DNV

Approval ID: TAE000037S

ERC

EAC

Approval ID: RU C-DE.AI30.B.01102

ERC

EAC

Approval ID: RU C-DE.BL08.B.00511

Contact insert module - HC-M-DSUB-09/2-CT-F



1079793

<https://www.phoenixcontact.com/pc/products/1079793>

Classifications

ECLASS

ECLASS-9.0	27440218
ECLASS-10.0.1	27440218
ECLASS-11.0	27440218

ETIM

ETIM 8.0	EC000438
----------	----------

UNSPSC

UNSPSC 21.0	39121400
-------------	----------

Contact insert module - HC-M-DSUB-09/2-CT-F



1079793

<https://www.phoenixcontact.com/pc/products/1079793>

Environmental Product Compliance

China RoHS

Environmentally Friendly Use Period = 50 years

For information on hazardous substances, refer to the manufacturer's declaration available under "Downloads"