

Protective covers - HC-COM-BCFS-PL-BK - 1079396

Please be informed that the data shown in this PDF Document is generated from our Online Catalog. Please find the complete data in the user's documentation. Our General Terms of Use for Downloads are valid (<http://phoenixcontact.com/download>)



Protective cover COM, for single locking latch, protective cover material: PA, height: 24.5 mm, Standard, for pin inserts



Key Commercial Data

Packing unit	1
GTIN	
GTIN	4055626799223
Custom tariff number	39269097

Technical data

General

Size	COM
------	-----

Ambient conditions

Degree of protection (IP)	IP66
Ambient temperature (operation)	-40 °C ... 125 °C

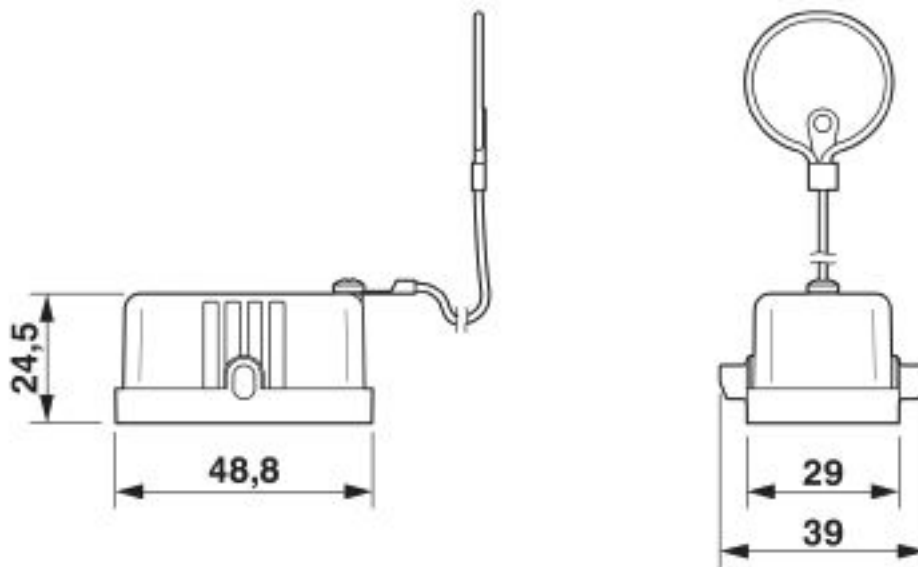
Standards and Regulations

Flammability rating according to UL 94	V0
--	----

Drawings

Protective covers - HC-COM-BCFS-PL-BK - 1079396

Dimensional drawing



Classifications

eCl@ss

eCl@ss 4.0	27140816
eCl@ss 4.1	27140816
eCl@ss 5.0	27143424
eCl@ss 5.1	27143400
eCl@ss 6.0	27261200
eCl@ss 7.0	27440208
eCl@ss 8.0	27440208
eCl@ss 9.0	27440208

ETIM

ETIM 4.0	EC002314
ETIM 5.0	EC000437
ETIM 6.0	EC002314
ETIM 7.0	EC002314

UNSPSC

UNSPSC 6.01	30212113
UNSPSC 7.0901	39121712
UNSPSC 11	39121712
UNSPSC 12.01	39121712
UNSPSC 13.2	39121421
UNSPSC 18.0	39121421
UNSPSC 19.0	39121421

Protective covers - HC-COM-BCFS-PL-BK - 1079396

Classifications

UNSPSC

UNSPSC 20.0	39121421
UNSPSC 21.0	39121421