

## Protective covers - HC-COM-HCWS-PL-BK - 1079395

Please be informed that the data shown in this PDF Document is generated from our Online Catalog. Please find the complete data in the user's documentation. Our General Terms of Use for Downloads are valid (<http://phoenixcontact.com/download>)




Protective cover COM, with single locking latch, protective cover material: PA, height: 20.5 mm, Standard, for pin inserts



COMPLIES WITH

### Key Commercial Data

Packing unit	1
GTIN	 4 0 5 5 6 2 6 7 9 9 2 1 6
GTIN	4055626799216
Custom tariff number	39269097

### Technical data

#### General

Size	COM
------	-----

#### Ambient conditions

Degree of protection (IP)	IP66
Ambient temperature (operation)	-40 °C ... 125 °C

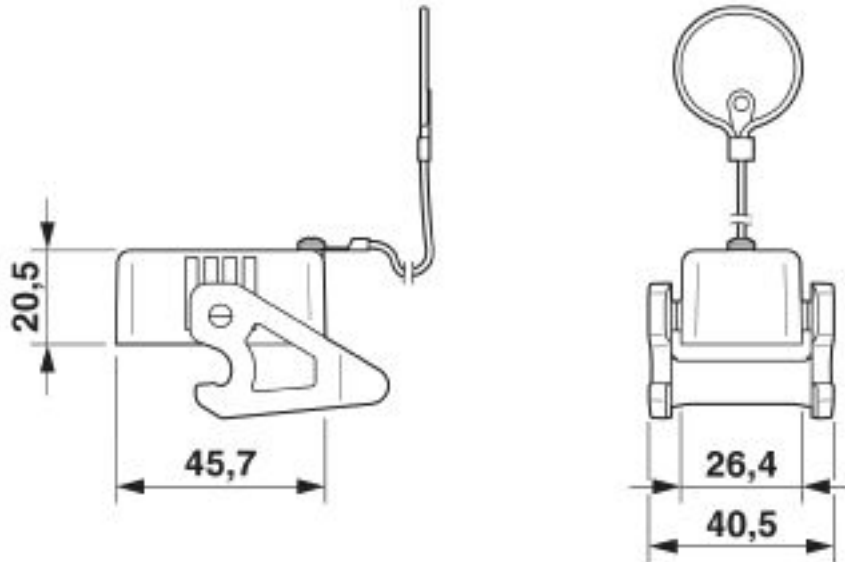
#### Standards and Regulations

Flammability rating according to UL 94	V0
--	----

### Drawings

## Protective covers - HC-COM-HCWS-PL-BK - 1079395

Dimensional drawing



### Classifications

#### eCl@ss

eCl@ss 8.0	27440208
eCl@ss 9.0	27440208

#### ETIM

ETIM 5.0	EC000437
ETIM 6.0	EC002314
ETIM 7.0	EC002314