

## Protective covers - HC-COM-HCWS-PLR-BK - 1079394

Please be informed that the data shown in this PDF Document is generated from our Online Catalog. Please find the complete data in the user's documentation. Our General Terms of Use for Downloads are valid (<http://phoenixcontact.com/download>)




Protective cover COM, with single locking latch, protective cover material: PA, height: 20.5 mm, Standard, for socket inserts



COMPLIES WITH

### Key Commercial Data

Packing unit	1
GTIN	 4 055626 799209
GTIN	4055626799209
Custom tariff number	39269097

### Technical data

#### General

Size	COM
------	-----

#### Ambient conditions

Degree of protection (IP)	IP66
Ambient temperature (operation)	-40 °C ... 125 °C

#### Material data

Seal material	NBR
---------------	-----

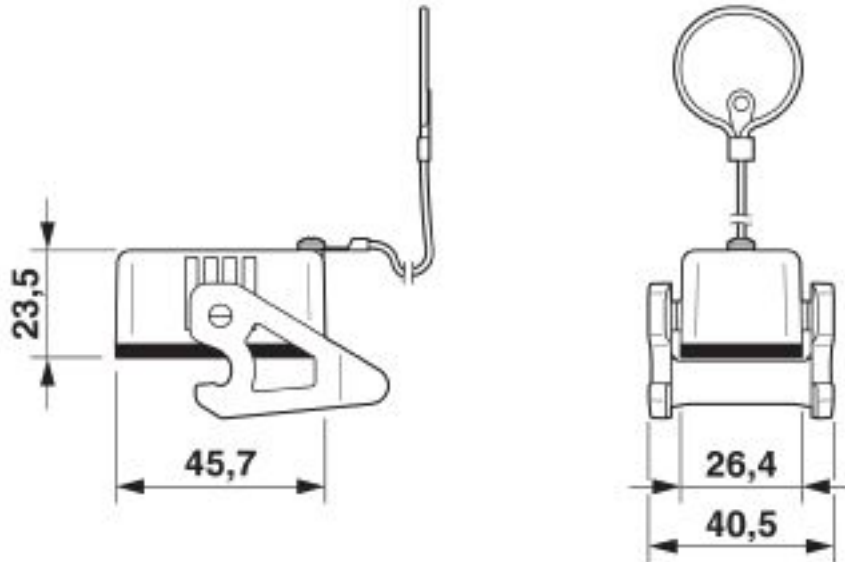
#### Standards and Regulations

Flammability rating according to UL 94	V0
--	----

### Drawings

## Protective covers - HC-COM-HCWS-PLR-BK - 1079394

Dimensional drawing



### Classifications

#### eCl@ss

eCl@ss 8.0	27440208
eCl@ss 9.0	27440208

#### ETIM

ETIM 5.0	EC000437
ETIM 6.0	EC002314
ETIM 7.0	EC002314