

SAI-4-F 5P M12 L 5M**Weidmüller Interface GmbH & Co. KG**

Klingenbergstraße 26

D-32758 Detmold

Germany

www.weidmueller.com



M12 distributors are available in various versions. The 4, 6 or 8 M12 slots are in 4 or 5 pole design. The group outlet is designed as a fixed cable version, hood version for connection by the user, or with M23. Special versions are also available. For instance, there are 1-to-1 distributors for use with any connection types, or distributors approved for Ex Zone 1.

General ordering data

Version	Fixed cable version, M12, 30 V, A-coded, LED: Yes, LED initiator: Yes, Wiring type: PNP, 5 m
Order No.	1070630000
Type	SAI-4-F 5P M12 L 5M
GTIN (EAN)	4032248826827
Qty.	1 pc(s).

Creation date March 12, 2024 6:10:20 PM CET

Catalogue status 09.03.2024 / We reserve the right to make technical changes.

SAI-4-F 5P M12 L 5M

Weidmüller Interface GmbH & Co. KG

Klingenbergstraße 26

D-32758 Detmold

Germany

www.weidmueller.com

Technical data

Dimensions and weights

Depth	144 mm	Depth (inches)	5.669 inch
Height	18.2 mm	Height (inches)	0.717 inch
Net weight	594 g		

Temperatures

Operating temperature	-20 - 80°C
-----------------------	------------

Connection data

Sheathing stripping length	100 mm	Distributor outlet	Fixed cable version
----------------------------	--------	--------------------	---------------------

Electrical data

Rated voltage, min.	10 V	Rated voltage, max.	30 V
Test voltage	1 kV	Max. current-carrying capacity per slot	3 A
Total current	9 A	Current per signal	2 A
Electrical isolation available	No	Insulation strength	10 ⁹ Ω

General technical data

Plug-in station coding	A-coded	Protection degree	IP68
Number of poles	5	Number of contact sockets	4
Connection thread	M12	Pollution severity	3
Fire behaviour	V-0	Plugging cycles	≤ 50
LED	Yes	LED initiator	Yes
LED colour for indicating operation	green	LED colour for I/O function	yellow

Material data

Housing main material	PBT	Material of distributor	Plastic
Housing colour	grey, RAL 7032	Screw socket	Nickel-plated CuZn
Contact material	CuZn	Contact surface	Gold-plated
Contact carrier material	PBT (UL 94 V0)		

Technical data cable

Bending cycles	2 Mio	Bending radius, min., moving	10 x cable diameter
Colour coding	white, green, yellow, grey, grey / pink, red / blue, white / green, brown / green, blue, brown, Green / yellow	Halogen	No
Number of poles	5	O.D.	8.2 mm
Sheath material	PUR	Sheathing colour	black
Shielded	No	Wire cross section (Print/Online)	8 x 0.34 mm ² + 3 x 1.0 mm ²
Cable length	5 m	Suitable for cable carriers	Yes

SAI-4-F 5P M12 L 5M

Weidmüller Interface GmbH & Co. KG
Klingenbergstraße 26
D-32758 Detmold
Germany

www.weidmueller.com

Technical data

Classifications

ETIM 6.0	EC002585	ETIM 7.0	EC002585
ETIM 8.0	EC002585	ETIM 9.0	EC002585
ECLASS 9.0	27-44-01-08	ECLASS 9.1	27-44-01-08
ECLASS 10.0	27-44-01-08	ECLASS 11.0	27-44-01-08
ECLASS 12.0	27-44-01-08	ECLASS 13.0	27-44-01-08

Approvals

Approvals



ROHS

Conform

Downloads

Engineering Data	CAD data – STEP
Catalogues	Catalogues in PDF-format
Brochures	FL FIELDWIRING EN FL FIELDWIRING EN

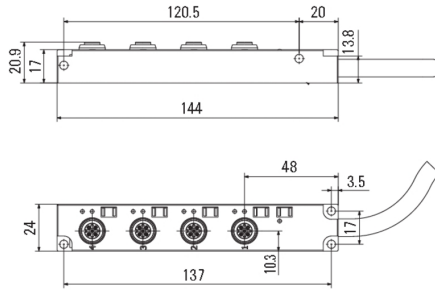
SAI-4-F 5P M12 L 5M

Weidmüller Interface GmbH & Co. KG
 Klingenbergstraße 26
 D-32758 Detmold
 Germany

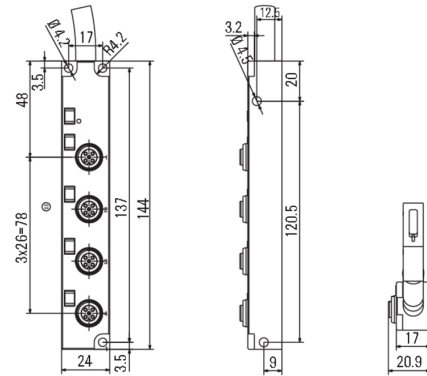
www.weidmueller.com

Drawings

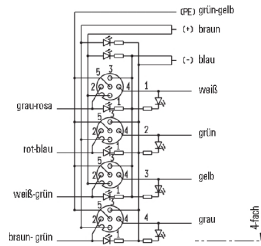
Dimensioned drawing



Dimensioned drawing



Wiring diagram



SAI-4-F 5P M12 L 5M

Weidmüller Interface GmbH & Co. KG
 Klingenbergstraße 26
 D-32758 Detmold
 Germany

www.weidmueller.com

Accessories

Screwty® cable gland tool with torque function



The ideal tool for any application

Screwty® is the ideal, all-purpose tool for tightening all common sensor and actuator cables. Even difficult-to-reach round plugs are accessible using the Screwty®. A simple turning movement tightens and loosens the connectors without the need for excessive force. The Screwty® is a unique and global solution since it fits with most cables and plugs from other vendors (over 90 %). The Screwty® consists of a handle with a conventional 1/4" adapter. Thus it can be used for all sizes: for M12 and M8 round plug-in connectors, and for M12F and M8F customisable plugs and sockets, as well as for all M23 plugs and sockets.

General ordering data

Type	SCREWTY SET -DM	Version	Packaging
Order No.	1920000000	Cable gland tool for M8, M12 lines and connectors	Cardboard box
GTIN (EAN)	4032248436859		
Qty.	1 pc(s).		

Custom printing



WS markers are the perfect match for the W-series connectors. Thanks to their system compatibility, the WS tags can also be used with the I-series and the Z-series. The large marking surfaces do not only permit long character strings but also multi-line text. WS markers are ideal for labels with long, customised character strings. Thanks to the proven MultiCard format, printing with PrintJet CONNECT oder/or Plotter is possible.

- Can be fitted in strips or individually
- Markers in proven MultiCard format

For custom printing: Please send us a file of our labeling software M-Print PRO or M-Print PRO Online (without installation) for your labeling specifications.

General ordering data

Type	WS 10/5 MC SDR	Version
Order No.	1635010000	WS, Terminal marker, 10 x 5 mm, Pitch in mm (P): 5.00 Weidmueller,
GTIN (EAN)	4008190456634	Allen-Bradley, To customer specification
Qty.	144 pc(s).	

Data sheet**SAI-4-F 5P M12 L 5M**

Weidmüller Interface GmbH & Co. KG
Klingenbergstraße 26
D-32758 Detmold
Germany

www.weidmueller.com

Accessories**M12**

Protective caps protect unassigned plug-in stations against external influences.

General ordering data

Type	SAI-SK-M12	Version
Order No.	9456050000	Protected component assemblies, Protective cap
GTIN (EAN)	4008190304058	
Qty.	30 pc(s).	