

1060888-1 ✓ ACTIVE

TE Internal #: 1060888-1

RF Connectors, MCX RF Interface, Plug, RF Connector Mated

Outer Diameter (Approximate) .149 in [3.78 mm], 50 Ω

[View on TE.com >](#)



Connectors > RF & Coax Connectors > RF Connectors



RF Interface: **MCX**

RF Connector Style: **Plug**

RF Connector Mated Outer Diameter (Approximate): **3.78 mm [.149 in]**

Impedance: **50 Ω**

Compatible With RF Cable Type: **RG 178, RG 196**

Features

Product Type Features

RF Interface	MCX
RF Connector Style	Plug
Compatible With RF Cable Type	RG 178, RG 196
Connector System	Cable-to-Cable
Sealable	No
Connector & Contact Terminates To	Wire & Cable

Configuration Features

Number of Positions	1
Number of Coaxial Contacts	1

Electrical Characteristics

Impedance	50 Ω
-----------	-------------

Body Features

Body Shape	Circular
Cable Connector Orientation	Right Angle
Body Material	Brass
Body Material Finish	Plated
Body Plating Material	Nickel

Contact Features

RF Connector Center Contact Underplating Material	Copper, Nickel
---	----------------



1397 μin

RF Connector Center Contact Plating Material	Nickel
--	--------

RF Connector Center Contact Material	Brass
--------------------------------------	-------

Termination Features

Termination Method to Wire & Cable	Crimp
------------------------------------	-------

Mechanical Attachment

RF Connector Coupling Mechanism	Snap-On
---------------------------------	---------

Detent	Without
--------	---------

Dimensions

RF Connector Mated Outer Diameter (Approximate)	3.78 mm [.149 in]
---	-------------------

Usage Conditions

Operating Temperature Range	-65 – 165 °C [-85 – 329 °F]
-----------------------------	-----------------------------

Operation/Application

Operating Frequency	4 GHz
---------------------	-------

Packaging Features

Packaging Method	Bag
------------------	-----

Other

Dielectric Material	TFE Fluorocarbon
---------------------	------------------

Product Compliance

[For compliance documentation, visit the product page on TE.com>](#)

EU RoHS Directive 2011/65/EU	Compliant with Exemptions
------------------------------	---------------------------

EU ELV Directive 2000/53/EC	Compliant with Exemptions
-----------------------------	---------------------------

China RoHS 2 Directive MIIT Order No 32, 2016	Restricted Materials Above Threshold
---	--------------------------------------

EU REACH Regulation (EC) No. 1907/2006	Current ECHA Candidate List: JUN 2020 (209) Candidate List Declared Against: JAN 2020 (205) Pb (3.7% in Component Part)
--	---

Article Safe Usage Statements:
Do not eat, drink or smoke when using this product. Wash thoroughly after handling. Recycle if possible and dispose of the article by following all applicable governmental regulations relevant to your geographic location.

Halogen Content	Low Bromine/Chlorine - Br and Cl < 900 ppm per homogenous material. Also BFR /CFR/PVC Free
-----------------	--

Solder Process Capability	Not applicable for solder process capability
---------------------------	--

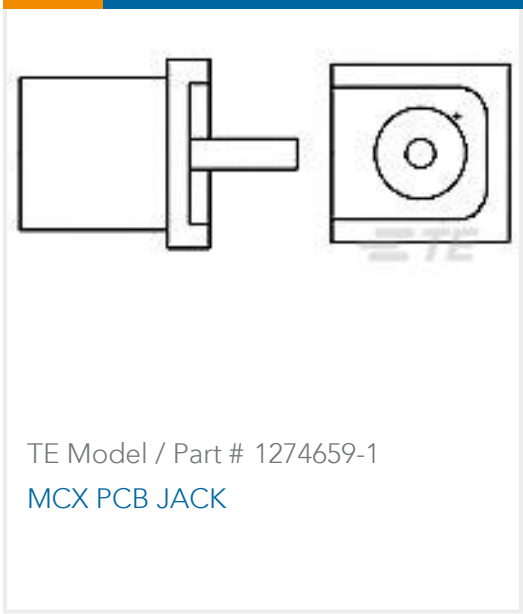
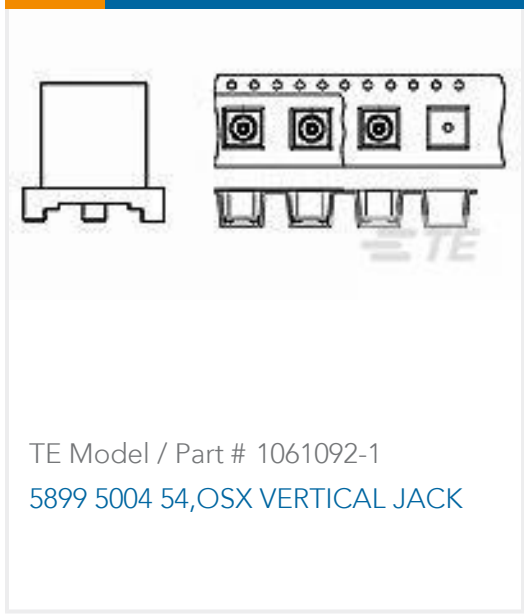
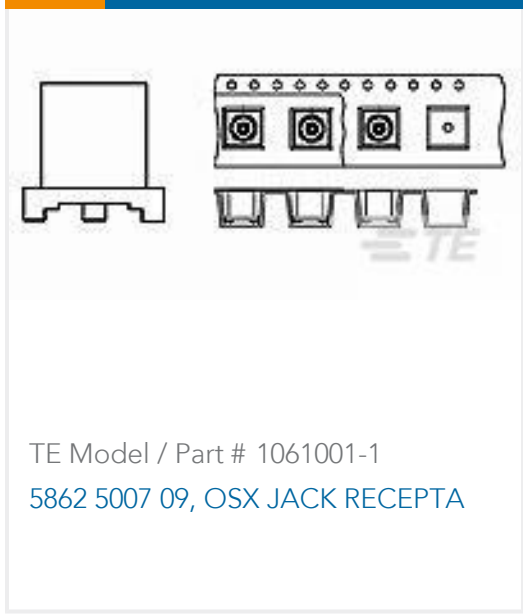
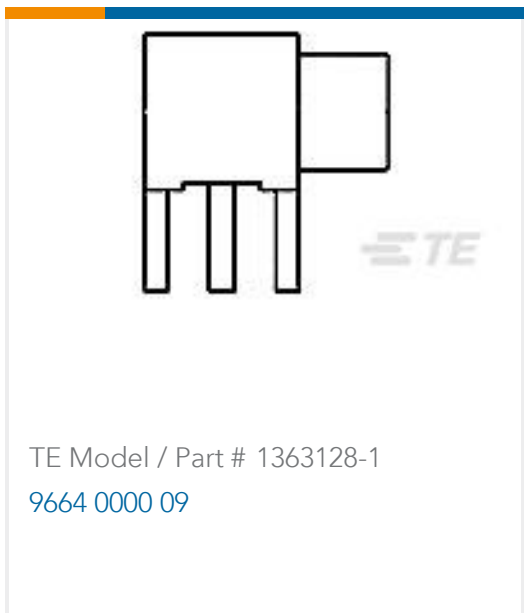


Product Compliance Disclaimer

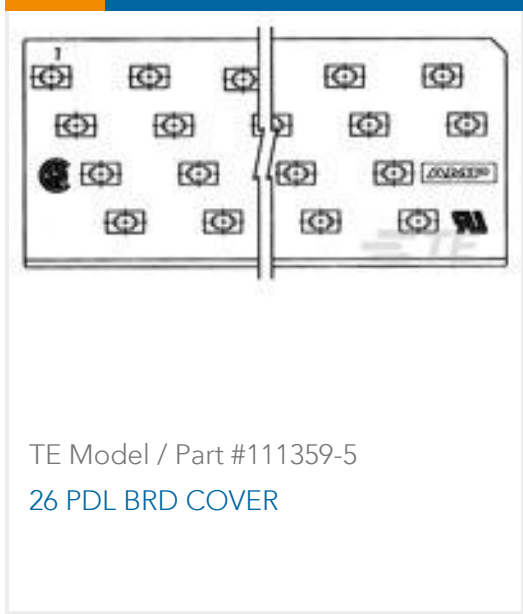
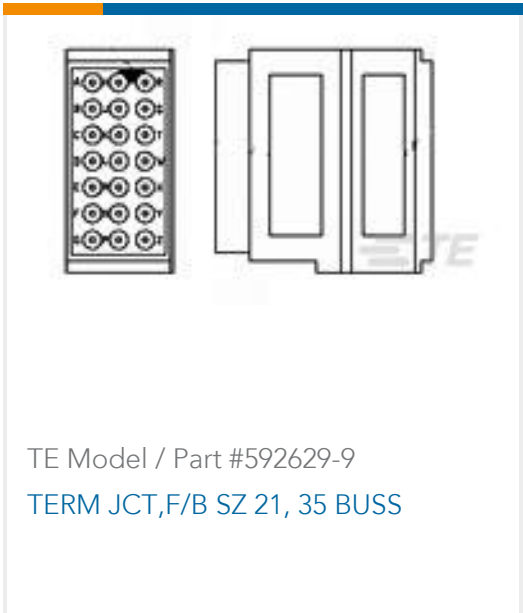
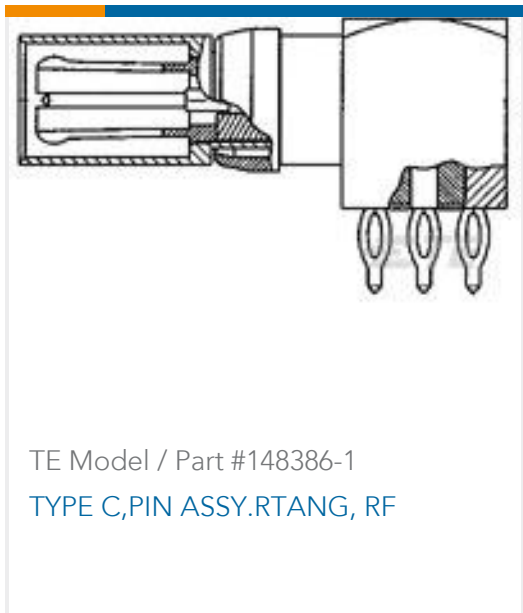
This information is provided based on reasonable inquiry of our suppliers and represents our current actual knowledge based on the information they provided. This information is subject to change. The part numbers that TE has identified as EU RoHS compliant have a maximum concentration of 0.1% by weight in homogenous materials for lead, hexavalent chromium, mercury, PBB, PBDE, DBP, BBP, DEHP, DIBP, and 0.01% for cadmium, or qualify for an exemption to these limits as defined in the Annexes of Directive 2011/65/EU (RoHS2). Finished electrical and electronic equipment products will be CE marked as required by Directive 2011/65/EU. Components may not be CE marked. Additionally, the part numbers that TE has identified as EU ELV compliant have a maximum concentration of 0.1% by weight in homogenous materials for lead, hexavalent chromium, and mercury, and 0.01% for cadmium, or qualify for an exemption to these limits as defined in the Annexes of Directive 2000/53/EC (ELV). Regarding the REACH Regulation, the information TE provides on SVHC in articles for this part number is based on the latest European Chemicals Agency (ECHA) 'Guidance on requirements for substances in articles' posted at this URL: <https://echa.europa.eu/guidance-documents/guidance-on-reach>

Compatible Parts

 <p>TE Model / Part # 1060995-1 5862 5004 09,OSX PCB JACK RECP</p>	 <p>TE Model / Part # 6061002-1 OSX PCB JACK RECP</p>	 <p>TE Model / Part # 1330126-1 SCD,5862 5003 09,OSX</p>	 <p>TE Model / Part # 829559-2 MCX GE KU LEI</p>
 <p>TE Model / Part # 1060989-1 5862 5003 10,OSX PCB JACK RECP</p>	 <p>TE Model / Part # 6061092-1 OSX VERTICAL JACK</p>	 <p>TE Model / Part # 829558-4 MCX GE KU LEI</p>	 <p>TE Model / Part # 1060985-1 5862 5002 10,OSX JACK RECPT</p>
 <p>TE Model / Part # 1061015-1 5863 0000 10,OSX PCB PLUG</p>	 <p>TE Model / Part # 1060984-1 5862 5002 09,OSX PCB JACK</p>	 <p>TE Model / Part # 966851-1 MCX SMD KUPPLER PCB</p>	 <p>TE Model / Part # 1061002-1 5862 5007 13,OSX PCB JACK RECP</p>



Customers Also Bought



Documents



Product Drawings

[5837 5002 10](#)

English

CAD Files

[3D PDF](#)

3D

Customer View Model

[ENG_CVM_CVM_1060888-1_C.2d_dxf.zip](#)

English

Customer View Model

[ENG_CVM_CVM_1060888-1_C.3d_igs.zip](#)

English

Customer View Model

[ENG_CVM_CVM_1060888-1_C.3d_stp.zip](#)

English

By downloading the CAD file I accept and agree to the [Terms and Conditions](#) of use.

Product Environmental Compliance

[Product Compliance](#)

English

[Product Compliance](#)

English

Instruction Sheets

[Instruction Sheet \(U.S.\)](#)

English