

# 1057293-1 ✓ ACTIVE

TE Internal #: 1057293-1

RF Connectors, N Type RF Interface, Jack, RF Connector Mated  
Outer Diameter (Approximate) .75 in [19.05 mm], 50 Ω, Threaded,  
10GHz Operating Frequency

[View on TE.com >](#)



Connectors > RF & Coax Connectors > RF Connectors



RF Interface: **N Type**

RF Connector Style: **Jack**

RF Connector Mated Outer Diameter (Approximate): **19.05 mm [ .75 in ]**

Impedance: **50 Ω**

RF Connector Coupling Mechanism: **Threaded**

## Features

### Product Type Features

RF Interface	N Type
RF Connector Style	Jack
Connector System	Cable-to-Panel
Sealable	No
Connector & Contact Terminates To	Wire & Cable

### Configuration Features

Number of Positions	1
Number of Coaxial Contacts	1

### Electrical Characteristics

Impedance	50 Ω
-----------	------

### Body Features

Body Material	Brass
Body Material Finish	Plated
Body Plating Material	Nickel



Body Underplating Material	Copper
----------------------------	--------

### Contact Features

RF Connector Center Contact Underplating Material	Copper
RF Connector Contact Configuration	Not Captivated
RF Connector Center Contact Plating Material	Gold
RF Connector Center Contact Material	Beryllium Copper

### Mechanical Attachment

Panel Attachment Style	Front Mount
Panel Mount Feature Type	Square Flange
RF Connector Coupling Mechanism	Threaded
Connector Mounting Type	Panel Mount
RF Contact Captivation Method	Epoxy
Detent	Without

### Dimensions

RF Connector Mated Outer Diameter (Approximate)	19.05 mm [.75 in]
---	-------------------

### Usage Conditions

Operating Temperature Range	-65 – 125 °C [-85 – 257 °F]
-----------------------------	-----------------------------

### Operation/Application

Operating Frequency	10 GHz
---------------------	--------

### Packaging Features

Packaging Method	Carton
------------------	--------

### Other

Grade	Commercial
Dielectric Material	TFE Fluorocarbon

### Product Compliance

[For compliance documentation, visit the product page on TE.com>](#)

EU RoHS Directive 2011/65/EU	Compliant with Exemptions
EU ELV Directive 2000/53/EC	Compliant with Exemptions
China RoHS 2 Directive MIIT Order No 32, 2016	Restricted Materials Above Threshold
EU REACH Regulation (EC) No. 1907/2006	Current ECHA Candidate List: JUN 2020 (209)



Candidate List Declared Against: JAN 2020 (205)

Pb (3.7% in Component Part)

**Article Safe Usage Statements:**  
Do not eat, drink or smoke when using this product. Wash thoroughly after handling. Recycle if possible and dispose of the article by following all applicable governmental regulations relevant to your geographic location.

Halogen Content

Low Bromine/Chlorine - Br and Cl < 900 ppm per homogenous material. Also BFR /CFR/PVC Free

Solder Process Capability

Pin-in-Paste capable to 260°C

Product Compliance Disclaimer

This information is provided based on reasonable inquiry of our suppliers and represents our current actual knowledge based on the information they provided. This information is subject to change. The part numbers that TE has identified as EU RoHS compliant have a maximum concentration of 0.1% by weight in homogenous materials for lead, hexavalent chromium, mercury, PBB, PBDE, DBP, BBP, DEHP, DIBP, and 0.01% for cadmium, or qualify for an exemption to these limits as defined in the Annexes of Directive 2011/65/EU (RoHS2). Finished electrical and electronic equipment products will be CE marked as required by Directive 2011/65/EU. Components may not be CE marked. Additionally, the part numbers that TE has identified as EU ELV compliant have a maximum concentration of 0.1% by weight in homogenous materials for lead, hexavalent chromium, and mercury, and 0.01% for cadmium, or qualify for an exemption to these limits as defined in the Annexes of Directive 2000/53/EC (ELV). Regarding the REACH Regulation, the information TE provides on SVHC in articles for this part number is based on the latest European Chemicals Agency (ECHA) 'Guidance on requirements for substances in articles' posted at this URL: <https://echa.europa.eu/guidance-documents/guidance-on-reach>

### Compatible Parts



TE Model / Part # 1-5227086-0  
KIT, N SERIES COMMERCIAL PLUG



TE Model / Part # 5225392-2  
SERIES N PLUG W/PROOF



TE Model / Part # 5225661-1  
N SERIES PLUG T R RG 9 214



TE Model / Part # 1057088-1  
3001 7941 00



TE Model / Part # 1-5225661-2  
SERIES N PLUG TR



TE Model / Part # 1-5225661-3  
SERIES N PLUG TR



TE Model / Part # 5225361-1  
SERIES N PLUG



TE Model / Part # 225669-2  
N SER RT ANG PLUG TR



TE Model / Part # 1057243-1  
3031 7341 10



TE Model / Part # 5225361-4  
SERIES N PLUG



TE Model / Part # 228440-1  
CONN SERIES N PLUG



TE Model / Part # 1-225661-2  
SERIES N PLUG TR



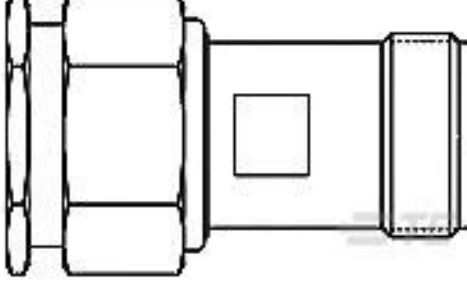
TE Model / Part # 1-225662-8  
PLUB N SERIES W/P



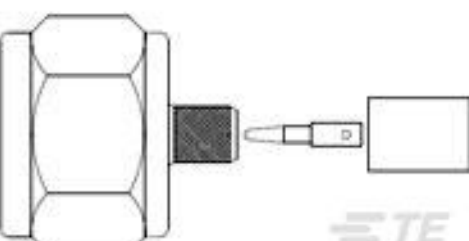
TE Model / Part # 1-227086-0  
KIT, N SERIES COMMERCIAL PLUG



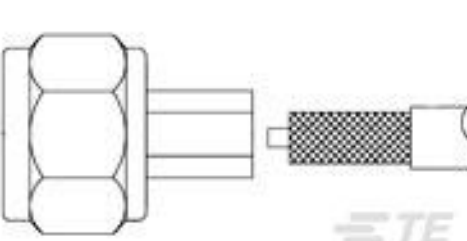
TE Model / Part # 1-5225661-6  
COAX CONNECTOR, N SERIES



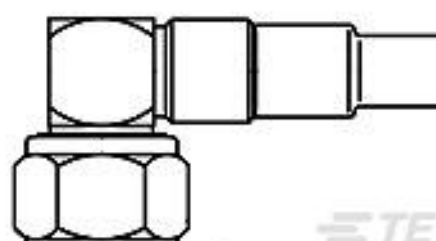
TE Model / Part # 1057405-1  
3082 5014 02



TE Model / Part # 1274532-1  
N SERIES CABLE PLUG, LMR-240 C



TE Model / Part # 1314078-1  
1599-5019,Crimp Type N Plug fo

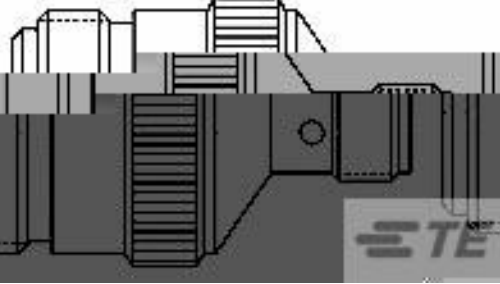


TE Model / Part # 1361008-1  
3037 5002 10,CONNECTOR,N



TE Model / Part # 225361-1  
SERIES N PLUG

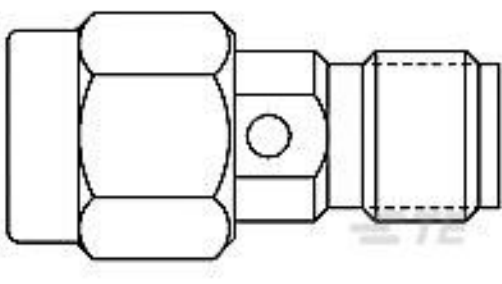
### Customers Also Bought



TE Model / Part #1057341-1  
3080 2240 00



TE Model / Part #1052565-1  
2052 1618 00



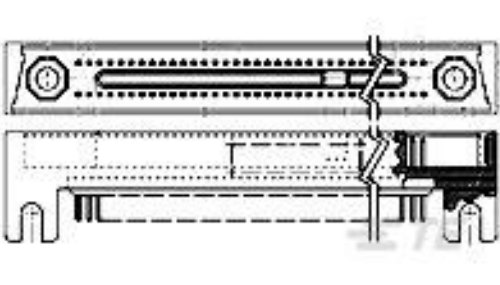
TE Model / Part #1054426-1  
2082 5133 02



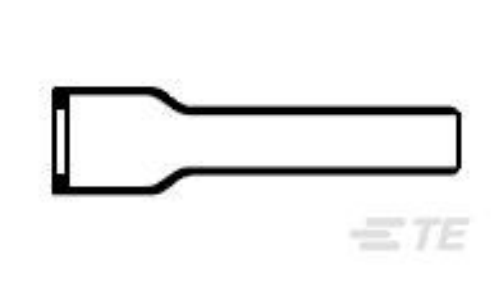
TE Model / Part #1052566-1  
2052 1618 02,SMA FM JACK RECPT



TE Model / Part #1052515-1  
2052 1133 02



TE Model / Part #2-531803-2  
MINI BX PIN HDR 128 POS



TE Model / Part #808503-000  
202D263-3-22-0



TE Model / Part #1925214-9  
TMN2N009PC2DM018S = M32139/03-A05SNS



TE Model / Part #749202-2  
50 50SR KIT,75D,UK



TE Model / Part #CV7424-000  
D-141-40

## Documents

### Product Drawings

[3052 1648 10](#)

English

### CAD Files

[3D PDF](#)

3D

Customer View Model

[ENG\\_CVM\\_CVM\\_1057293-1\\_A.2d\\_dxf.zip](#)

English

Customer View Model

[ENG\\_CVM\\_CVM\\_1057293-1\\_A.3d\\_igs.zip](#)

English

Customer View Model

[ENG\\_CVM\\_CVM\\_1057293-1\\_A.3d\\_stp.zip](#)

English

By downloading the CAD file I accept and agree to the [Terms and Conditions](#) of use.