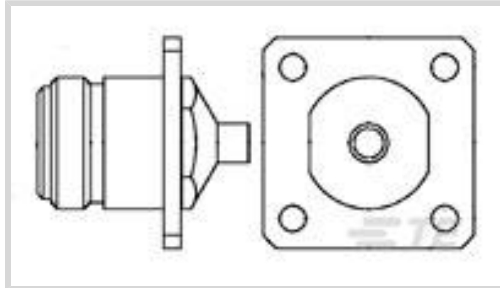




Connectors > RF Connectors > Coax Connectors



RF Interface: **N Type**

RF Connector Style: **Jack**

RF Connector Mated Outer Diameter (Approximate): **19.05 mm [ .75 in ]**

Impedance: **50 Ω**

Compatible With RF Cable Type: **RG 405 Semi-Rigid**

## Features

### Product Type Features

RF Interface	N Type
RF Connector Style	Jack
Compatible With RF Cable Type	RG 405 Semi-Rigid
Connector System	Cable-to-Panel
Sealable	No
Connector & Contact Terminates To	Wire & Cable

### Configuration Features

Number of Positions	1
Number of Coaxial Contacts	1

### Electrical Characteristics

Impedance	50 Ω
-----------	------

### Body Features

Cable Connector Orientation	Straight
Body Material	Stainless Steel
Body Material Finish	Plated
Body Plating Material	Gold

### Contact Features

RF Connector Contact Configuration	Not Captivated
RF Connector Center Contact Plating Material	Gold
RF Connector Center Contact Material	Beryllium Copper

### Termination Features

Termination Method to Wire & Cable	Solder
------------------------------------	--------

### Mechanical Attachment

Panel Mount Feature Type	Square Flange
Panel Attachment Style	Front Mount
RF Connector Coupling Mechanism	Threaded
Connector Mounting Type	Panel Mount
Detent	Without

### Dimensions

RF Connector Mated Outer Diameter (Approximate)	19.05 mm[.75 in]
-------------------------------------------------	------------------

### Usage Conditions

Operating Temperature Range	-65 – 165 °C[-85 – 329 °F]
-----------------------------	----------------------------

### Operation/Application

Operating Frequency	11 GHz
---------------------	--------

### Packaging Features

Packaging Method	Carton
------------------	--------

### Other

Grade	Commercial
Dielectric Material	TFE Fluorocarbon

### Product Compliance

[For compliance documentation, visit the product page on TE.com>](#)

EU RoHS Directive 2011/65/EU	Compliant with Exemptions
EU ELV Directive 2000/53/EC	Compliant with Exemptions
China RoHS 2 Directive MIIT Order No 32, 2016	Restricted Materials Above Threshold
EU REACH Regulation (EC) No. 1907/2006	Current ECHA Candidate List: JUNE 2024 (241) Candidate List Declared Against: JUL 2021 (219) SVHC > Threshold: Pb (3.7% in Component Part) <b>Article Safe Usage Statements:</b> Do not eat, drink or smoke when using this product. Wash thoroughly after handling. Recycle if possible and dispose of the article by following all applicable governmental regulations relevant to your geographic location.
Halogen Content	Low Bromine/Chlorine - Br and Cl < 900 ppm per homogenous material. Also BFR

/CFR/PVC Free

Solder Process Capability

Not applicable for solder process capability

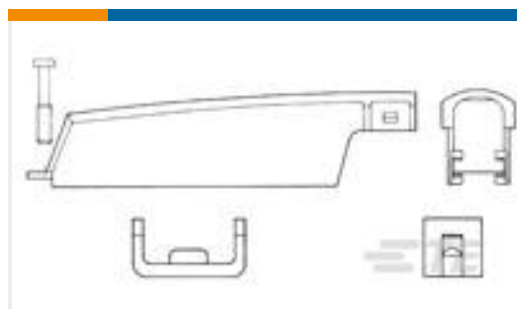
Product Compliance Disclaimer

This information is provided based on reasonable inquiry of our suppliers and represents our current actual knowledge based on the information they provided. This information is subject to change. The part numbers that TE has identified as EU RoHS compliant have a maximum concentration of 0.1% by weight in homogenous materials for lead, hexavalent chromium, mercury, PBB, PBDE, DBP, BBP, DEHP, DIBP, and 0.01% for cadmium, or qualify for an exemption to these limits as defined in the Annexes of Directive 2011/65/EU (RoHS2). Finished electrical and electronic equipment products will be CE marked as required by Directive 2011/65/EU. Components may not be CE marked. Additionally, the part numbers that TE has identified as EU ELV compliant have a maximum concentration of 0.1% by weight in homogenous materials for lead, hexavalent chromium, and mercury, and 0.01% for cadmium, or qualify for an exemption to these limits as defined in the Annexes of Directive 2000/53/EC (ELV). Regarding the REACH Regulation, the information TE provides on SVHC in articles for this part number is based on the latest European Chemicals Agency (ECHA) 'Guidance on requirements for substances in articles' posted at this URL: <https://echa.europa.eu/guidance-documents/guidance-on-reach>

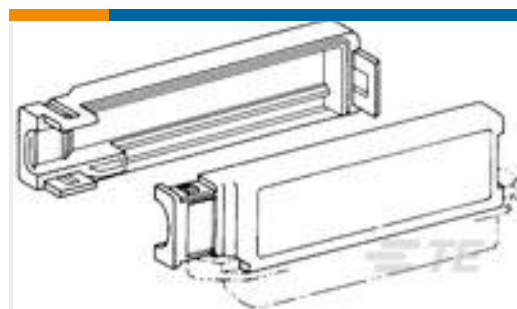
## Customers Also Bought



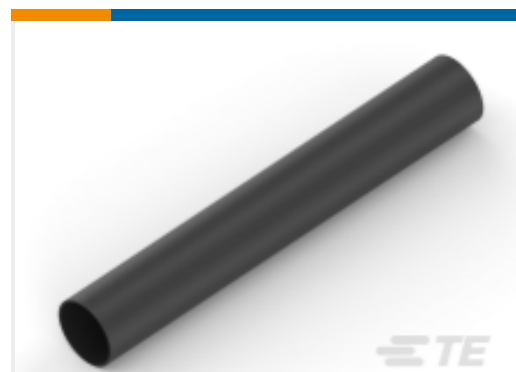
TE Part #5273550001  
TMS-SCE-3/16-2.0-9



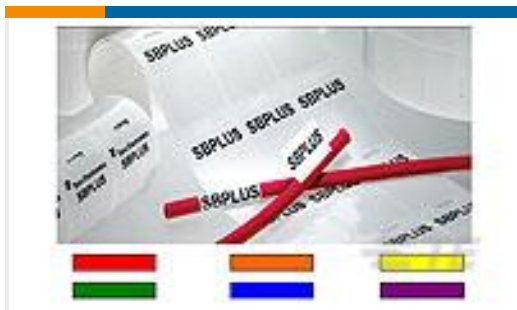
TE Part #5552560-1  
COVER KIT TAPERED 50 POS



TE Part #1-552011-1  
90 DEG COVER KIT 50 POS-BLK



TE Part #NB11652001  
ATUM-6/2-0-STK



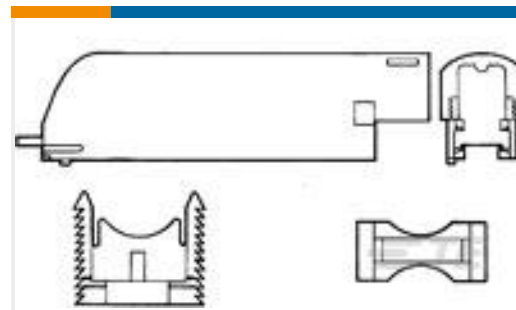
TE Part #CN9925-000  
SBP100375WE1-T200



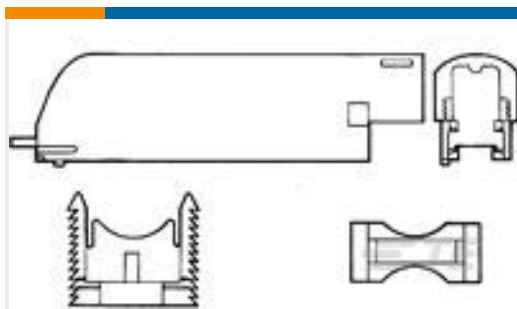
TE Part #1051114-1  
2007 5055 02,OSM CABLE PLUG



TE Part #711085-000  
55FB1544-24-FLT4-0CS2173



TE Part #552763-1  
CLAMP, CABLE, ADJUSTABLE



TE Part #552760-1  
COVER,90 DEG,SLIDE-ON,\"C/PKG\"

## Documents

[Product Drawings](#)  
3006 7985 00



English

---

**CAD Files**

**3D PDF**

3D

Customer View Model

[ENG\\_CVM\\_CVM\\_1057178-1\\_A.2d\\_dxf.zip](#)

English

Customer View Model

[ENG\\_CVM\\_CVM\\_1057178-1\\_A.3d\\_igs.zip](#)

English

Customer View Model

[ENG\\_CVM\\_CVM\\_1057178-1\\_A.3d\\_stp.zip](#)

English

By downloading the CAD file I accept and agree to the [Terms and Conditions](#) of use.

---

**Instruction Sheets**

**Instruction Sheet (U.S.)**

English

[OSN Straight Cable Jack Direct Solder Attachment 1057178-1 and 1057119-1](#)

English