

1057159-1 **×** OBSOLETE

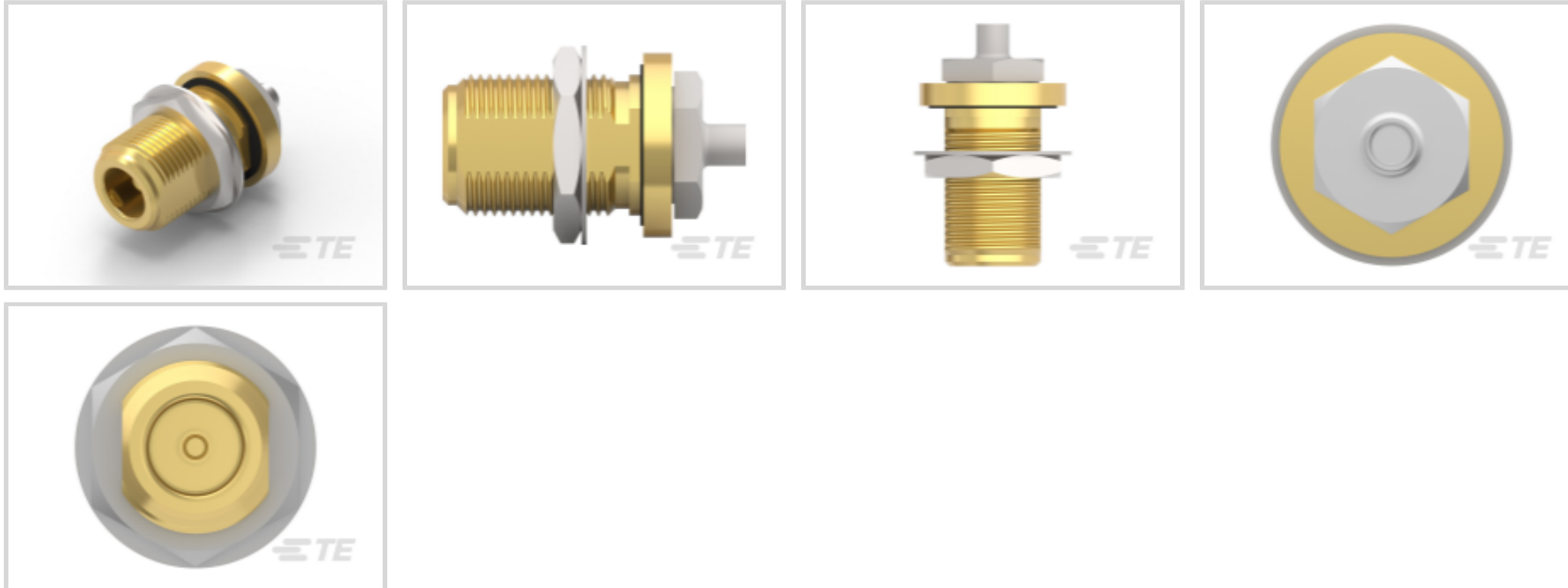
TE Internal #: 1057159-1

TE Internal Description: 3004 7941 00

[View on TE.com >](#)



Connectors > RF Connectors > Coax Connectors



RF Interface: **N Type**

RF Connector Style: **Jack**

RF Connector Mated Outer Diameter (Approximate): **19.05 mm [ .75 in ]**

Impedance: **50  $\Omega$**

Compatible With RF Cable Type: **RG 402 Semi-Rigid**

## Features

### Product Type Features

Connector Seal & Plug Type	Gasket, O-Ring
RF Interface	N Type
RF Connector Style	Jack
Compatible With RF Cable Type	RG 402 Semi-Rigid
Connector System	Cable-to-Panel
Sealable	Yes
Connector & Contact Terminates To	Wire & Cable

### Configuration Features

Number of Positions	1
Number of Coaxial Contacts	1

### Electrical Characteristics

Impedance	50 $\Omega$
-----------	-------------

### Body Features

Cable Connector Orientation	Straight
Body Material	Brass
Body Material Finish	Plated

Body Plating Material	Gold
-----------------------	------

### Contact Features

RF Connector Contact Configuration	Not Captivated
------------------------------------	----------------

RF Connector Center Contact Plating Material	Gold
--	------

RF Connector Center Contact Material	Beryllium Copper
--------------------------------------	------------------

### Termination Features

Termination Method to Wire & Cable	Solder
------------------------------------	--------

### Mechanical Attachment

Panel Attachment Style	Rear Mount
------------------------	------------

RF Connector Coupling Mechanism	Threaded
---------------------------------	----------

Connector Mounting Type	Panel Mount
-------------------------	-------------

Detent	Without
--------	---------

### Dimensions

Panel Thickness (Recommended)	6.35 mm [.25 in]
-------------------------------	------------------

RF Connector Mated Outer Diameter (Approximate)	19.05 mm [.75 in]
---	-------------------

### Usage Conditions

Operating Temperature Range	-65 – 105 °C [-85 – 221 °F]
-----------------------------	-----------------------------

### Operation/Application

Operating Frequency	11 GHz
---------------------	--------

### Packaging Features

Packaging Method	Bag
------------------	-----

### Other

Lockwasher Material	Stainless Steel
---------------------	-----------------

Coupling Nut Base Material	Stainless Steel
----------------------------	-----------------

Gasket Material	Silicone Rubber
-----------------	-----------------

Grade	Commercial
-------	------------

Dielectric Material	TFE Fluorocarbon
---------------------	------------------

### Product Compliance

For compliance documentation, visit the product page on [TE.com](#)>

EU RoHS Directive 2011/65/EU	Compliant with Exemptions
------------------------------	---------------------------

EU ELV Directive 2000/53/EC

Compliant with Exemptions

China RoHS 2 Directive MIIT Order No 32, 2016

Restricted Materials Above Threshold

EU REACH Regulation (EC) No. 1907/2006

Current ECHA Candidate List: JUNE 2024 (241)

Candidate List Declared Against: JUL 2021 (219)

SVHC > Threshold:

Pb (3.7% in Component Part)

**Article Safe Usage Statements:**

Do not eat, drink or smoke when using this product. Wash thoroughly after handling. Recycle if possible and dispose of the article by following all applicable governmental regulations relevant to your geographic location.

Halogen Content

Low Bromine/Chlorine - Br and Cl < 900 ppm per homogenous material. Also BFR /CFR/PVC Free

Solder Process Capability

Not applicable for solder process capability

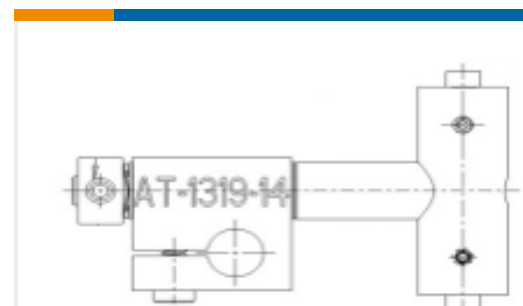
**Product Compliance Disclaimer**

This information is provided based on reasonable inquiry of our suppliers and represents our current actual knowledge based on the information they provided. This information is subject to change. The part numbers that TE has identified as EU RoHS compliant have a maximum concentration of 0.1% by weight in homogenous materials for lead, hexavalent chromium, mercury, PBB, PBDE, DBP, BBP, DEHP, DIBP, and 0.01% for cadmium, or qualify for an exemption to these limits as defined in the Annexes of Directive 2011/65/EU (RoHS2). Finished electrical and electronic equipment products will be CE marked as required by Directive 2011/65/EU. Components may not be CE marked. Additionally, the part numbers that TE has identified as EU ELV compliant have a maximum concentration of 0.1% by weight in homogenous materials for lead, hexavalent chromium, and mercury, and 0.01% for cadmium, or qualify for an exemption to these limits as defined in the Annexes of Directive 2000/53/EC (ELV). Regarding the REACH Regulation, the information TE provides on SVHC in articles for this part number is based on the latest European Chemicals Agency (ECHA) 'Guidance on requirements for substances in articles' posted at this URL: <https://echa.europa.eu/guidance-documents/guidance-on-reach>

## Customers Also Bought



TE Part #993850-000  
AD-1319-9



TE Part #993877-000  
AT-1319-14



TE Part #359434-000  
SO63-4-00



TE Part #1057679-1  
3104 7985 00



TE Part #1059465-1  
4510 7941 00,OSP CABLE JACK



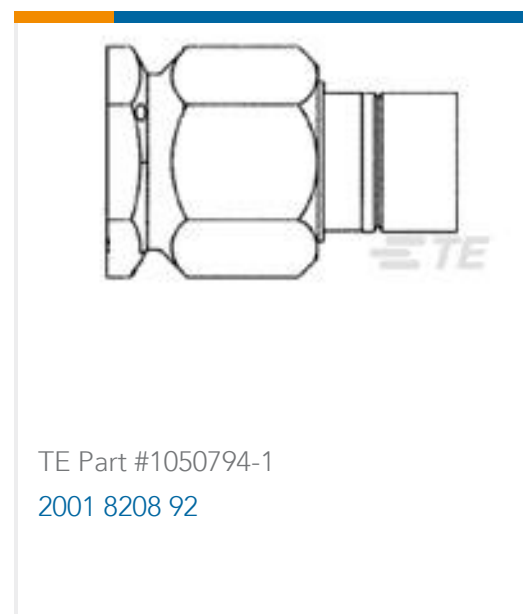
TE Part #1050854-1  
2002 5015 00



TE Part #1051150-1  
2007 7941 00,SMA RA CABLE PLUG



TE Part #AAC5883-00  
100P2451-20-4-C-UB-WLH



## Documents

### Product Drawings

[3004 7941 00](#)

English

### CAD Files

[3D PDF](#)

3D

Customer View Model

[ENG\\_CVM\\_CVM\\_1057159-1\\_A.2d\\_dxf.zip](#)

English

Customer View Model

[ENG\\_CVM\\_CVM\\_1057159-1\\_A.3d\\_igs.zip](#)

English

Customer View Model

[ENG\\_CVM\\_CVM\\_1057159-1\\_A.3d\\_stp.zip](#)

English

By downloading the CAD file I accept and agree to the [Terms and Conditions](#) of use.

### Instruction Sheets

[Instruction Sheet \(U.S.\)](#)

English