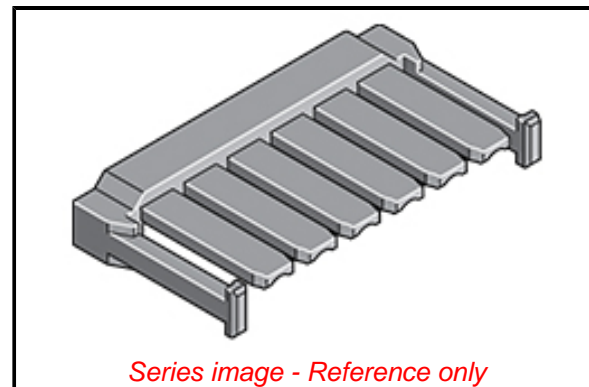


**PLEASE CHECK WWW.MOLEX.COM FOR LATEST PART INFORMATION**

**Part Number:** [1053251007](#)  
**Status:** **Active**  
**Overview:** [Nano-Fit Power Connectors](#)  
**Description:** Nano-Fit Terminal Position Assurance (TPA) Retainer, 2.50mm Pitch, 7 Circuits, Black

**Documents:**

<a href="#">3D Model</a>	<a href="#">Packaging Specification PK-105325-100-000 (PDF)</a>
<a href="#">Drawing (PDF)</a>	<a href="#">Test Summary 1053000000-TS-000 (PDF)</a>
<a href="#">3D Model (PDF)</a>	<a href="#">Datasheet (PDF)</a>
<a href="#">Product Specification PS-105300-100-001 (PDF)</a>	<a href="#">RoHS Certificate of Compliance (PDF)</a>
<a href="#">Application Specification AS-105300-100-001 (PDF)</a>	



**General**

Product Family	Accessories
Series	<a href="#">105325</a>
Comments	Operating temperature is -40#C to +105#C for tin and -40#C to +115#C for gold
Component Type	Terminal Position Assurance
Overview	<a href="#">Nano-Fit Power Connectors</a>
Product Name	Nano-Fit
UPC	889056028608

**Physical**

Circuits (Loaded)	7
Circuits (maximum)	7
Color - Resin	Black
Lock to Mating Part	Yes
Material - Resin	Nylon
Net Weight	0.180/g
Number of Rows	1
Packaging Type	Bag
Temperature Range - Operating	-40° to +105°C, -40° to +115°C

**Material Info**

**Reference - Drawing Numbers**

Application Specification	AS-105300-100-001
Packaging Specification	PK-105325-100-000
Product Specification	PS-105300-100-001
Sales Drawing	SD-105325-100-000
Test Summary	1053000000-TS-000

**EU ELV**

**Not Relevant**

**EU RoHS**

**Compliant**

**REACH SVHC**

Not Contained Per -  
D(2020)4578-DC (25  
June 2020)

**Halogen-Free**

**Status**

**Low-Halogen**

For more information, please visit [Contact US](#)

China ROHS

ELV

RoHS Phthalates

**China RoHS**

Green Image

Not Relevant

Not Contained

**Search Parts in this Series**

[105325](#) Series

**Use With**

Nano-Fit TPA Receptacle Housing [105307](#)  
, [105308](#) <br> Nano-Fit TPA Plug Housings  
[200277](#) , [201444](#)