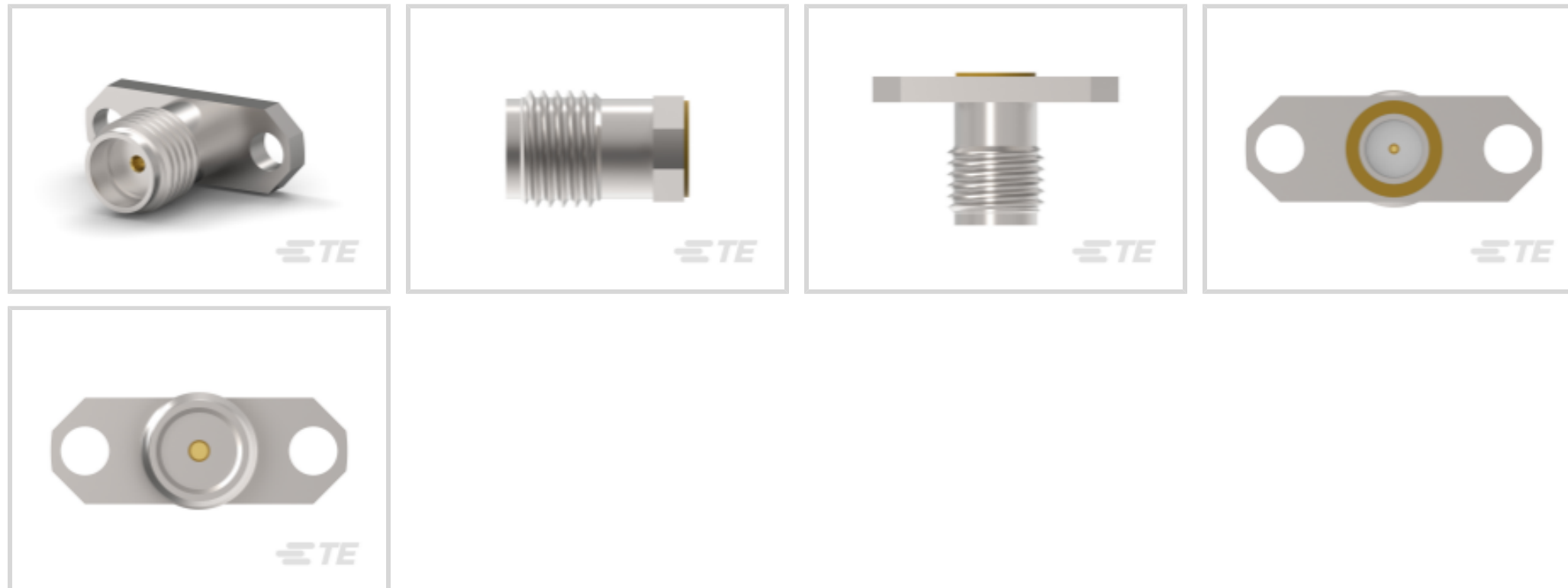




Connectors > RF Connectors > RF Connector Launchers



RF Interface: **SMA**

Connector & Contact Terminates To: **Wire & Cable**

Product Length: **9.53 mm [.375 in]**

Connector Mounting Type: **Panel Mount**

Panel Mount Feature: **With**

Features

Product Type Features

Sealable	No
Connector System	Cable-to-Board
RF Interface	SMA
Connector & Contact Terminates To	Wire & Cable

Configuration Features

Number of Positions	1
---------------------	---

Electrical Characteristics

Insulation Resistance	5000 MΩ
Impedance	50 Ω

Body Features

Body Plating Finish	Passivated
Body Material	Stainless Steel

Contact Features

RF Connector Contact Configuration	Captivated Contacts
RF Connector Center Contact Plating Material	Gold



RF Connector Center Contact Material	Beryllium Copper
--------------------------------------	------------------

Mechanical Attachment

RF Contact Captivation Method	Mechanical
-------------------------------	------------

Panel Attachment Style	Rear Mount
------------------------	------------

Connector Mounting Type	Panel Mount
-------------------------	-------------

Panel Mount Feature	With
---------------------	------

Panel Mount Feature Type	Flanged
--------------------------	---------

Dimensions

Pin Diameter Accepted	.3 mm[.012 in]
-----------------------	----------------

Product Length	9.53 mm[.375 in]
----------------	------------------

Usage Conditions

Operating Temperature Range	-65 – 165 °C[-85 – 329 °F]
-----------------------------	----------------------------

Other

Number of Panel Mounting Holes	2
--------------------------------	---

Dielectric Material	TFE Fluorocarbon
---------------------	------------------

Product Compliance

[For compliance documentation, visit the product page on TE.com>](#)

EU RoHS Directive 2011/65/EU	Compliant with Exemptions
------------------------------	---------------------------

EU ELV Directive 2000/53/EC	Compliant with Exemptions
-----------------------------	---------------------------

China RoHS 2 Directive MIIT Order No 32, 2016	Restricted Materials Above Threshold
---	--------------------------------------

EU REACH Regulation (EC) No. 1907/2006	<p>Current ECHA Candidate List: JUNE 2024 (241)</p> <p>Candidate List Declared Against: JUL 2021 (219)</p> <p>SVHC > Threshold:</p> <p>Pb (.6% in Component Part)</p>
--	--

Article Safe Usage Statements:

Do not eat, drink or smoke when using this product. Wash thoroughly after handling. Recycle if possible and dispose of the article by following all applicable governmental regulations relevant to your geographic location.

Halogen Content	Low Bromine/Chlorine - Br and Cl < 900 ppm per homogenous material. Also BFR /CFR/PVC Free
-----------------	--

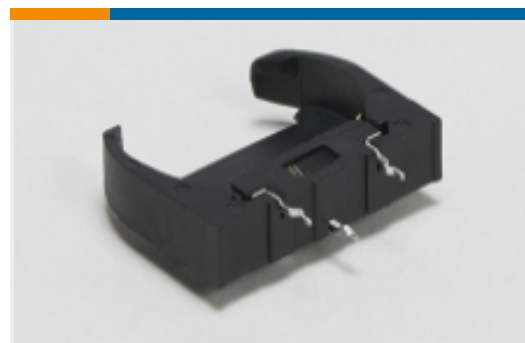
Solder Process Capability	Not applicable for solder process capability
---------------------------	--

Product Compliance Disclaimer

This information is provided based on reasonable inquiry of our suppliers and represents our current actual knowledge based on the information they provided. This information is subject to change. The part numbers that TE has identified as

EU RoHS compliant have a maximum concentration of 0.1% by weight in homogenous materials for lead, hexavalent chromium, mercury, PBB, PBDE, DBP, BBP, DEHP, DIBP, and 0.01% for cadmium, or qualify for an exemption to these limits as defined in the Annexes of Directive 2011/65/EU (RoHS2). Finished electrical and electronic equipment products will be CE marked as required by Directive 2011/65/EU. Components may not be CE marked. Additionally, the part numbers that TE has identified as EU ELV compliant have a maximum concentration of 0.1% by weight in homogenous materials for lead, hexavalent chromium, and mercury, and 0.01% for cadmium, or qualify for an exemption to these limits as defined in the Annexes of Directive 2000/53/EC (ELV). Regarding the REACH Regulation, the information TE provides on SVHC in articles for this part number is based on the latest European Chemicals Agency (ECHA) 'Guidance on requirements for substances in articles' posted at this URL: <https://echa.europa.eu/guidance-documents/guidance-on-reach>

Also in the Series | AMP SMA



Battery Holders(1)



Coax Connectors(95)



Connector Adapters & Connector Savers(8)



Connector Caps & Covers(3)



Connector Hardware(2)



Connector Strain Relief(1)



RF Cable Assemblies(2)



RF Connector Launchers(1)

Customers Also Bought



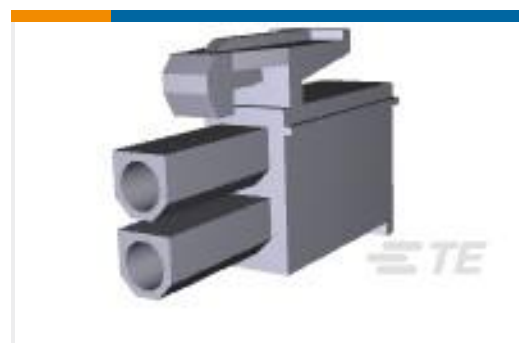
TE Part #1-1478763-5
METAL BACKSHELL 15 WAY 45 DE



TE Part #1-87215-0
02 MODII HDR DRST UNSHRD .100



TE Part #170364-1
MINI UNIVERSAL M-N-L PIN LP



TE Part #172165-1
2 CIR UNIV M-N-L PLUG NATL



TE Part #YDTS20W11-99PNV001
RECP ASSY



TE Part #1052902-1
2052 5674 02



TE Part #1055047-1
2087 1230 02



Documents

Product Drawings

[2052 3354 02,OSM JACK KIT](#)

English

CAD Files

[3D PDF](#)

3D

Customer View Model

[ENG_CVM_CVM_1052628-1_C.2d_dxf.zip](#)

English

Customer View Model

[ENG_CVM_CVM_1052628-1_C.3d_igs.zip](#)

English

Customer View Model

[ENG_CVM_CVM_1052628-1_C.3d_stp.zip](#)

English

By downloading the CAD file I accept and agree to the [Terms and Conditions](#) of use.

Datasheets & Catalog Pages

[SMA Connectors](#)

English