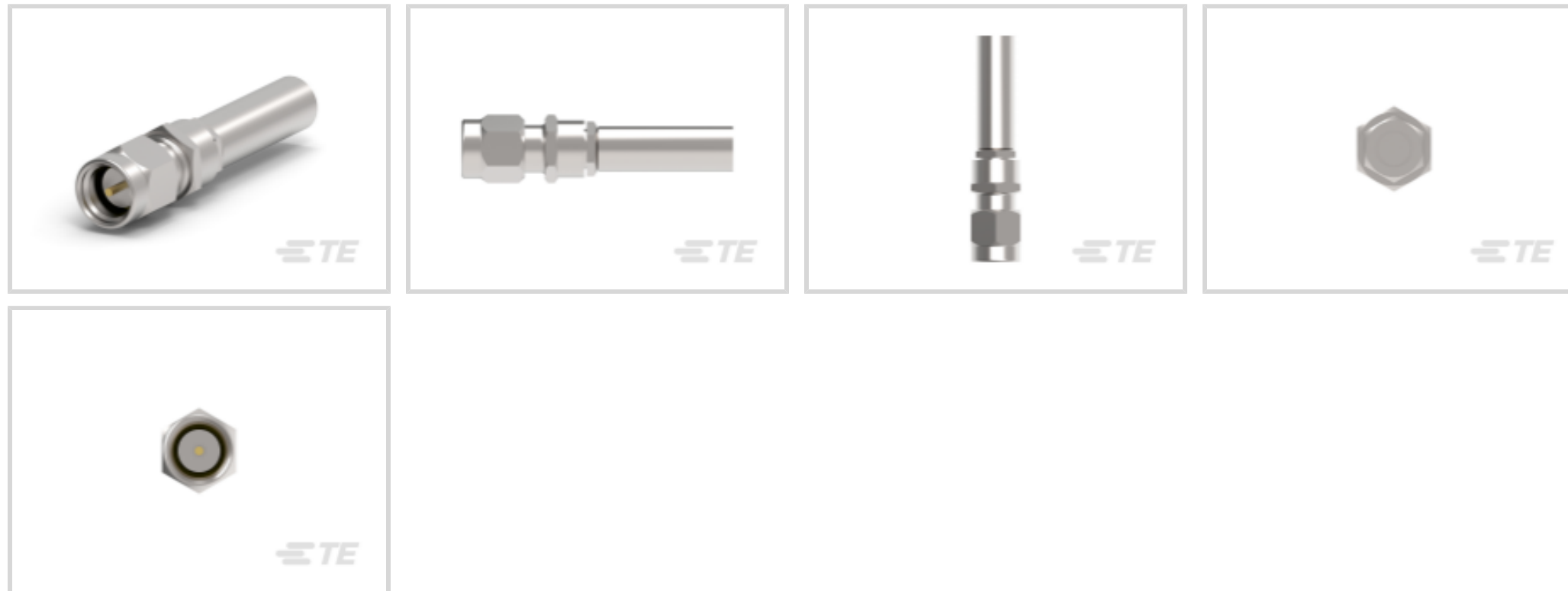




Connectors > RF Connectors > Coax Connectors



RF Interface: **SMA**

RF Connector Style: **Plug**

RF Connector Mated Outer Diameter (Approximate): **6.35 mm [ .25 in ]**

Impedance: **50 Ω**

Compatible With RF Cable Type: **RG 174**

## Features

### Product Type Features

Connector Product Type	Connector Assembly
Connector Seal & Plug Type	Gasket, O-Ring
RF Interface	SMA
RF Connector Style	Plug
Compatible With RF Cable Type	RG 174
Connector System	Cable-to-Cable
Sealable	Yes
Connector & Contact Terminates To	Wire & Cable

### Configuration Features

Number of Positions	1
Number of Coaxial Contacts	1

### Electrical Characteristics

Impedance	50 Ω
-----------	------

### Body Features

Cable Connector Orientation	Straight
-----------------------------	----------

Body Material	Stainless Steel
---------------	-----------------

Body Material Finish	Passivated
----------------------	------------

### Contact Features

RF Connector Contact Configuration	Captivated Contacts
------------------------------------	---------------------

Ferrule Plating Material	Gold
--------------------------	------

Crimp Type	Compression
------------	-------------

Ferrule Material	Copper Alloy
------------------	--------------

RF Connector Center Contact Plating Material	Gold
--	------

RF Connector Center Contact Material	Brass
--------------------------------------	-------

### Termination Features

Termination Method to Wire & Cable	Crimp
------------------------------------	-------

### Mechanical Attachment

RF Connector Coupling Mechanism	Threaded
---------------------------------	----------

Connector Mounting Type	Cable Mount (Free-Hanging)
-------------------------	----------------------------

RF Contact Captivation Method	Mechanical
-------------------------------	------------

Detent	Without
--------	---------

### Dimensions

Product Length	38.1 mm[1.5 in]
----------------	-----------------

RF Connector Mated Outer Diameter (Approximate)	6.35 mm[.25 in]
---	-----------------

### Usage Conditions

Operating Temperature Range	-65 – 165 °C[-85 – 329 °F]
-----------------------------	----------------------------

### Operation/Application

Operating Frequency	12.4 GHz
---------------------	----------

### Packaging Features

Packaging Method	Carton
------------------	--------

### Other

Coupling Nut Plating Finish	Passivated
-----------------------------	------------

Coupling Nut Base Material	Stainless Steel
----------------------------	-----------------

Additional Features	Shrink Tubing
---------------------	---------------

Gasket Material	Silicone Rubber
-----------------	-----------------

Dielectric Material	TFE Fluorocarbon
---------------------	------------------

## Product Compliance

For compliance documentation, visit the product page on [TE.com](#)>

EU RoHS Directive 2011/65/EU	Compliant with Exemptions
EU ELV Directive 2000/53/EC	Compliant with Exemptions
China RoHS 2 Directive MIIT Order No 32, 2016	Restricted Materials Above Threshold
EU REACH Regulation (EC) No. 1907/2006	Current ECHA Candidate List: JUNE 2023 (235) Candidate List Declared Against: JAN 2019 (197) Does not contain REACH SVHC
Halogen Content	BFR/CFR/PVC Free, but Br/Cl >900 ppm in other sources.
Solder Process Capability	Not applicable for solder process capability

### Product Compliance Disclaimer

This information is provided based on reasonable inquiry of our suppliers and represents our current actual knowledge based on the information they provided. This information is subject to change. The part numbers that TE has identified as EU RoHS compliant have a maximum concentration of 0.1% by weight in homogenous materials for lead, hexavalent chromium, mercury, PBB, PBDE, DBP, BBP, DEHP, DIBP, and 0.01% for cadmium, or qualify for an exemption to these limits as defined in the Annexes of Directive 2011/65/EU (RoHS2). Finished electrical and electronic equipment products will be CE marked as required by Directive 2011/65/EU. Components may not be CE marked. Additionally, the part numbers that TE has identified as EU ELV compliant have a maximum concentration of 0.1% by weight in homogenous materials for lead, hexavalent chromium, and mercury, and 0.01% for cadmium, or qualify for an exemption to these limits as defined in the Annexes of Directive 2000/53/EC (ELV). Regarding the REACH Regulation, the information TE provides on SVHC in articles for this part number is based on the latest European Chemicals Agency (ECHA) 'Guidance on requirements for substances in articles' posted at this URL: <https://echa.europa.eu/guidance-documents/guidance-on-reach>

## Also in the Series | AMP SMA



Battery Holders(1)



Coax Connectors(293)



Connector Adapters & Connector Savers(10)



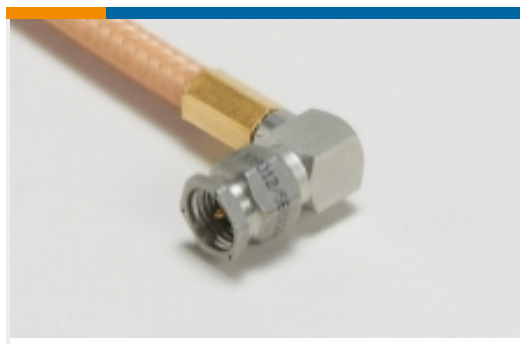
Connector Caps & Covers(3)



Connector Hardware(2)



Connector Strain Relief(1)



RF Cable Assemblies(2)

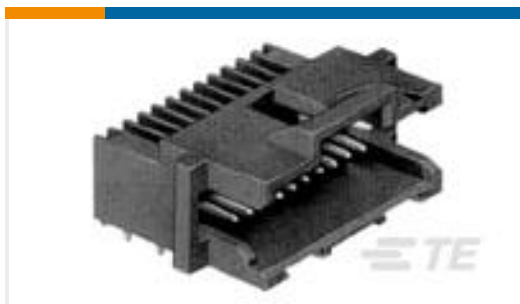


RF Connector Launchers(7)

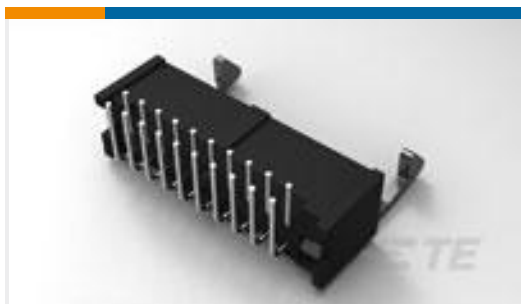


RF Terminators(1)

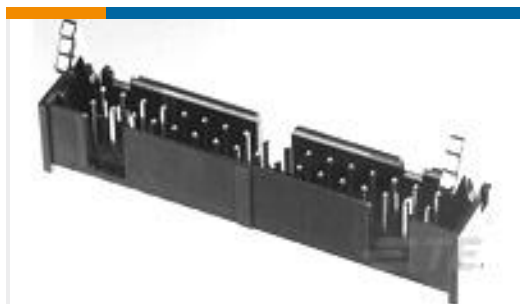
### Customers Also Bought



TE Part #5-104069-2  
50 sys 50 hdr drra shrd sn



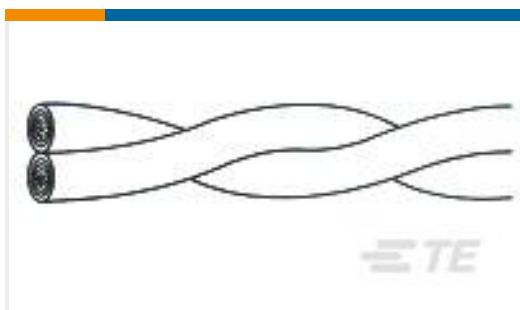
TE Part #1761607-3  
IDC LOW PRO HDR 10P RA LG LAT



TE Part #1-1761606-5  
IDC LOW PRO HDR 50P VERT LG LA



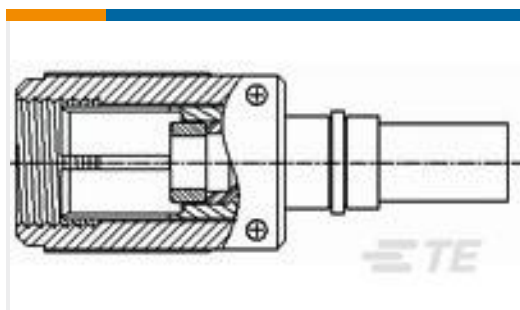
TE Part #5-2176087-4  
RP 1J 0.166W 249R 0.1% 25PPM 1K RL



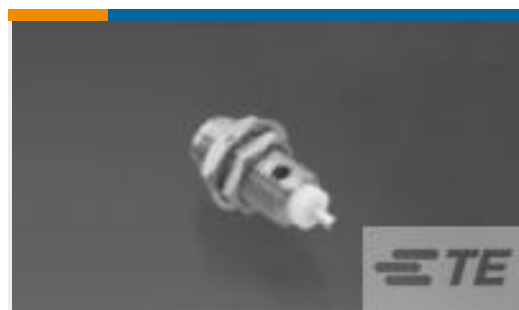
TE Part #462673-000  
55A0121-22-9/96CS2275



TE Part #3162563001  
55A1121-16-0/9-9



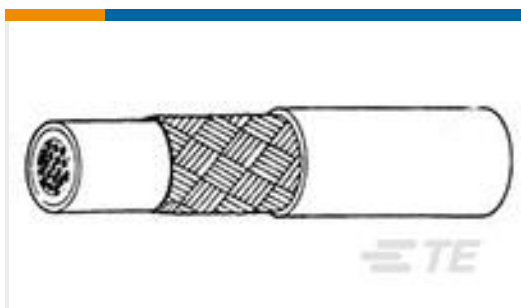
TE Part #849741-000  
D-621-0411



TE Part #1053072-1  
2056 0000 00



TE Part #CT56603001  
55A1121-22-0/9-9CK0001



TE Part #C602683001  
55A1111-22-9-9CK0300

### Documents



## Product Drawings

2031 5012 02

English

---

## CAD Files

3D PDF

3D

Customer View Model

[ENG\\_CVM\\_CVM\\_1051665-1\\_1.2d\\_dxf.zip](#)

English

Customer View Model

[ENG\\_CVM\\_CVM\\_1051665-1\\_1.3d\\_igs.zip](#)

English

Customer View Model

[ENG\\_CVM\\_CVM\\_1051665-1\\_1.3d\\_stp.zip](#)

English

By downloading the CAD file I accept and agree to the [Terms and Conditions](#) of use.

---

## Instruction Sheets

[Instruction Sheet \(U.S.\)](#)

English