



Connectors > RF Connectors > Coax Connectors



RF Interface: **SMA**

RF Connector Style: **Jack**

RF Connector Mated Outer Diameter (Approximate): **6.35 mm [.25 in]**

Impedance: **50 Ω**

Compatible With RF Cable Type: **RG 195**

Features

Product Type Features

Connector Product Type	Connector Assembly
RF Interface	SMA
RF Connector Style	Jack
Compatible With RF Cable Type	RG 195
Connector System	Cable-to-Panel
Sealable	No
Connector & Contact Terminates To	Wire & Cable

Configuration Features

Number of Positions	1
Number of Coaxial Contacts	1

Electrical Characteristics

Impedance	50 Ω
-----------	------

Body Features

Cable Connector Orientation	Straight
Body Material	Stainless Steel
Body Plating Material	Gold

Contact Features

RF Connector Center Contact Underplating Material	Copper, Nickel
RF Connector Contact Configuration	Not Captivated

RF Connector Center Contact Plating Material	Gold
RF Connector Center Contact Material	Beryllium Copper

Termination Features

Termination Method to Wire & Cable	Clamp
------------------------------------	-------

Mechanical Attachment

Panel Attachment Style	Rear Mount
RF Connector Coupling Mechanism	Retractable Collar
Connector Mounting Type	Panel Mount
RF Contact Captivation Method	Mechanical
Detent	Without

Dimensions

Product Length	21.6 mm[.85 in]
RF Connector Mated Outer Diameter (Approximate)	6.35 mm[.25 in]

Usage Conditions

Operating Temperature Range	-40 – 95 °C[-40 – 203 °F]
-----------------------------	---------------------------

Operation/Application

Operating Frequency	6 GHz
---------------------	-------

Packaging Features

Packaging Method	Package
------------------	---------

Other

Dielectric Material	PTFE
---------------------	------

Product Compliance

[For compliance documentation, visit the product page on TE.com>](#)

EU RoHS Directive 2011/65/EU	Not Yet Reviewed
EU ELV Directive 2000/53/EC	Compliant with Exemptions
China RoHS 2 Directive MIIT Order No 32, 2016	Restricted Materials Above Threshold
EU REACH Regulation (EC) No. 1907/2006	Current ECHA Candidate List: JUNE 2023 (235) Candidate List Declared Against: JUL 2017 (174) SVHC > Threshold: Not Yet Reviewed
Halogen Content	Low Bromine/Chlorine - Br and Cl < 900

ppm per homogenous material. Also BFR /CFR/PVC Free

Solder Process Capability

Not applicable for solder process capability

Product Compliance Disclaimer

This information is provided based on reasonable inquiry of our suppliers and represents our current actual knowledge based on the information they provided. This information is subject to change. The part numbers that TE has identified as EU RoHS compliant have a maximum concentration of 0.1% by weight in homogenous materials for lead, hexavalent chromium, mercury, PBB, PBDE, DBP, BBP, DEHP, DIBP, and 0.01% for cadmium, or qualify for an exemption to these limits as defined in the Annexes of Directive 2011/65/EU (RoHS2). Finished electrical and electronic equipment products will be CE marked as required by Directive 2011/65/EU. Components may not be CE marked. Additionally, the part numbers that TE has identified as EU ELV compliant have a maximum concentration of 0.1% by weight in homogenous materials for lead, hexavalent chromium, and mercury, and 0.01% for cadmium, or qualify for an exemption to these limits as defined in the Annexes of Directive 2000/53/EC (ELV). Regarding the REACH Regulations, TE's information on SVHC in articles for this part number is still based on the European Chemical Agency (ECHA) 'Guidance on requirements for substances in articles' (Version: 2, April 2011), applying the 0.1% weight on weight concentration threshold at the finished product level. TE is aware of the European Court of Justice ruling of September 10th, 2015 also known as O5A (Once An Article Always An Article) stating that, in case of 'complex object', the threshold for a SVHC must be applied to both the product as a whole and simultaneously to each of the articles forming part of its composition. TE has evaluated this ruling based on the new ECHA "Guidance on requirements for substances in articles" (June 2017, version 4.0) and will be updating its statements accordingly.

Also in the Series | AMP SMA



Battery Holders(1)



Coax Connectors(293)



Connector Adapters & Connector Savers(10)



Connector Caps & Covers(3)



Connector Hardware(2)



Connector Strain Relief(1)



RF Cable Assemblies(2)

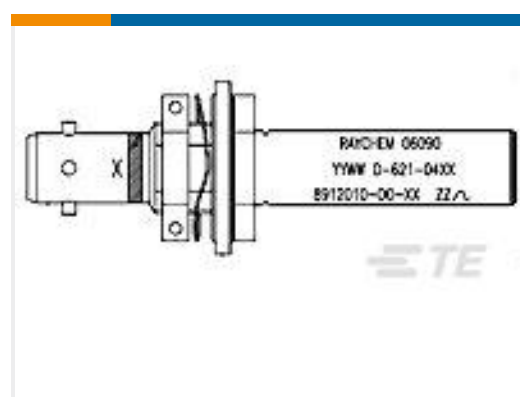


RF Connector Launchers(7)



RF Terminators(1)

Customers Also Bought

TE Part #455188-000
D-500-0255-021-02TE Part #306409-000
44AM1141-20-0/2/5/9-9TE Part #6-1617540-4
J1MAP-6XL=M39016/7-016LTE Part #626023-000
D-711-03TE Part #4-1617813-6
TD228-7500P=TDFO .75 SEC M83726
/28-7500PTE Part #867121-1
12 POS TUBE BASE & FLY LEADSTE Part #743487-000
D-500-0255-022TE Part #696469-1
AMPPOWER,2,3/8,TIN,90,30 DEG BLTE Part #867726-1
VRL-1L DBL ENDED LEAD ASSYTE Part #066057-000
D-621-0466

Documents

Product Drawings

2004 7195 00

English

CAD Files

3D PDF

3D

Customer View Model

ENG_CVM_CVM_1050999-1_B.2d_dxf.zip



English

Customer View Model

[ENG_CVM_CVM_1050999-1_B.3d_igs.zip](#)

English

Customer View Model

[ENG_CVM_CVM_1050999-1_B.3d_stp.zip](#)

English

By downloading the CAD file I accept and agree to the [Terms and Conditions](#) of use.

Instruction Sheets

[Instruction Sheet \(U.S.\)](#)

English

[OSM Bulkhead Feedthrough Cable Jack Clamp Attachment 1050999-1, 1051000-1, and 1082812-1](#)

English