

PLEASE CHECK WWW.MOLEX.COM FOR LATEST PART INFORMATION

Part Number: [105020-6001](#)
Status: **Active**
Overview: DisplayPort* Cables and Connectors
Description: 0.50mm Pitch DisplayPort* Male Receptacle, Right Angle, Through Hole, DIP Type, 0.76µm Gold (Au) Plating, Solder Tail Length 1.80mm, 20 Circuits, Lead-Free

Documents:

[3D Model](#) [Product Specification PS-47272-001 \(PDF\)](#)
[Drawing \(PDF\)](#) [RoHS Certificate of Compliance \(PDF\)](#)

General

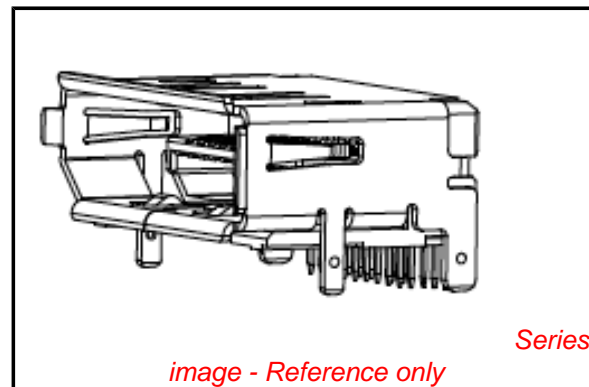
Product Family	I/O Connectors
Series	105020
Application	Wire-to-Board
Comments	Without Flange. Without Cover
Component Type	Receptacle
Overview	DisplayPort* Cables and Connectors
Product Name	DisplayPort*
Type	N/A
UPC	884982127968

Physical

Boot Color	N/A
Circuits (Loaded)	20
Circuits (maximum)	20
Color - Resin	Black
Gender	Male
Keying to Mating Part	Yes
Lock to Mating Part	Yes
Material - Metal	Copper Alloy
Material - Plating Mating	Gold
Material - Plating Termination	Tin-Bismuth
Material - Resin	High Temperature Thermoplastic
Net Weight	2.165/g
Number of Rows	2
Orientation	Right Angle
PCB Locator	No
PCB Retention	Yes
PCB Thickness - Recommended	1.40mm
Packaging Type	Embossed Tape on Reel
Panel Mount	Without Flange
Pitch - Mating Interface	0.50mm
Pitch - Termination Interface	0.50mm
Plating min - Mating	0.762µm
Plating min - Termination	1.016µm
Polarized to Mating Part	Yes
Polarized to PCB	Yes
Ports	1
Temperature Range - Operating	-20°C to +85°C
Termination Interface: Style	Through Hole
Waterproof / Dustproof	No

Electrical

Current - Maximum per Contact	0.5A
Grounding to Panel	Yes
Shielded	Yes



EU RoHS

**ELV and RoHS
Compliant**
**REACH SVHC
Contains SVHC: No**
**Low-Halogen Status
Low-Halogen**

China RoHS



**Need more information on product
environmental compliance?**

Email productcompliance@molex.com
For a multiple part number RoHS Certificate of Compliance, [click here](#)

Please visit the [Contact Us](#) section for any non-product compliance questions.

Search Parts in this Series

[105020Series](#)

Voltage - Maximum 40V AC

Solder Process Data

Duration at Max. Process Temperature (seconds)	3
Lead-free Process Capability	Reflow Capable (SMT only)
Max. Cycles at Max. Process Temperature	1
Process Temperature max. C	250

Material Info

Reference - Drawing Numbers

Electrical Model Document	EE-105020-001
Product Specification	PS-47272-001
Sales Drawing	SD-105020-003

* DisplayPort is a Trademark of VESA

This document was generated on 07/02/2013

PLEASE CHECK WWW.MOLEX.COM FOR LATEST PART INFORMATION