

PLEASE CHECK WWW.MOLEX.COM FOR LATEST PART INFORMATION

Part Number: [104539-8102](#)
Status: **Active**
Description: IllumiMate™ 1.25mm Wire-to-Board Connector, Receptacle Terminal, Pre-plated, Tin (Sn)

Documents:

[Drawing \(PDF\)](#) [Product Specification PS-104130-002 \(PDF\)](#)
[Product Specification PS-104130-001 \(PDF\)](#) [RoHS Certificate of Compliance \(PDF\)](#)

General

Product Family	Crimp Terminals
Series	104539
Application	Signal
Crimp Quality Equipment	Yes
Product Name	IllumiMate™
UPC	884982703599

Physical

Durability (mating cycles max)	30
Gender	Receptacle
Material - Metal	Phosphor Bronze
Material - Plating Mating	Tin
Material - Plating Termination	Tin
Net Weight	0.019/g
Packaging Type	Reel
Termination Interface: Style	Crimp or Compression
Wire Insulation Diameter	0.95mm max.
Wire Size AWG	30, 32
Wire Size mm ²	N/A

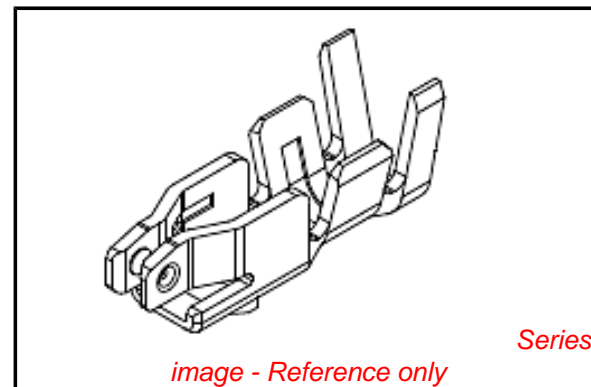
Electrical

Current - Maximum per Contact	1A
Voltage - Maximum	250V

Material Info

Reference - Drawing Numbers

Crimp Specification	CS-104539-001
Product Specification	PS-104130-001, PS-104130-002
Sales Drawing	SD-104539-002



EU RoHS

ELV and RoHS Compliant
REACH SVHC Contains SVHC: No
Low-Halogen Status Low-Halogen

China RoHS



Need more information on product environmental compliance?

Email productcompliance@molex.com
 For a multiple part number RoHS Certificate of Compliance, [click here](#)

Please visit the [Contact Us](#) section for any non-product compliance questions.

Search Parts in this Series

[104539Series](#)

Use With

[104131-0300](#) , [104131-0500](#)