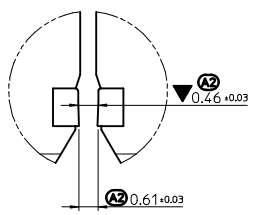
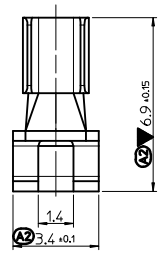
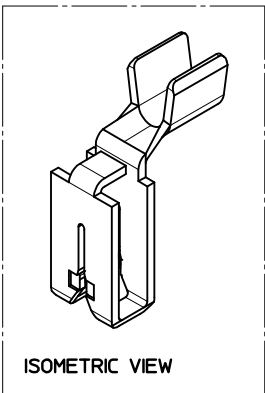


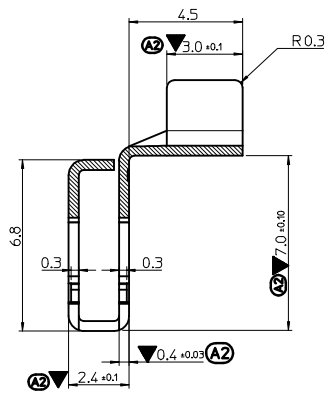
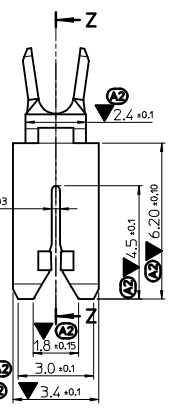
10 9 8 7 6 5 4 3 2 1



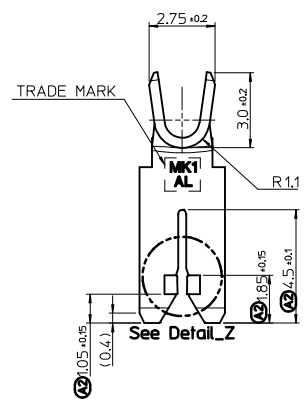
DETAIL Z
(SCALE 10:1)



ISOMETRIC VIEW



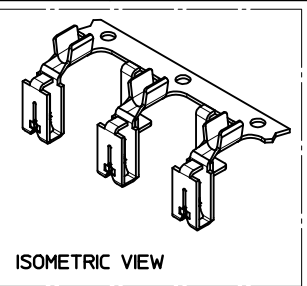
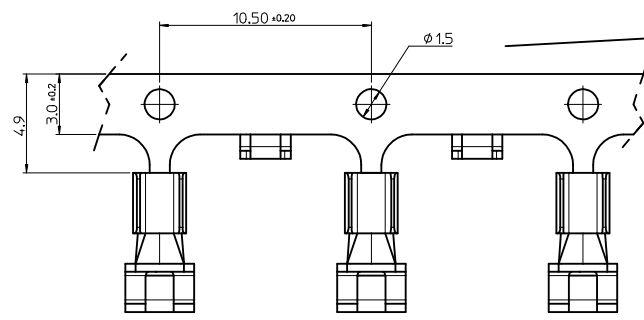
SECTION Z-Z



See Detail_Z

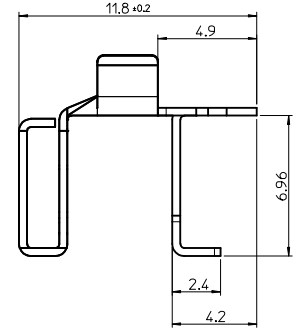
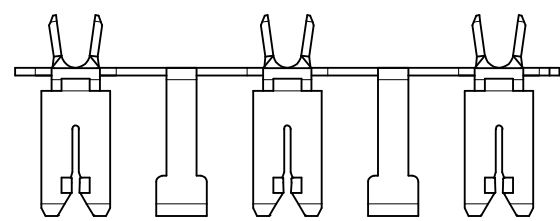
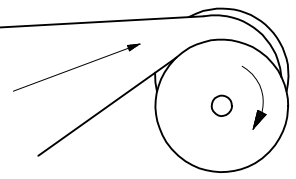
CARRIER LAY-OUT
(SCALE 4:1)

DIE FEED DIRECTION



ISOMETRIC VIEW

REEL DIRECTION



NOTES

1. MATERIAL : BRASS C26800 H04, THICKNESS: 0.40mm
2. FINISHES : UNPLATED
3. PRESS BURR: 0.04mm MAX.

REVISED EC NO: KOR2014-0027 DRWN:SKCHO 2013/09/03 CHKD:SHCHU 2013/09/03 APPR:YSKIM02 2013/10/01	QUALITY SYMBOLS ▽=11 ◻=1	GENERAL TOLERANCES (UNLESS SPECIFIED)		DIMENSION STYLE	SCALE	DESIGN UNITS	THIRD ANGLE PROJECTION	
		mm	INCH	MM ONLY	5/1	METRIC		
		4 PLACES	± ---	± ---	DRAWN BY	DATE		TITLE
		3 PLACES	± ---	± ---	SKCHO	2011/10/11		BLDC IDT TERMINAL AL & CU WIRE
A2	REV	2 PLACES	± 0.15	± ---	CHECKED BY	DATE	molex	
		1 PLACE	± 0.20	± ---	SHCHU	2011/10/11		
		0 PLACE	± ---	± ---	APPROVED BY	DATE		SD-104484-003
		ANGULAR ± 1 °		YUNSIKKIM	2011/11/04	1044848300		SD-104484-003
DRAFT WHERE APPLICABLE MUST REMAIN WITHIN DIMENSIONS		MATERIAL NO.		DOCUMENT NO.		THIS DRAWING CONTAINS INFORMATION THAT IS PROPRIETARY TO MOLEX INCORPORATED AND SHOULD NOT BE USED WITHOUT WRITTEN PERMISSION		

9 8 7 6 5 4 3 2 1

