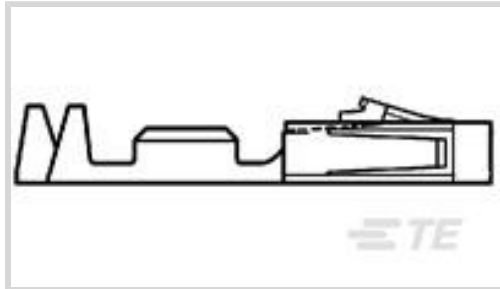




Connectors > Contacts > Connector Contacts



Contact Type: **Socket**

Contact Mating Area Plating Material: **Gold**

Wire Contact Termination Area Plating Material: **Tin-Lead over Nickel**

Operating Voltage: **300 VAC**

Compatible With Wire & Cable Type: **Discrete Wire**

Features

Product Type Features

Applied Pressure	Standard
------------------	----------

Configuration Features

Compatible With Wire & Cable Type	Discrete Wire
-----------------------------------	---------------

Electrical Characteristics

Termination Resistance	12 mΩ
Insulation Resistance	5000 MΩ
Dielectric Withstanding Voltage (Max)	750 V
Operating Voltage	300 VAC

Contact Features

Mating Square Post Dimension	.64 mm[.025 in]
Contact Type	Socket
Contact Mating Area Plating Material	Gold
Wire Contact Termination Area Plating Material	Tin-Lead over Nickel
Contact Base Material	Copper Alloy
Contact Current Rating (Max)	3 A

Termination Features

Termination Method to Wire & Cable	Crimp
Product Terminates To	Wire & Cable



Mechanical Attachment

Wire Insulation Support	With
-------------------------	------

Dimensions

Compatible Insulation Diameter Range	.64 – 1.52 mm [.025 – .06 in]
--------------------------------------	-------------------------------

Wire Size	394.71 – 1184.12 CMA
-----------	----------------------

Usage Conditions

Operating Temperature Range	-65 – 105 °C [-85 – 221 °F]
-----------------------------	-----------------------------

Operation/Application

Circuit Application	Power & Signal
---------------------	----------------

Industry Standards

Compatible With Approved Standards Products	CSA LR7189, UL E28476
---	-----------------------

Packaging Features

Packaging Quantity	15000
--------------------	-------

Packaging Method	Reel
------------------	------

Product Compliance

[For compliance documentation, visit the product page on TE.com>](#)

EU RoHS Directive 2011/65/EU	Not Compliant
------------------------------	---------------

EU ELV Directive 2000/53/EC	Not Compliant
-----------------------------	---------------

China RoHS 2 Directive MIIT Order No 32, 2016	Restricted Materials Above Threshold
---	--------------------------------------

EU REACH Regulation (EC) No. 1907/2006	<p>Current ECHA Candidate List: JUNE 2024 (241)</p> <p>Candidate List Declared Against: JAN 2024 (240)</p> <p>SVHC > Threshold:</p> <p>Pb (13% in Component Part)</p>
--	--

Article Safe Usage Statements:
Do not eat, drink or smoke when using this product. Wash thoroughly after handling. Recycle if possible and dispose of the article by following all applicable governmental regulations relevant to your geographic location.

Halogen Content	Low Halogen - Br, Cl, F, I < 900 ppm per homogenous material. Also BFR/CFR/PVC Free
-----------------	---

Solder Process Capability	Not applicable for solder process capability
---------------------------	--

Product Compliance Disclaimer

This information is provided based on reasonable inquiry of our suppliers and represents our current actual knowledge based on the information they provided. This information is subject to change. The part numbers that TE has identified as EU RoHS compliant have a maximum concentration of 0.1% by weight in homogenous materials for lead, hexavalent

chromium, mercury, PBB, PBDE, DBP, BBP, DEHP, DIBP, and 0.01% for cadmium, or qualify for an exemption to these limits as defined in the Annexes of Directive 2011/65/EU (RoHS2). Finished electrical and electronic equipment products will be CE marked as required by Directive 2011/65/EU. Components may not be CE marked. Additionally, the part numbers that TE has identified as EU ELV compliant have a maximum concentration of 0.1% by weight in homogenous materials for lead, hexavalent chromium, and mercury, and 0.01% for cadmium, or qualify for an exemption to these limits as defined in the Annexes of Directive 2000/53/EC (ELV). Regarding the REACH Regulation, the information TE provides on SVHC in articles for this part number is based on the latest European Chemicals Agency (ECHA) 'Guidance on requirements for substances in articles' posted at this URL: <https://echa.europa.eu/guidance-documents/guidance-on-reach>

Compatible Parts



TE Part # 843477-1
TOOL, EXTRACTION RESET



TE Part # 91601-1
CCII AMPMODU SHORT POINT REC 24-20 ASSY



TE Part # 2266323-1
OCEAN-2.0-APPLICATOR-S-055F062O-RSM



TE Part # 2266323-2
OCEAN-2.0-APPLICATOR-S-055F062OA-RSA



KIT
REPRESENTATION ONLY

TE Part # 7-2266323-7
OCEAN_2.0_SPARE_PART_KIT-055F062O




TE Part # 7-2266323-1
OCEAN-2.0-APPLICATOR-S-055F062O

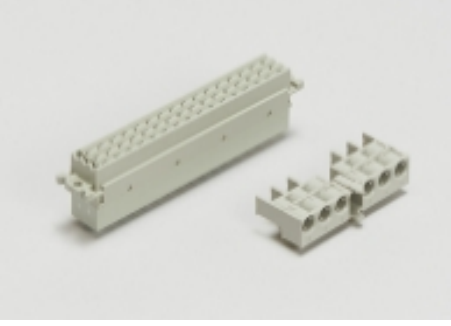


TE Part # 7-2266323-2
OCEAN-2.0-APPLICATOR-S-055F062OA


Also in the Series | AMPMODU IV/V




Automotive Housings(1)



Backplane Connector Housings(1)




Connector Caps & Covers(18)



Connector Contacts(321)




Connector Hardware(13)



Insertion & Extraction Tools(4)



PCB Headers & Receptacles(931)



Rectangular Connector Housings(5)



Standard Rectangular Connectors(8)

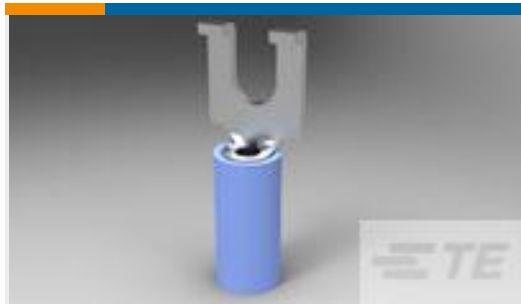


Wire-to-Board Connector Assemblies & Housings(438)

Customers Also Bought



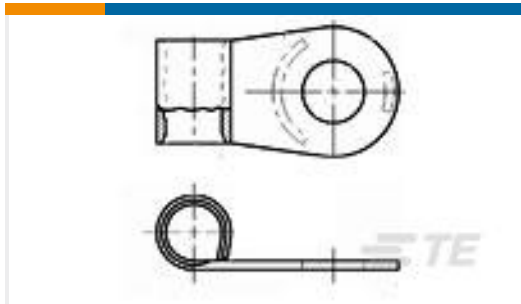
TE Part #208718-1
CMC PLUG ASSEMBLY, SZ 14-5



TE Part #2-320861-1
TERMINAL, PIDG SPD FLG 16-14 6



TE Part #2-1625999-7
HSC100 2R7 5%



TE Part #322727
TERMINAL, SOLIS FLAG R 8 1/4



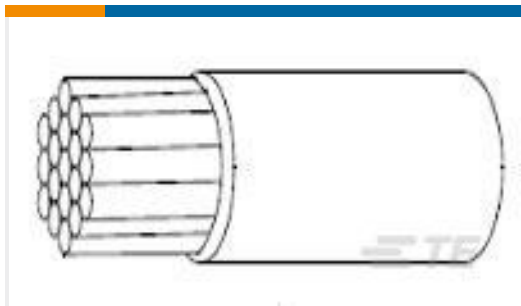
TE Part #5390377-5
50 POS A/P PLUG 25 CL 30AU



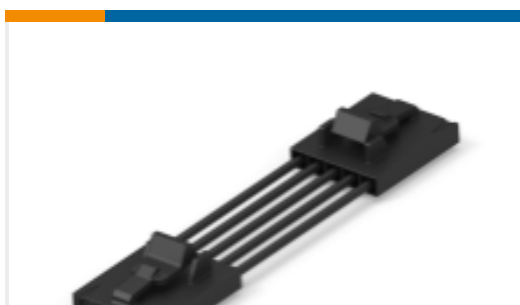
TE Part #134962-1
TERM, RT, STRAT, SOLIS, HR, 8, M10



TE Part #41194
250 FASTON, REC., 18-14 AWG, TPBR



TE Part #216390-000
22759/32-28-9



TE Part #2267795-5
CA, MTE FOW-FOW, 6POS, 75mm
15Au, 24AWG



TE Part #C28108-000
WP-381127-5-9

Documents

Product Drawings

[SHORT POINT CONT 15 DPLX STMPD](#)

English

CAD Files

[3D PDF](#)

English

Customer View Model

[ENG_CVM_104479-3_R.2d_dxf.zip](#)



English

Customer View Model

[ENG_CVM_104479-3_R.3d_igs.zip](#)

English

Customer View Model

[ENG_CVM_104479-3_R.3d_stp.zip](#)

English

[3D PDF](#)

3D

Customer View Model

[ENG_CVM_CVM_104479-3_AF.2d_dxf.zip](#)

English

Customer View Model

[ENG_CVM_CVM_104479-3_AF.3d_igs.zip](#)

English

Customer View Model

[ENG_CVM_CVM_104479-3_AF.3d_stp.zip](#)

English

By downloading the CAD file I accept and agree to the [Terms and Conditions](#) of use.

[Product Specifications](#)

[Application Specification](#)

English