

PLEASE CHECK WWW.MOLEX.COM FOR LATEST PART INFORMATION

Part Number: [104081-0282](#)
Status: **Active**
Description: 0.070 Multi Wire-to-Wire Common TPA™, 8.50mm Pitch, 2 Circuits, Red

Documents:

[Drawing \(PDF\)](#) [Packaging Specification PK-104081-001 \(PDF\)](#)
[Product Specification PS-35180-002 \(PDF\)](#) [RoHS Certificate of Compliance \(PDF\)](#)

General

Product Family	Accessories
Series	104081
Component Type	Retainer
Product Name	N/A
UPC	884982213166

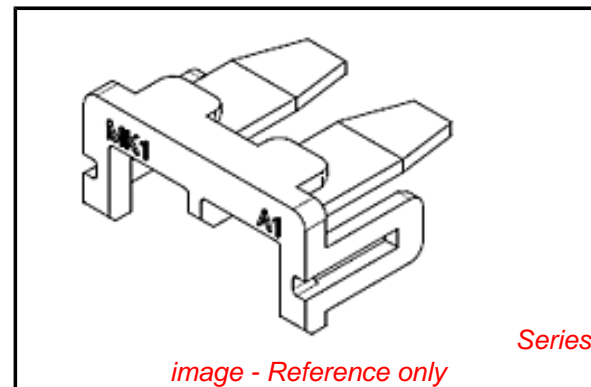
Physical

Circuits (Loaded)	2
Color - Resin	Red
Lock to Mating Part	Yes
Material - Resin	Nylon
Net Weight	400.000/g
Number of Rows	1
Packaging Type	Bag
Temperature Range - Operating	-40°C to +120°C

Material Info

Reference - Drawing Numbers

Packaging Specification	PK-104081-001
Product Specification	PS-35180-002
Sales Drawing	SD-104081-001



EU RoHS

**ELV and RoHS
Compliant**

REACH SVHC

Not Reviewed

Low-Halogen Status

Low-Halogen

China RoHS



**Need more information on product
environmental compliance?**

Email productcompliance@molex.com
 For a multiple part number RoHS Certificate of
 Compliance, [click here](#)

Please visit the [Contact Us](#) section for any
 non-product compliance questions.

Search Parts in this Series

104081Series

Use With

35965 1.78mm Tab Multiple Wire-to-Wire
 Female Housing