

**PLEASE CHECK WWW.MOLEX.COM FOR LATEST PART INFORMATION**

**Part Number:** [104037-0345](#)  
**Status:** **Active**  
**Description:** Sealed S8 Bulb Socket, 3 Circuit, Lug Pattern D, Focal Length 29.45mm (1.159"), Gray

**Documents:**

[Drawing \(PDF\)](#) [Packaging Specification PK-104037-001 \(PDF\)](#)  
[Product Specification PS-49454-001 \(PDF\)](#) [RoHS Certificate of Compliance \(PDF\)](#)

**General**

Product Family	Other Sockets
Series	<a href="#">104037</a>
Component Type	Socket
Product Name	S8
UPC	884982284630

**Physical**

Circuits (Loaded)	3
Color - Resin	Gray
Durability (mating cycles max)	Contact Molex
Entry Angle	Vertical (Top Entry)
Keying to Mating Part	Yes
Net Weight	17.604/g
PCB Locator	No
PCB Retention	N/A
PCB Thickness - Recommended	3.00mm
Packaging Type	Carton
Pitch - Mating Interface	N/A
Temperature Range - Operating	-40°C to +85°C
Termination Interface: Style	Surface Mount

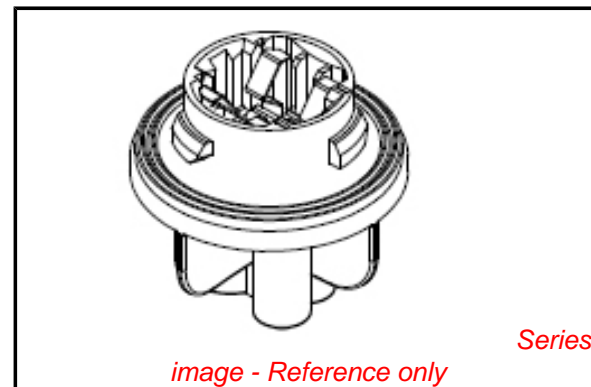
**Electrical**

Current - Maximum per Contact	2.4A
Voltage - Maximum	14V DC

**Material Info**

**Reference - Drawing Numbers**

Packaging Specification	PK-104037-001
Product Specification	PS-49454-001
Sales Drawing	SD-49454-001



**EU RoHS**

**ELV and RoHS  
Compliant**  
**REACH SVHC**  
 Not Reviewed  
**Low-Halogen Status**  
**Low-Halogen**

**China RoHS**



**Need more information on product  
environmental compliance?**

Email [productcompliance@molex.com](mailto:productcompliance@molex.com)  
 For a multiple part number RoHS Certificate of  
 Compliance, [click here](#)

Please visit the [Contact Us](#) section for any  
 non-product compliance questions.

**Search Parts in this Series**  
[104037Series](#)