

PLEASE CHECK WWW.MOLEX.COM FOR LATEST PART INFORMATION

Part Number: [104026-0725](#)
Status: **Active**
Overview: HSAutoLink™ Interconnect System (USCAR USB High Speed Data Bus)
Description: 0.80mm Pitch HSAutoLink™ Right Angle Header, 5 Circuit, Type B

Documents:

[3D Model](#) [Packaging Specification PK-49616-001 \(PDF\)](#)
[Drawing \(PDF\)](#) [RoHS Certificate of Compliance \(PDF\)](#)

General

Product Family	PCB Headers
Series	104026
Application	Signal, Wire-to-Board
Overview	HSAutoLink™ Interconnect System (USCAR USB High Speed Data Bus)
Product Name	HSAutoLink™
UPC	883906385736

Physical

Breakaway	No
Circuits (Loaded)	5
Circuits (maximum)	5
Color - Resin	Black
Durability (mating cycles max)	250
First Mate / Last Break	No
Glow-Wire Compliant	No
Guide to Mating Part	No
Keying to Mating Part	None
Lock to Mating Part	Yes
Material - Metal	Copper Alloy
Material - Plating Mating	Gold
Material - Plating Termination	Nickel
Material - Resin	High Temperature Thermoplastic
Net Weight	3713.790/mg
Number of Rows	1
Orientation	Right Angle
PCB Locator	Yes
PCB Retention	Yes
PCB Thickness - Recommended	1.60mm
Packaging Type	Tray
Pitch - Mating Interface	0.80mm
Pitch - Termination Interface	0.80mm
Polarized to Mating Part	Yes
Polarized to PCB	Yes
Shrouded	No
Stackable	No
Temperature Range - Operating	-40°C to +85°C
Termination Interface: Style	Through Hole

Electrical

Current - Maximum per Contact	1A
Voltage - Maximum	5V (RMS)

Material Info

Reference - Drawing Numbers

Packaging Specification	PK-49616-001
-------------------------	--------------

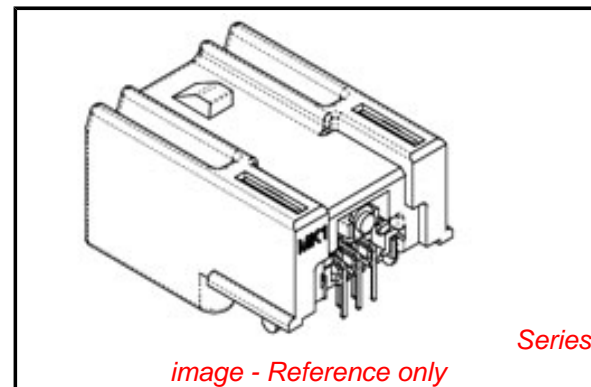


image - Reference only

EU RoHS

ELV and RoHS Compliant
REACH SVHC Contains SVHC: No
Low-Halogen Status Low-Halogen

China RoHS



Need more information on product environmental compliance?

Email productcompliance@molex.com
 For a multiple part number RoHS Certificate of Compliance, [click here](#)

Please visit the [Contact Us](#) section for any non-product compliance questions.

Search Parts in this Series

104026Series

Mates With

HS AutoLink™ Cable Assembly [111014](#), [111015](#), [111005](#), [111041](#), [111019](#), [111020](#)

This document was generated on 06/05/2013

PLEASE CHECK WWW.MOLEX.COM FOR LATEST PART INFORMATION