

103680-5 ✓ ACTIVE

AMPMODU | AMPMODU MTE

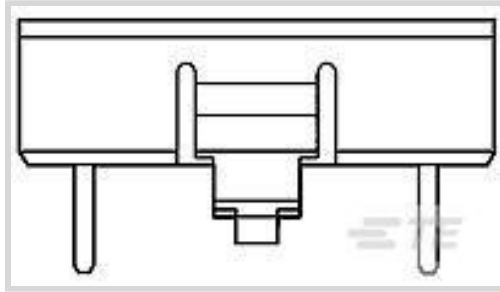
TE Internal #: 103680-5

Coupling Shroud, Black, Thermoplastic, 8 Position, AMPMODU MTE

[View on TE.com >](#)



Connectors > Connector Accessories > Connector Caps & Covers



Connector Cover Type: **Coupling Shroud**

Primary Product Color: **Black**

Primary Product Material: **Thermoplastic**

Number of Positions: **8**

Operating Temperature (Max): **105 °C [ 221 °F ]**

## Features

### Product Type Features

Connector Cover Type	Coupling Shroud
----------------------	-----------------

### Configuration Features

Number of Rows	1
Number of Positions	8

### Body Features

Primary Product Color	Black
Primary Product Material	Thermoplastic

### Mechanical Attachment

Mating Alignment Type	Latched
Mating Alignment	With

### Dimensions

Product Width	7.8 mm[.242 in]
Product Length	22.48 mm[.885 in]
Product Height	6.15 mm[.582 in]

### Usage Conditions

Operating Temperature (Max)	105 °C[221 °F]
Operating Temperature Range	-65 - 105 °C[-85 - 221 °F]

### Industry Standards



UL Flammability Rating	UL 94V-0
------------------------	----------

**Packaging Features**

Packaging Method	Package
------------------	---------

**Product Compliance**

[For compliance documentation, visit the product page on TE.com>](#)

EU RoHS Directive 2011/65/EU	Compliant
EU ELV Directive 2000/53/EC	Compliant
China RoHS 2 Directive MIIT Order No 32, 2016	No Restricted Materials Above Threshold
EU REACH Regulation (EC) No. 1907/2006	Current ECHA Candidate List: JAN 2024 (240) Candidate List Declared Against: JAN 2024 (240) Does not contain REACH SVHC
Halogen Content	BFR/CFR/PVC Free, but Br/Cl >900 ppm in other sources.
Solder Process Capability	Not applicable for solder process capability

Product Compliance Disclaimer

This information is provided based on reasonable inquiry of our suppliers and represents our current actual knowledge based on the information they provided. This information is subject to change. The part numbers that TE has identified as EU RoHS compliant have a maximum concentration of 0.1% by weight in homogenous materials for lead, hexavalent chromium, mercury, PBB, PBDE, DBP, BBP, DEHP, DIBP, and 0.01% for cadmium, or qualify for an exemption to these limits as defined in the Annexes of Directive 2011/65/EU (RoHS2). Finished electrical and electronic equipment products will be CE marked as required by Directive 2011/65/EU. Components may not be CE marked. Additionally, the part numbers that TE has identified as EU ELV compliant have a maximum concentration of 0.1% by weight in homogenous materials for lead, hexavalent chromium, and mercury, and 0.01% for cadmium, or qualify for an exemption to these limits as defined in the Annexes of Directive 2000/53/EC (ELV). Regarding the REACH Regulation, the information TE provides on SVHC in articles for this part number is based on the latest European Chemicals Agency (ECHA) 'Guidance on requirements for substances in articles' posted at this URL: <https://echa.europa.eu/guidance-documents/guidance-on-reach>

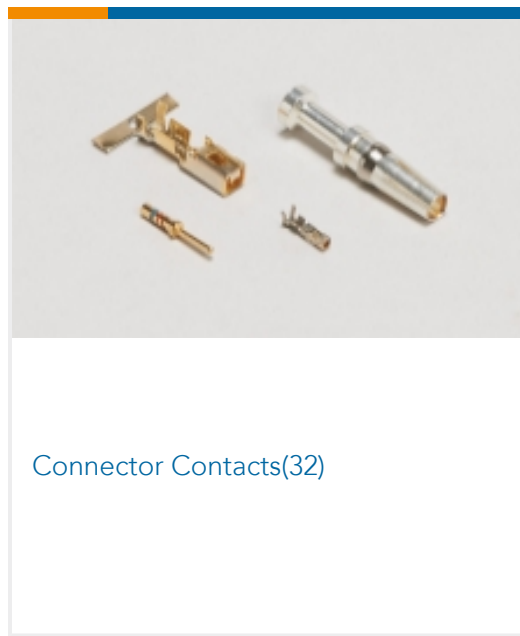
**Compatible Parts**

 <p>TE Part # 5-103969-1 10X2 MTE RCPT SR RIBBED .100CL</p>	 <p>TE Part # 5-103969-3 5X4 MTE RCPT SR RIBBED .100CL</p>	 <p>TE Part # 5-103969-4 4X5 MTE RCPT SR RIBBED .100CL</p>	 <p>TE Part # 5-103969-2 8X3 MTE RCPT SR RIBBED .100CL</p>
--	---	---	---

**Also in the Series | AMPMODU MTE**



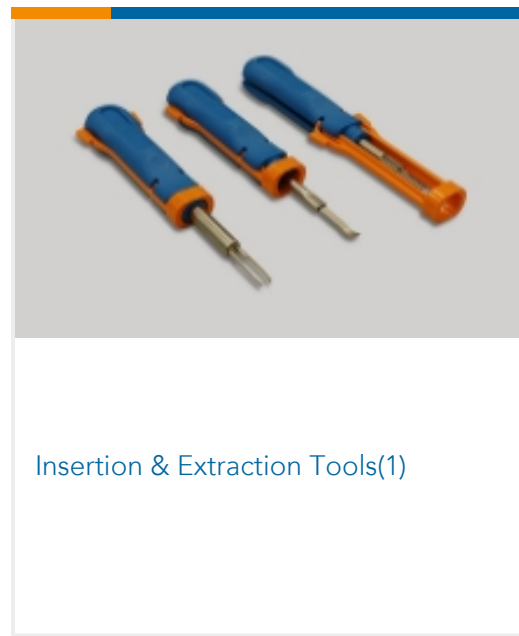
Connector Caps & Covers(40)



Connector Contacts(32)



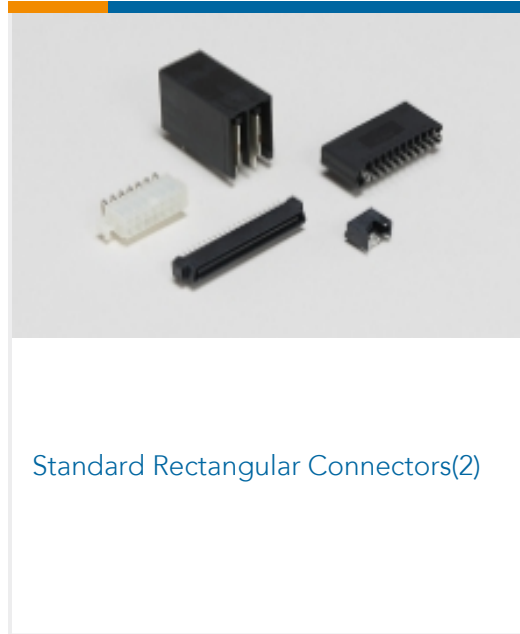
Connector Hardware(1)



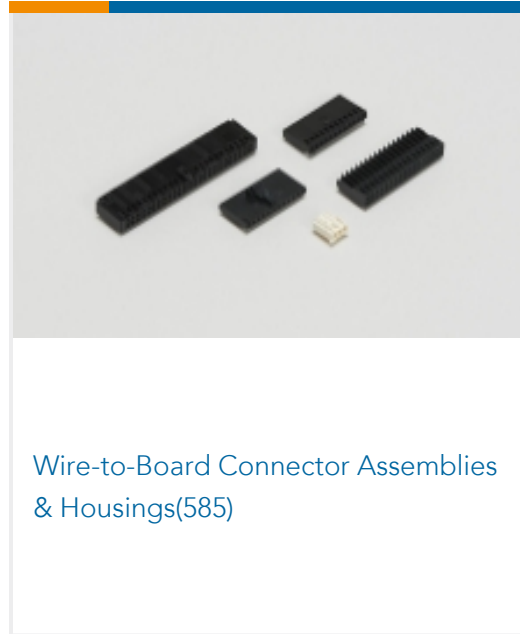
Insertion & Extraction Tools(1)



PCB Headers & Receptacles(763)



Standard Rectangular Connectors(2)



Wire-to-Board Connector Assemblies & Housings(585)

## Customers Also Bought



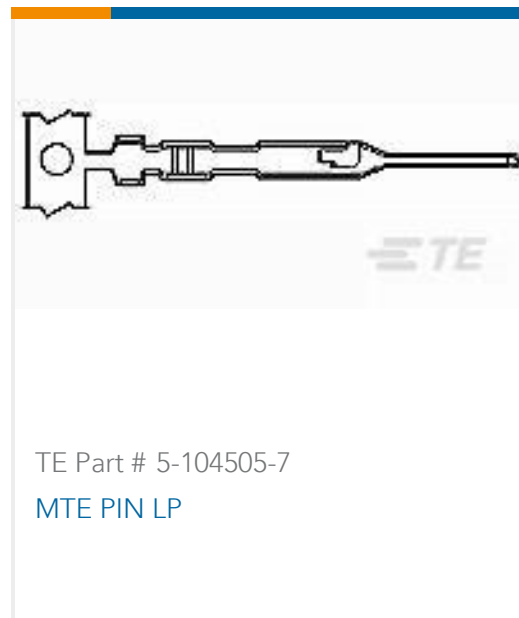
TE Part # 206430-1  
RECPT, SZ 11-4, CPC



TE Part # 8-215083-0  
MICRO-MATCH MOW.10P



TE Part # 925370-5  
MOD IV REC HSG 2X5P.



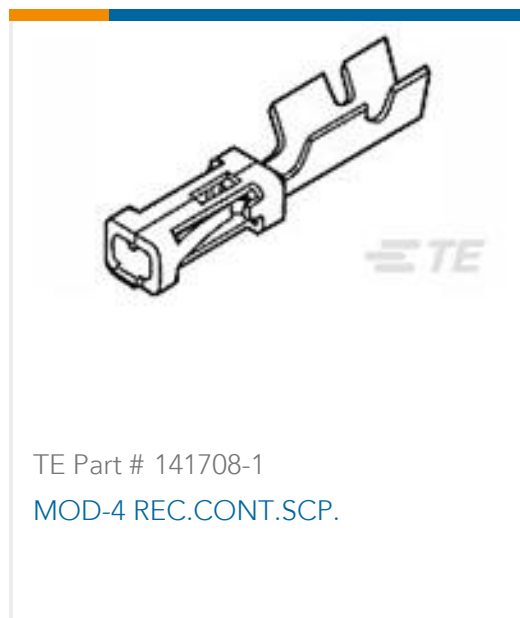
TE Part # 5-104505-7  
MTE PIN LP



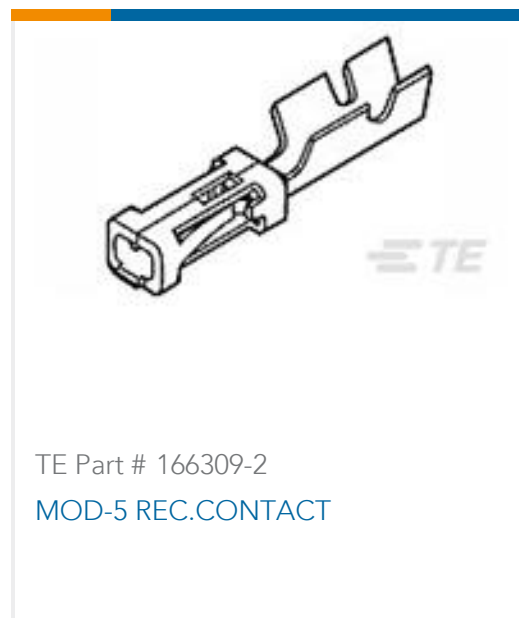
TE Part # 104257-5  
06 MTE RCPT HSG SR LATCH .100



TE Part # 925369-6  
MOD 4 REC.HSG 1X06P



TE Part # 141708-1  
MOD-4 REC.CONT.SCP.



TE Part # 166309-2  
MOD-5 REC.CONTACT



TE Part # 925370-3  
MOD IV REC HSG, 2X3P

## Documents



### Product Drawings

#### 08 MTE COUPLING SHRD SR

English

---

### CAD Files

#### Customer View Model

[ENG\\_CVM\\_CVM\\_103680-5\\_L.2d\\_dxf.zip](#)

English

#### 3D PDF

3D

#### Customer View Model

[ENG\\_CVM\\_CVM\\_103680-5\\_L.3d\\_igs.zip](#)

English

#### Customer View Model

[ENG\\_CVM\\_CVM\\_103680-5\\_L.3d\\_stp.zip](#)

English

By downloading the CAD file I accept and agree to the [Terms and Conditions](#) of use.

---

### Datasheets & Catalog Pages

#### AMP MODU MTE Section of Catalog 1307819

English

#### AMPMODU\_INTERCONNECTION\_SYSTEM\_SECTION5\_CONT

English

#### AMPMODU MTE INTERCONNECT SYSTEM

English

---

### Product Specifications

#### Application Specification

English

---

### Instruction Sheets

#### Instruction Sheet (U.S.)

English