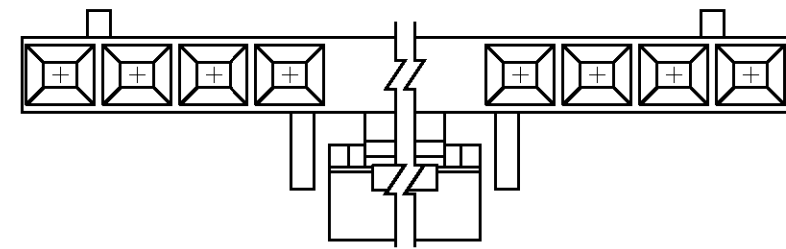
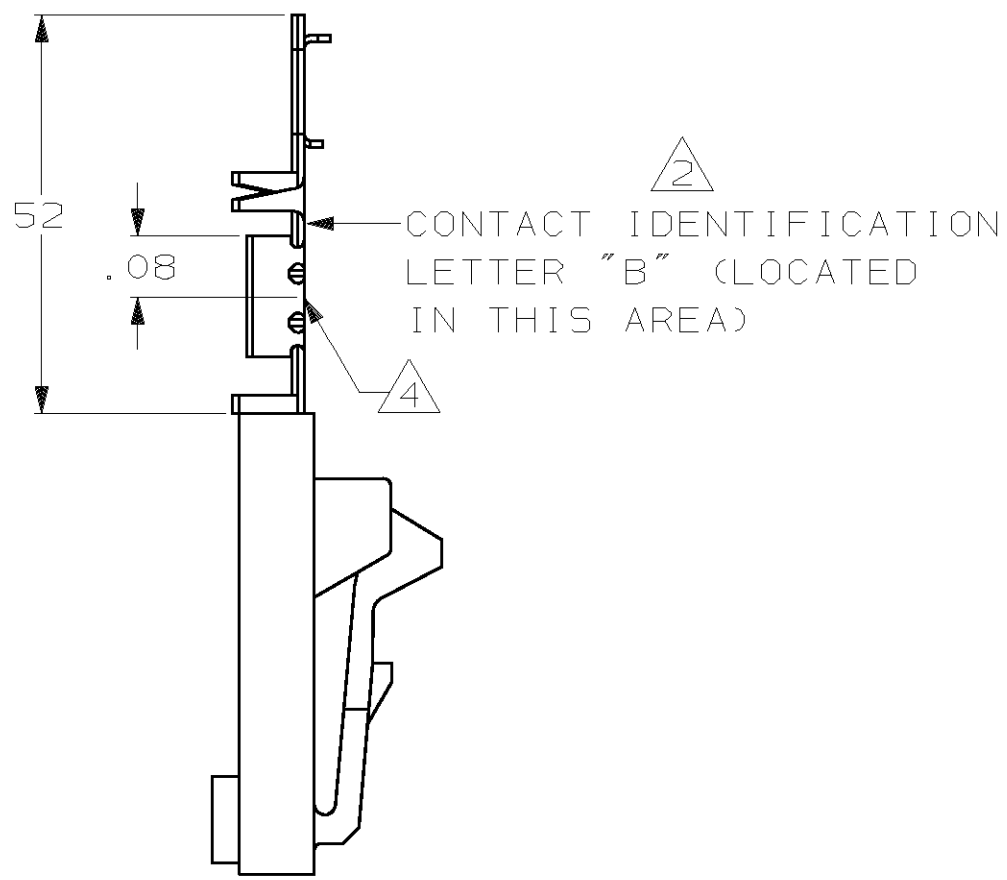
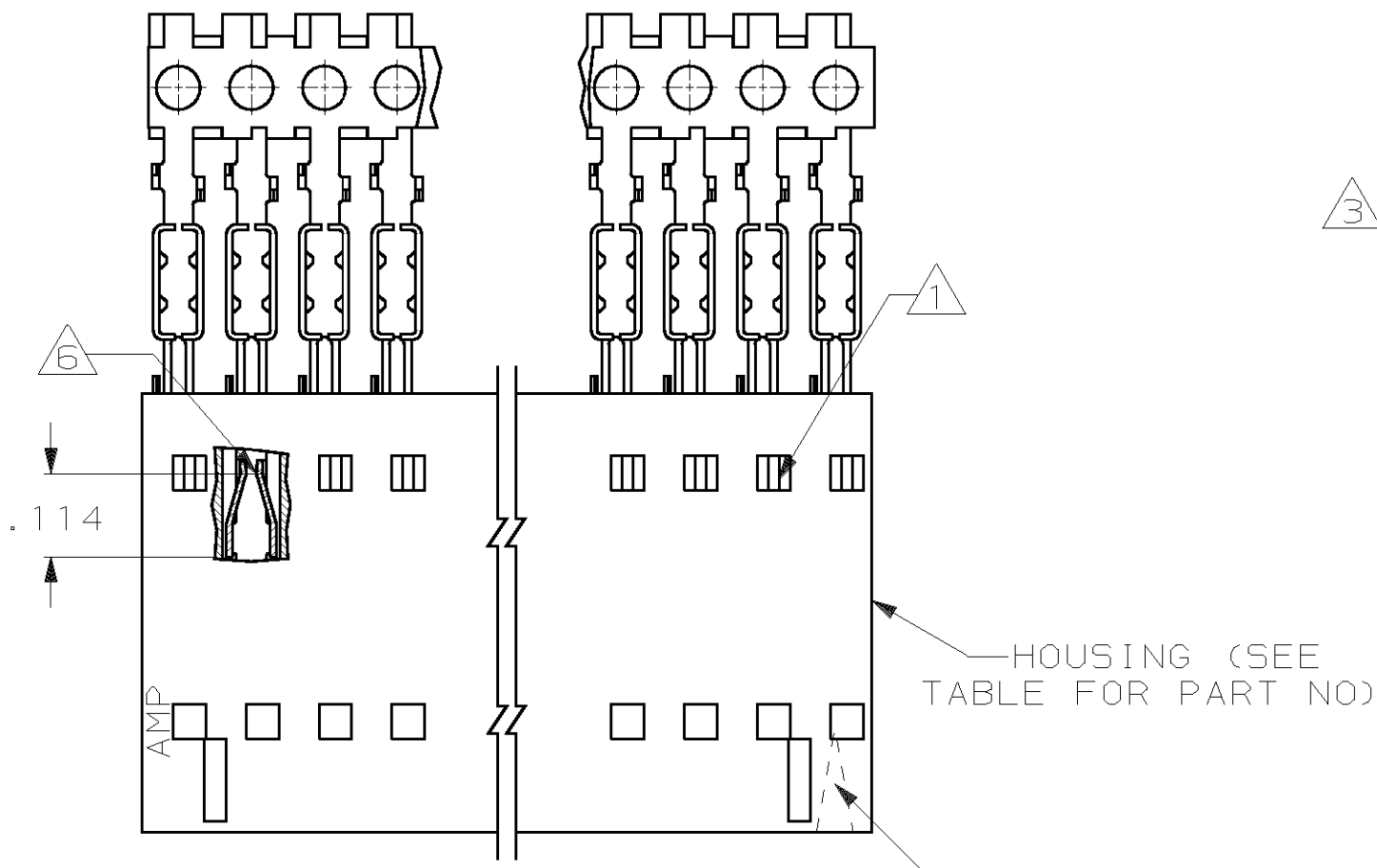


THIS DRA RELEASED FOR PUBLICATION , 19 .
 © COPYRIGHT 19 BY AMP INCORPORATED, HARRISBURG, PA. ALL INTERNATIONAL RIGHTS RESERVED. AMP PRODUCTS MAY BE COVERED BY U.S. AND FOREIGN PATENTS AND/OR PATENTS PENDING.

LOC AD DIST 39 P F

REVISONS		DATE	APPROVED
ZONE	LTR	DESCRIPTION	
E		ECN 1166 REVISED & REDRAWN	-
F		REV ECN 1736	-
G		SUPSD -1 THRU -4 PER ECN AR2268 CO	4-89
H		REV LOC & DIST AD-4171	3-90 BF
J		REV PER 0010-0832-93	7-93 JG
K		REV PER 0010-0782-93	2-16-94 JG
L		REV PER 0010-1884-93	2-16-94 JG
M		REV PER 0010-0689-94	5-31-94 JG
N		REV PER 0010-0809-94	5-31-94 JG
P		REV PER 0310-0412-97	02-FEB-98 JG
R		REV PER 063C-0290-00	19JUL00 KW
S		REV PER 063C-0019-00	19JUL00 KW



POSITION #1 INDICATOR (FAR SIDE)

HOUSING (SEE TABLE FOR PART NO)

- ① CONTACTS ARE LATCHED INTO THE PRELOAD WINDOWS
- ② USE WITH #22-#26 AWG WIRE SIZE, .054/.030 INSULATION DIAMETER, .015 MAXIMUM INSULATION THICKNESS
- ③ THE DIMENSION APPLIES WITH THE FORWARD PRELOAD STOP IN CONTACT WITH THE HOUSING SURFACE
- ④ POINT OF MEASUREMENT FOR PLATING THICKNESS
- ⑤ FOR STRIP ASSEMBLIES SEE PART NUMBER 103956
- ⑥ POINT OF MEASUREMENT FOR PLATING THICKNESS (INSIDE BEAMS)

2-104257-4	25	2-103645-4	
2-104257-3	24	2-103645-3	
2-104257-2	23	2-103645-2	
2-104257-1	22	2-103645-1	
2-104257-0	21	2-103645-0	
1-104257-9	20	1-103645-9	
1-104257-8	19	1-103645-8	
1-104257-7	18	1-103645-7	
1-104257-6	17	1-103645-6	
1-104257-5	16	1-103645-5	
1-104257-4	15	1-103645-4	
1-104257-3	14	1-103645-3	
1-104257-2	13	1-103645-2	
SUPERSEDED BY 1-103956-1	1-104257-1	12	1-103645-1
SUPERSEDED BY 1-103956-0	1-104257-0	11	1-103645-0
SUPERSEDED BY 103956-9	104257-9	10	103645-9
SUPERSEDED BY 103956-8	104257-8	9	103645-8
SUPERSEDED BY 103956-7	104257-7	8	103645-7
SUPERSEDED BY 103956-6	104257-6	7	103645-6
SUPERSEDED BY 103956-5	104257-5	6	103645-5
SUPERSEDED BY 103956-4	104257-4	5	103645-4
SUPERSEDED BY 103956-3	104257-3	4	103645-3
SUPERSEDED BY 103956-2	104257-2	3	103645-2
SUPERSEDED BY 103956-1	104257-1	2	103645-1

HOUSING PART NUMBER	NO OF POSN	ASSEMBLY PART NUMBER

UNLESS OTHERWISE SPECIFIED DIMENSIONS ARE IN INCHES TOLERANCES ON :	DR 11-4-86 L A MAYER
2 PL DEC ± .02	CHK 11-12-86 P de Jong
3 PL DEC ± .005	APPD 11-12-86 P de Jong
ANGLES ± -	APPD 11-13-86 J SCHIEFER
MATERIAL: HOUSING- FLAME RETARDANT THERMOPLASTIC, COLOR-BLACK	PRODUCT SPEC 108-25034
CONTACTS- PHOS BRONZE	APPLICATION SPEC 114-25026
FINISH: CONTACTS: .000100-.000200 TIN-LEAD OVER .000050 NICKEL	WEIGHT -

AMP AMP INCORPORATED Harrisburg, Pa. 17105	
NAME RCPT ASSY, AMPMODU [®] MTE, SINGLE ROW, .100 ϕ , LATCHED & POLARIZED, FOR #22-#26 AWG WIRE SIZE	
SIZE C	F5CM NO 00779
DRAWING NO 103645	SHEET 1 OF 1
SCALE 4:1	