

Temperature module - AXL F RTD4 XC 1H



1035430

<https://www.phoenixcontact.com/de/produkte/1035430>

Please be informed that the data shown in this PDF document is generated from our Online Catalog. Please find the complete data in the user documentation. Our General Terms of Use for Downloads are valid.



Axioline F, Temperature recording module, Analog inputs: 4 (for resistance temperature detectors), connection technology: 2-, 3-, 4-conductor (shielded), transmission speed in the local bus: 100 Mbps, Extreme conditions version, degree of protection: IP20, including bus base module and Axioline F connectors

Product Description

The module is designed for use within an Axioline F station. It is used to acquire signals from resistive temperature sensors. The module supports all common platinum and nickel sensors in accordance with DIN EN 60751 and SAMA. Cu10, Cu50, Cu53 sensors as well as various KTY8x sensor types are also supported.

Your advantages

- 4 analog input channels for connecting resistance temperature detectors (RTDs)
- 500 Ω and 5 k Ω linear inputs
- Connection of sensors in 2-, 3-, and 4-conductor technology
- Integrated, digital sensor linearization
- Standardized measured value representation directly in $^{\circ}\text{C}$, $^{\circ}\text{F}$ or Ω
- Measured value display in 16-bit format or floating point format
- Programmable filters
- Short-circuit protected inputs
- Temperature stability
- Very high level of noise immunity
- Low noise emission
- Installation monitoring by means of "Channel scout" function
- Can be used under extreme ambient conditions
- Extended temperature range of $-40\text{ }^{\circ}\text{C}$... $+70\text{ }^{\circ}\text{C}$ (see "Tested successfully: use under extreme ambient conditions" in the data sheet)
- Partially coated PCBs
- Device rating plate stored

Commercial Data

Item number	1035430
Packing unit	1 pc
Minimum order quantity	1 pc
Sales Key	O1 - Automatisierungssys.
Product Key	DRI243
Catalog Page	Page 86 (C-6-2019)
GTIN	4055626541839

Temperature module - AXL F RTD4 XC 1H



1035430

<https://www.phoenixcontact.com/de/produkte/1035430>

Weight per Piece (including packing)	208 g
Weight per Piece (excluding packing)	144 g
Customs tariff number	85389091
Country of origin	DE

Temperature module - AXL F RTD4 XC 1H

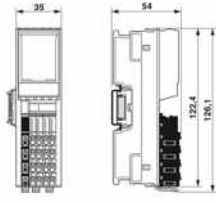


1035430

<https://www.phoenixcontact.com/de/produkte/1035430>

Technical Data

Dimensions

Dimensional drawing	
Width	35 mm
Height	126.1 mm
Depth	54 mm
Note on dimensions	The depth applies when a TH 35-7.5 DIN rail is used (in accordance with EN 60715).

Material specifications

Color	traffic grey A RAL 7042
-------	-------------------------

Interfaces

Axioline F local bus

Number of interfaces	2
Connection method	Bus base module
Transmission speed	100 Mbps

System properties

Module

Input address area	8 Byte
Output address area	8 Byte
Required parameter data	12 Byte
Required configuration data	6 Byte

Input data

Analog

Input name	Analog inputs
Description of the input	Inputs for resistive temperature sensors
Number of inputs	4 (for resistance temperature detectors)
Connection method	Push-in connection
Connection technology	2-, 3-, 4-conductor (shielded)
A/D converter resolution	24 bit
Sensor types (RTD) that can be used	Pt, Ni, KTY, Cu sensors
Data formats	IB IL, S7-compatible
Measured value representation	16 bits (15 bits + sign bit)

Temperature module - AXL F RTD4 XC 1H



1035430

<https://www.phoenixcontact.com/de/produkte/1035430>

Input filter time	40 ms
	60 ms
	100 ms
	120 ms (adjustable)
Nominal value of the current sources	1 mA (Pt 100, Ni 100, R_{Lin} 500 Ω ; pulse current, the specification is valid during the sampling phase)
	210 μ A (Pt 1000, Ni 1000, R_{Lin} 5000 Ω ; pulse current, the specification is valid during the sampling phase)
Linear resistance measuring range	0 Ω ... 500 Ω
	0 k Ω ... 5 k Ω
Protective circuit	Short-circuit protection, overload protection of the inputs
	Transient protection of inputs
	Transient protection of sensor supplies

Product properties

Type	block modular
Product type	I/O component
Mounting position	any (no temperature derating)
Scope of delivery	including bus base module and Axioline F connectors

Insulation characteristics

Overvoltage category	II (IEC 60664-1, EN 60664-1)
Pollution degree	2 (IEC 60664-1, EN 60664-1)

Electrical properties

Potentials

Power consumption	max. 1.1 W (entire device)
-------------------	----------------------------

Potentials: Axioline F local bus supply (U_{Bus})

Supply voltage	5 V DC (via bus base module)
Current draw	max. 140 mA
Power consumption	max. 700 mW

Potentials: Supply for analog modules (U_A)

Supply voltage	24 V DC
Supply voltage range	19.2 V DC ... 30 V DC (including all tolerances, including ripple)
Current draw	max. 17 mA
Power consumption	max. 400 mW
Protective circuit	Surge protection; electronic (35 V, 0.5 s)
	Reverse polarity protection; Polarity protection diode
	Transient protection; Suppressor diode

Connection data

Connection technology

Connection name	Axioline F connector
-----------------	----------------------

Temperature module - AXL F RTD4 XC 1H



1035430

<https://www.phoenixcontact.com/de/produkte/1035430>

Note on the connection method	Please observe the information provided on conductor cross sections in the "AxioLine F: system and installation" user manual.
-------------------------------	---

Conductor connection

Connection method	Push-in connection
Conductor cross section solid	0.2 mm ² ... 1.5 mm ²
Conductor cross section flexible	0.2 mm ² ... 1.5 mm ²
Conductor cross section AWG	24 ... 16
Stripping length	8 mm

AxioLine F connector

Connection method	Push-in connection
Note on the connection method	Please observe the information provided on conductor cross sections in the "AxioLine F: system and installation" user manual.
Conductor cross section, rigid	0.2 mm ² ... 1.5 mm ²
Conductor cross section, flexible	0.2 mm ² ... 1.5 mm ²
Conductor cross section AWG	24 ... 16
Stripping length	8 mm

Environmental and real-life conditions

Ambient conditions

Ambient temperature (operation)	-25 °C ... 60 °C (Standard, applications with UL approval, use in zone 2 potentially explosive area) -40 °C ... 70 °C (Extended, see section "Tested successfully: use under extreme ambient conditions" in the data sheet.)
Degree of protection	IP20
Air pressure (operation)	70 kPa ... 106 kPa (up to 3000 m above sea level)
Air pressure (storage/transport)	70 kPa ... 106 kPa (up to 3000 m above sea level)
Ambient temperature (storage/transport)	-40 °C ... 85 °C
Permissible humidity (operation)	5 % ... 95 % (non-condensing)
Permissible humidity (storage/transport)	5 % ... 95 % (non-condensing)

Standards and regulations

Protection class	III (IEC 61140, EN 61140, VDE 0140-1)
------------------	---------------------------------------

Approval data

ATEX

Identification	<input type="checkbox"/> II 3 G Ex ec IIC T4 Gc
Certificate	UL 20 ATEX 2441X

UKEX

Identification	<input type="checkbox"/> II 3 G Ex ec IIC T4 Gc
Certificate	PxCIMA22UKEX2701949X

IECEX

Identification	Ex ec IIC T4 Gc
----------------	-----------------

Temperature module - AXL F RTD4 XC 1H



1035430

<https://www.phoenixcontact.com/de/produkte/1035430>

Certificate	IECEX ULD 20.0026X
-------------	--------------------

UL, USA / Canada

Identification	cULus
Certificate	E238705

UL Ex, USA / Canada

Identification	Class I, Zone 2, AEx ec IIC T4
	Class I, Division 2, Groups A, B, C, D, T4
	Ex ec IIC T4 Gc X
Certificate	E366272

CCC / China-Ex

Identification	Ex ec IIC T4 Gc
Certificate	□, 2021122309114456

Mounting

Mounting type	DIN rail mounting
Mounting position	any (no temperature derating)

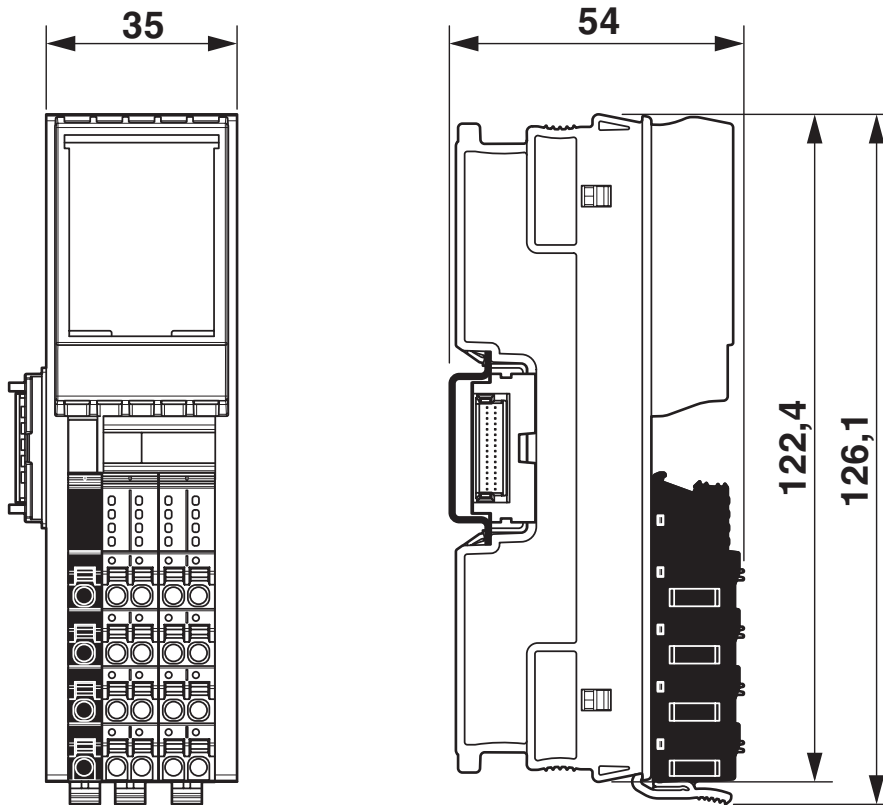
Temperature module - AXL F RTD4 XC 1H

1035430

<https://www.phoenixcontact.com/de/produkte/1035430>

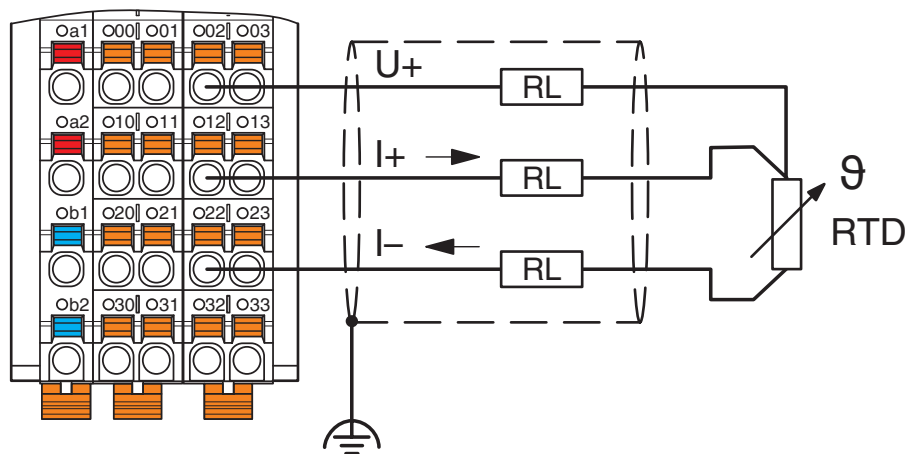
Drawings

Dimensional drawing



Dimensional drawing

Connection diagram



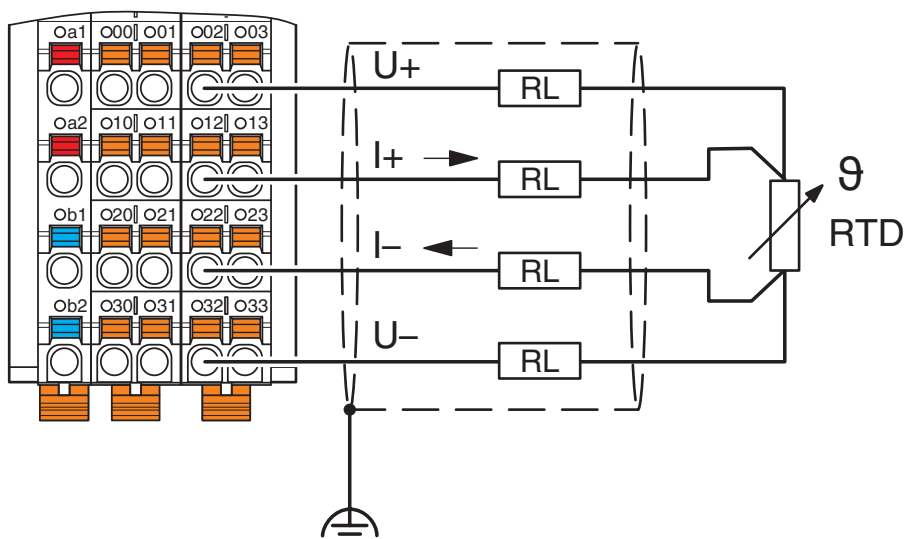
Connection example: 3-conductor connection

Temperature module - AXL F RTD4 XC 1H

1035430

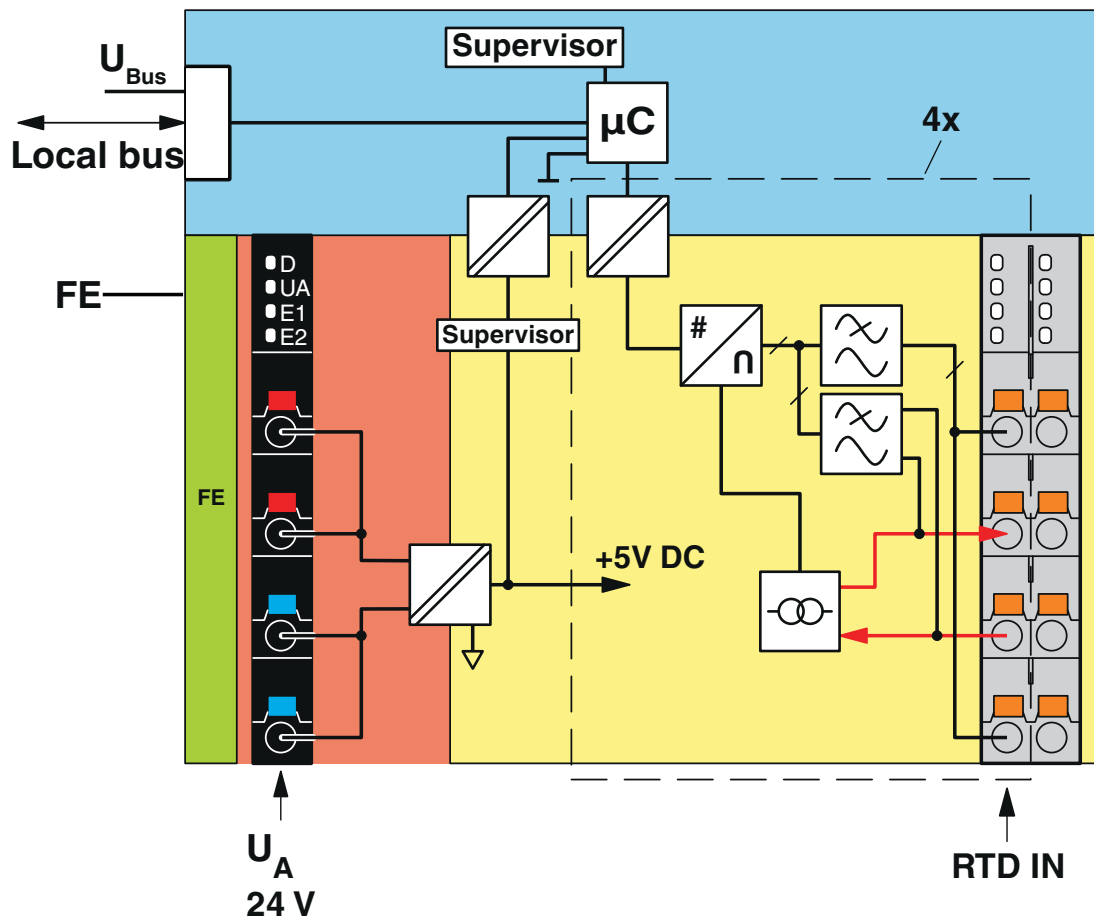
<https://www.phoenixcontact.com/de/produkte/1035430>

Connection diagram



Connection example: 4-conductor connection

Block diagram



Internal wiring of the terminal points

Temperature module - AXL F RTD4 XC 1H



1035430

<https://www.phoenixcontact.com/de/produkte/1035430>

Approvals

BSH

Approval ID: 840



IECEx

Approval ID: IECEx ULD 20.0026X



ATEX

Approval ID: UL 20 ATEX 2441X



cULus Listed

Approval ID: FILE E 366272

Temperature module - AXL F RTD4 XC 1H



1035430

<https://www.phoenixcontact.com/de/produkte/1035430>

Classifications

ECLASS

ECLASS-9.0	27242601
ECLASS-10.0.1	27242601
ECLASS-11.0	27242601
ECLASS-12.0	27242601

ETIM

ETIM 8.0	EC001596
----------	----------

UNSPSC

UNSPSC 21.0	32151600
-------------	----------

Temperature module - AXL F RTD4 XC 1H



1035430

<https://www.phoenixcontact.com/de/produkte/1035430>

Environmental Product Compliance

REACH SVHC	Lead 7439-92-1
China RoHS	Environmentally Friendly Use Period = 50 years
	For information on hazardous substances, refer to the manufacturer's declaration available under "Downloads"

Phoenix Contact 2023 © - all rights reserved

<https://www.phoenixcontact.com>

PHOENIX CONTACT Deutschland GmbH

Flachsmarktstraße 8

D-32825 Blomberg

+49 52 35/3-1 20 00

info@phoenixcontact.de