

Device connector, rear mounting - SACC-DSI-FSD-4CON-M16-L180 PP



1027696

<https://www.phoenixcontact.com/au/products/1027696>

Please be informed that the data shown in this PDF document is generated from our Online Catalog. Please find the complete data in the user documentation. Our General Terms of Use for Downloads are valid.



Sensor/actuator panel-mount connector, 4-pos., M12 push-pull, D-coded, rear/screw mounting with M16 thread, with straight solder connection

Your advantages

- Established M12 standard for secure transmission of signals, data, and power
- Easy and quick cabling of devices and systems in hard-to-reach areas
- Manufacturer-independent M12 push-pull locking system for maximum availability
- Reliable shield connection even under extreme mechanical strain
- Compatible with connectors with screw or push-in connection

Device connector, rear mounting - SACC-DSI-FSD-4CON-M16-L180 PP



1027696

<https://www.phoenixcontact.com/au/products/1027696>

Commercial Data

Item number	1027696
Packing unit	12 pc
Minimum order quantity	12 pc
Note	Made to Order (non-returnable)
Sales Key	ABQCAB
Product Key	ABQCAB
GTIN	4055626534015
Weight per Piece (including packing)	25.751 g
Weight per Piece (excluding packing)	24.875 g
Customs tariff number	85366990
Country of origin	DE

Device connector, rear mounting - SACC-DSI-FSD-4CON-M16-L180 PP



1027696

<https://www.phoenixcontact.com/au/products/1027696>

Technical Data

Notes

Notes on operation	The electrical and mechanical data specified assume that the connector pair is correctly locked and mounted. If the connector is unlocked and if there is a danger of contamination, the connector must be sealed using a protective cap > IP54. Influences arising from litz wires, cables or PCB assembly must also be taken into consideration.
--------------------	--

Product properties

Product type	Circular connectors (device side)
Number of positions	4
Shielded	yes
Coding	D-coded

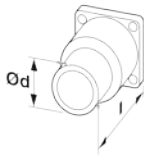
Insulation characteristics

Overvoltage category	II
Degree of pollution	3

Ambient conditions

Degree of protection	IP67
Degree of protection	IP65/IP67
Ambient temperature (operation)	-25 °C ... 85 °C (Plug / socket)
	-40 °C ... 85 °C (without mechanical actuation)

Dimensions

Dimensional drawing	
Length of the solder pin	6 mm
	6 mm

Connector

Insertion/withdrawal cycles	> 100
-----------------------------	-------

Header 1

Head design	Socket
Head cable outlet	straight
Head thread type	M12
Head locking type	Push-Pull
Coding	D-coded

Device connector, rear mounting - SACC-DSI-FSD-4CON-M16-L180 PP



1027696

<https://www.phoenixcontact.com/au/products/1027696>

Electrical properties

Rated surge voltage	1.5 kV
Nominal voltage U_N	250 V
Nominal current I_N	4 A

Material specifications

Material	Brass, nickel-plated
Material	PU 2K (Grout material)
Flammability rating according to UL 94	V0
Sealing material	NBR/FKM
Material of grip body	Nickel-plated brass
Contact material	CuZn
Contact surface material	Au
Contact carrier material	PA 6.6
Cable gland material	Nickel-plated brass

Connection data

Conductor connection

Connection method	Wave soldering contacts
-------------------	-------------------------

Mounting

Mounting type	Rear mounting M16 x 1.5 With flat nut
Assembly instructions	With flat nut

Standards and regulations

M12

Standards/specifications	IEC 61076-2-010
--------------------------	-----------------

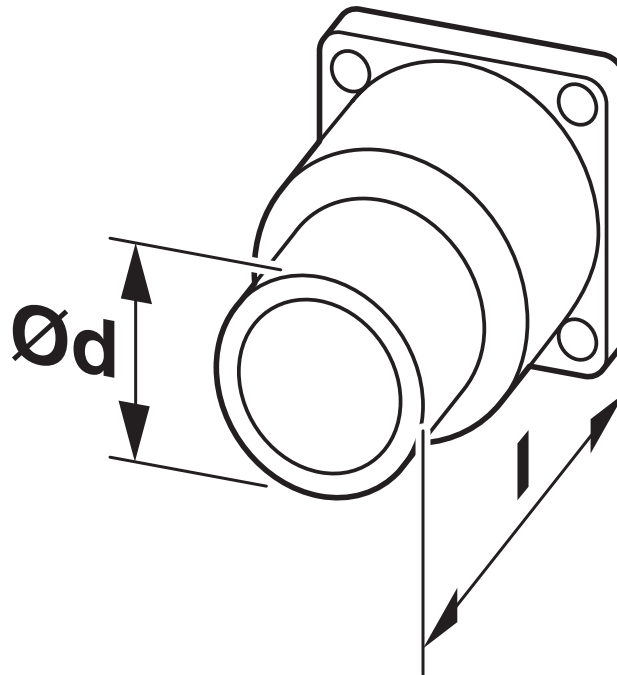
Device connector, rear mounting - SACC-DSI-FSD-4CON-M16-L180 PP

1027696

<https://www.phoenixcontact.com/au/products/1027696>

Drawings

Dimensional drawing



Technical drawings can be found under Downloads

Device connector, rear mounting - SACC-DSI-FSD-4CON-M16-L180 PP



1027696

<https://www.phoenixcontact.com/au/products/1027696>

Approvals



EAC

Approval ID: B.01687



cULus Recognized

Approval ID: E221474-20140616

	Nominal Voltage U_N	Nominal Current I_N	Cross Section AWG	Cross Section mm^2
	250 V	4 A	22 - 20	-

Device connector, rear mounting - SACC-DSI-FSD-4CON-M16-L180 PP



1027696

<https://www.phoenixcontact.com/au/products/1027696>

Classifications

ECLASS

ECLASS-9.0	27440103
ECLASS-10.0.1	27440109
ECLASS-11.0	27440109

ETIM

ETIM 8.0	EC003569
----------	----------

UNSPSC

UNSPSC 21.0	39121400
-------------	----------

Device connector, rear mounting - SACC-DSI-FSD-4CON-M16-L180 PP



1027696

<https://www.phoenixcontact.com/au/products/1027696>

Environmental Product Compliance

REACH SVHC	Lead 7439-92-1
China RoHS	Environmentally Friendly Use Period = 50 years
	For information on hazardous substances, refer to the manufacturer's declaration available under "Downloads"

Device connector, rear mounting - SACC-DSI-FSD-4CON-M16-L180 PP



1027696

<https://www.phoenixcontact.com/au/products/1027696>

Accessories

Screw plug

Screw plug - PROT-M12 - 1680539

<https://www.phoenixcontact.com/au/products/1680539>



An M12 screw plug for the unoccupied M12 sockets of the sensor/actuator cable, boxes and flush-type connectors

Screw plug

Screw plug - PROT-M12 SH - 1503302

<https://www.phoenixcontact.com/au/products/1503302>



An M12 screw plug for the unoccupied M12 sockets of the shielded sensor/actuator cable, boxes and flush-type connectors

Device connector, rear mounting - SACC-DSI-FSD-4CON-M16-L180 PP



1027696

<https://www.phoenixcontact.com/au/products/1027696>

Screw plug

Screw plug - PROT-M12 FB - 1555538

<https://www.phoenixcontact.com/au/products/1555538>



M12 high-grade steel screw plug, for unoccupied M12 sockets of the sensor/actuator cables, boxes and flush-type connectors for the food industry

Phoenix Contact 2022 © - all rights reserved
<https://www.phoenixcontact.com>

PHOENIX CONTACT PTY Ltd
Unit 7, 2-8 South Street
Rydalmere NSW 2116
1300 786 411
customerservice@phoenixcontact.com.au