

KLIPPON STB 3 MS HT

Weidmüller Interface GmbH & Co. KG
 Klingenbergstraße 26
 D-32758 Detmold
 Germany

www.weidmueller.com

Similar to illustration



Ideally suited for the energy, process and transportation industries, the Klippon[®] STB enclosure series is the perfect complement to our existing Klippon[®] enclosure portfolio. Enclosures in this series are approved according to international standards such as e.g. the Lloyds Register and EN62208.

- Sheet steel 1.0330, powder-coated in RAL 7032
- Comes with a standard seal that is resistant to high temperatures - extended temperature range of -60°C to +120°C
- Approved according to Lloyds Register
- Flexible options for fastening the internal mounting rail
- IP66 protection
- Secure, permanent function of the seal is ensured by seal compression protection
- Earthing stud in the cover and base of the enclosure
- Laser cut weld seams for increased quality
- Already welded-on mounting feet guarantee optimum enclosure installation

General ordering data

Version	Klippon STB (Small Terminal Box), Empty enclosure, Sheet steel enclosure, Height: 190 mm, Width: 190 mm, Depth: 100 mm, Material: Sheet steel, Powder-coated, Pebble grey
Order No.	1025020000
Type	KLIPPON STB 3 MS HT
GTIN (EAN)	4032248745234
Qty.	1 pc(s).

KLIPPON STB 3 MS HT

Weidmüller Interface GmbH & Co. KG

Klingenbergstraße 26

D-32758 Detmold

Germany

www.weidmueller.com

Technical data

Dimensions and weights

Depth	100 mm	Depth (inches)	3.937 inch
Height	190 mm	Height (inches)	7.48 inch
Width	190 mm	Width (inches)	7.48 inch
Mounting dimension - width	215 mm	Net weight	2,173.9 g

Temperatures

Operating temperature	-60 °C...120 °C
-----------------------	-----------------

Cable glands, left

M12	21	M16	15
M20	10	M25	8
M32	3	M40	3
M50	2	M63	1

Cable glands, right

M12	21	M16	15
M20	8	M25	6
M32	3	M40	2
M50	1		

Cable glands, top/bottom

M12	21	M16	15
M20	10	M25	8
M32	3	M40	3
M50	2	M63	1

Certificate numbers enclosure

Approval conditions	LR	Declaration of Conformity No. (DoC LVD)	DE PS2620 160412 002ISS01
---------------------	----	---	---------------------------

General information

Access opening: height	170 mm	Access opening: width	172 mm
Areas of use	Transportation, Marine engineering, Process industry, Packaging industry	Enclosure attachment	Welded-on mounting foot with 8-mm holes
Flange plate	No	Impact resistance	10 J version standard
Integral fixing	TAS 20 rail welded to floor	Lid	Yes
Lid attachment	M5 hexagonal screw with slot and 10mm distance across flats	Material	Sheet steel
Material thickness of cover	1.5 mm	Material thickness of enclosure	1.5 mm
Max. payload	25.3 kg	Number of lid screws	4
Operating temperature, max.	120 °C	Operating temperature, min.	-60 °C
Protection class (UL)	Type 4, Type 4X	Protection degree	IP66
Seal material	Silicone	Standards	DIN 4102-12
Surface finish	Powder-coated		

Creation date March 12, 2024 5:21:44 PM CET

Catalogue status 09.03.2024 / We reserve the right to make technical changes.

KLIPPON STB 3 MS HT

Weidmüller Interface GmbH & Co. KG
 Klingenbergstraße 26
 D-32758 Detmold
 Germany

www.weidmueller.com

Technical data

Housing earth

Cross-section , max.	25 mm ²	Earth, enclosure, cover	Welded-on M6 x 10 stainless-steel earth stud
Earth, enclosure, external	Welded-on M6 x 16 stainless-steel bolts	Earth, enclosure, internal	Welded-on M6 x 16 stainless-steel bolts

vertical assembly

WDU 10 / ZDU 10	1x15	WDU 16 / ZDU 16	1x13
WDU 2,5 / ZDU 2,5 / IDU 2,5	1x30	WDU 4 / ZDU 4	1x25
WDU 6 / ZDU 6	1x20		

Classifications

ETIM 6.0	EC000261	ETIM 7.0	EC000261
ETIM 8.0	EC000261	ETIM 9.0	EC000261
ECLASS 9.0	27-18-01-01	ECLASS 9.1	27-18-92-90
ECLASS 10.0	27-18-01-01	ECLASS 11.0	27-18-01-01
ECLASS 12.0	27-18-01-01	ECLASS 13.0	27-18-01-01

Important note

Product information	The fire rating up to E90 acc. to DIN 4102-12 depends on concrete configurations / installations (details see "Declaration of Manufacturer" in "Downloads")
---------------------	---

Approvals

Approvals



ROHS	Conform
------	---------

Downloads

Approval/Certificate/Document of Conformity	08_20032 MPA NRW Certificate - fire rated assembled boxes acc. to DIN 4102-12 EU Declaration of Conformity - Klippon STB Empty Enclosures IND - DoC DE PS2620 160412 002ISS02
Engineering Data	CAD data – STEP
Tender specification	Klippon STB 3 MS HT_1025020000_DE Klippon STB 3 MS HT_1025020000_EN
User Documentation	Assembly guidelines - empty enclosures
Catalogues	Catalogues in PDF-format
Brochures	MB KLIPPON ENCL.TECN EN FL KLIPPON STB EN FL SHIPBUILDING 2016 EN FL SHIPBUILDING 2016 EN

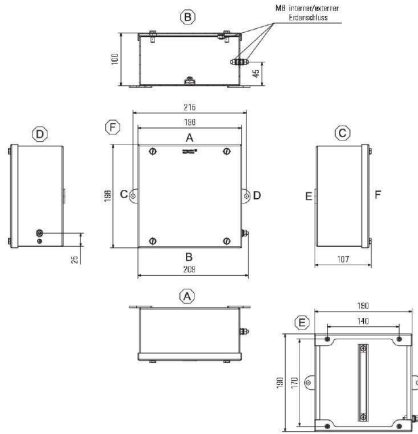
KLIPPON STB 3 MS HT

Weidmüller Interface GmbH & Co. KG
 Klingenbergstraße 26
 D-32758 Detmold
 Germany

www.weidmueller.com

Drawings

Dimensioned drawing



KLIPPON STB 3 MS HT

Weidmüller Interface GmbH & Co. KG
Klingenbergstraße 26
D-32758 Detmold
Germany

www.weidmueller.com

Accessories

Terminal rails - TS35



The system accessories for the Klippon® STB enclosure series allows you to easily adapt the enclosures to meet the specific requirements of every application.

- DIN Rails TS 35
- Mounting screws

Weidmüller can manufacture and supply this enclosure - according to customer specifications - fitted with all necessary terminals and cable glands.

General ordering data

Type	TS35X7.5 ST STB 2.1 STB ...	Version
Order No.	1567660000	Rail, TS 35, TS 35 x 7.5, Width: 150 mm, without slot, Steel, galvanic zinc plated and passivated
GTIN (EAN)	4008190084868	
Qty.	100 pc(s).	
Type	TS35X15 ST STB 2.1 STB 3	Version
Order No.	8000073219	Rail, TS 35, TS 35 x 15, Width: 150 mm, with slot, Steel, galvanic zinc plated and passivated
GTIN (EAN)	4064675356776	
Qty.	20 pc(s).	
Type	SFNS5 VKMU M5 SW15	Version
Order No.	0433500000	Klippon STB (Small Terminal Box), Fixing nut, Square, Height: 15 mm, Width: 15 mm, Depth: 11.7 mm, Material: Steel, galvanised, galvanized, silver
GTIN (EAN)	4008190494520	
Qty.	20 pc(s).	

Ventilation plugs - DAE



In addition to cable glands for a wide range of applications, the product portfolio is rounded off by plugs, pressure compensation elements, adaptors and the corresponding accessories such as locknuts, sealing rings, flat washers and earthing rings.

General ordering data

Type	DAE M12 PA LONG	Version
Order No.	1868570000	DAE (ventilation element), Compensating element, straight, M 12, 10 mm, IP66, IP68, IP69K, Polyamide 6
GTIN (EAN)	4032248440429	
Qty.	10 pc(s).	
Type	DAE M12 SS	Version
Order No.	1868550000	DAE (ventilation element), Compensating element, straight, M 12, 10 mm, IP66, IP68, IP69K, Stainless steel 1.4305 (303)
GTIN (EAN)	4032248440405	
Qty.	10 pc(s).	

KLIPPON STB 3 MS HT

Weidmüller Interface GmbH & Co. KG
Klingenbergstraße 26
D-32758 Detmold
Germany

www.weidmueller.com

Accessories**Grounding strap**

The fully structured range of system accessories for the new Klippon® TB enclosure series allows you to easily adapt the enclosures to meet the specific requirements of every application. The following options are available:

- Closure Elements
- Document holders
- Earthing stud
- Gland plates
- Installation material
- Mounting plates
- Rain hoods
- Spacer
- Terminal rails
- Type label holder

General ordering data

Type	PECD WIRE 6/200/D6 SET	Version
Order No.	2475490000	Klippon TB (Terminal Box), Grounding strap, Sscrewed, Material: Steel,
GTIN (EAN)	4050118487206	Green/yellow
Qty.	1 pc(s).	