

Data connector - SACC-PO12MSD-4CT-CM SH PN



1021830

<https://www.phoenixcontact.com/pc/products/1021830>

Please be informed that the data shown in this PDF document is generated from our Online Catalog. Please find the complete data in the user documentation. Our General Terms of Use for Downloads are valid.



Data connector, PROFINET CAT5 (100 Mbps), 4-position, shielded, Plug straight M12 Push-Pull, Coding: D, Crimp connection, knurl material: PA 6.6, external cable diameter 4.5 mm ... 7.5 mm, without crimp contacts

Your advantages

- Plug and Produce: convenient and secure connection, thanks to the manufacturer-independent locking system
- Extremely compact, thanks to the small wiring space and high contact density
- Clear feedback: the connector springs back when not snapped into place correctly
- Safely shielded: reliable shield connection even under extreme mechanical strain
- Robust connection: suitable for railway applications with high shock and vibration loads

Data connector - SACC-PO12MSD-4CT-CM SH PN



1021830

<https://www.phoenixcontact.com/pc/products/1021830>

Commercial Data

Item number	1021830
Packing unit	1 pc
Minimum order quantity	1 pc
Product Key	BF2CJN
Catalog Page	Page 27 (C-2-2019)
GTIN	4055626514697
Weight per Piece (including packing)	29.7 g
Weight per Piece (excluding packing)	29.5 g
Customs tariff number	85366990
Country of origin	DE

1021830

<https://www.phoenixcontact.com/pc/products/1021830>

Technical Data

Notes

General	This product corresponds to the PROFINET Cabling and Interconnection Technology Guideline for PROFINET regulations, version 2.00, order no: 2.252, Chapter 8.2 Connectors for Outside Environment (Balanced cabling)
Assembly instruction:	NOTE: Observe the permissible bending radii when laying conductors, since the degree of protection may be put in jeopardy if the bending forces are too high. Alleviate mechanical loads upstream of the connector, e.g. by using cable ties.

Product properties

Product type	Circular connector (cable-side)
Number of positions	4
No. of cable outlets	1
Shielded	yes
Coding	D - data
Cable outlet	straight

Insulation characteristics

Overvoltage category	II
Degree of pollution	3

Ambient conditions

Degree of protection	IP65
	IP67
	IP68
	IP69K
Ambient temperature (operation)	-40 °C ... 85 °C (Plug / socket)

Dimensions

Dimensional drawing	
Length	44 mm
External dimensions	
Outside diameter	4.5 mm ... 7.5 mm
Housing	
Diameter housing	22 mm

Connector

Insertion/withdrawal cycles	≥ 100
-----------------------------	-------

Data connector - SACC-PO12MSD-4CT-CM SH PN



1021830

<https://www.phoenixcontact.com/pc/products/1021830>

Header 1

Head design	Plug
Head cable outlet	straight
Head thread type	M12
Head locking type	Push-Pull
Coding	D-coded

Electrical properties

Rated surge voltage	2.5 kV
Insulation resistance	≥ 100 MΩ
Nominal voltage U _N	48 V AC 60 V DC
Nominal current I _N	4 A

Material specifications

Flammability rating according to UL 94	V0
Sealing material	NBR
Material of grip body	Zinc die-cast, nickel-plated
Contact carrier material	PA 6.6
Cable gland material	PA 6.6
Standards/regulations	PA 6.6: Fire protection in rail vehicles - requirement sets R22, R23, R24, and R26 acc. to DIN EN 45545-2 (Risk level HL1 - HL3)

Connection data

Conductor connection

Connection method	Crimp connection
Connection cross section	0.14 mm ² ... 1 mm ² (flexible)
Connection cross section AWG	26 ... 18 (flexible)
Tightening torque	4 Nm (Pressure nut with coupling sleeve)

Mounting

Assembly instructions	Contacts can be clipped in place and unclipped without tools
-----------------------	--

Standards and regulations

Testing

Standards/regulations	PA 6.6: Fire protection in rail vehicles - requirement sets R22, R23, R24, and R26 acc. to DIN EN 45545-2 (Risk level HL1 - HL3)
Standards/specifications	IEC 61076-2-109, IEC 61076-2-010
Standards/specifications	EN 50155:2001

Cable / line

Cable structure

Data connector - SACC-PO12MSD-4CT-CM SH PN



1021830

<https://www.phoenixcontact.com/pc/products/1021830>

Signal type/category	PROFINET CAT5 (IEC 11801), 100 Mbps
Stripping length of the individual wire	4 mm +0,5 mm

Data connector - SACC-PO12MSD-4CT-CM SH PN

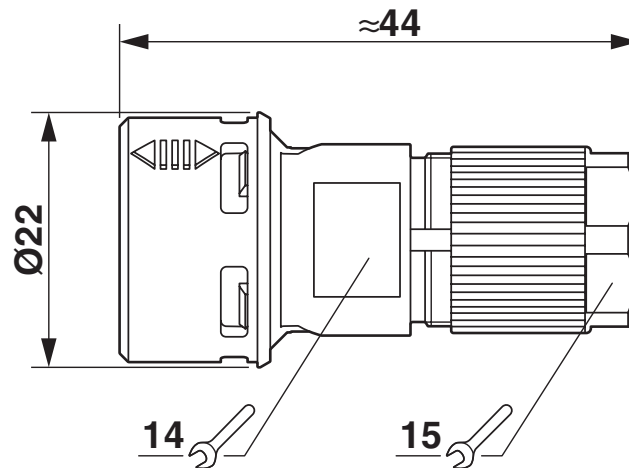


1021830

<https://www.phoenixcontact.com/pc/products/1021830>

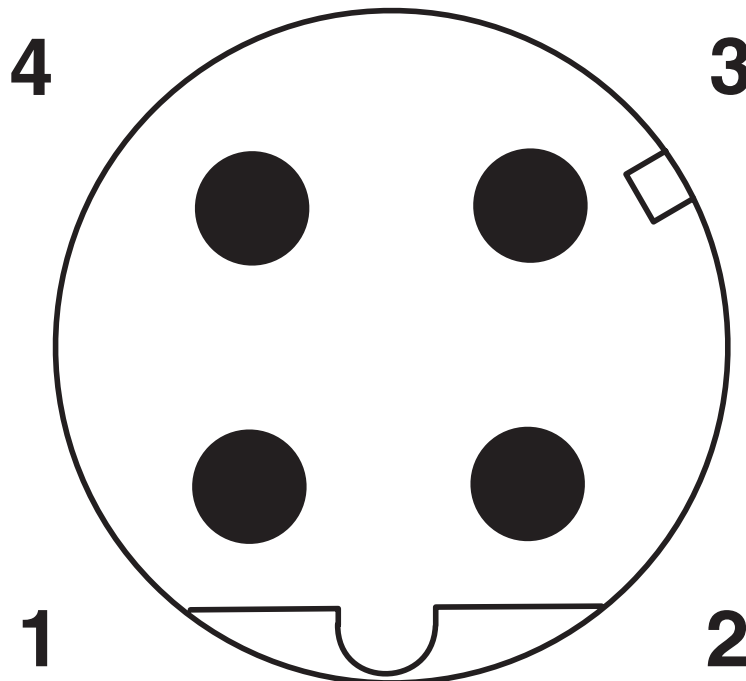
Drawings

Dimensional drawing



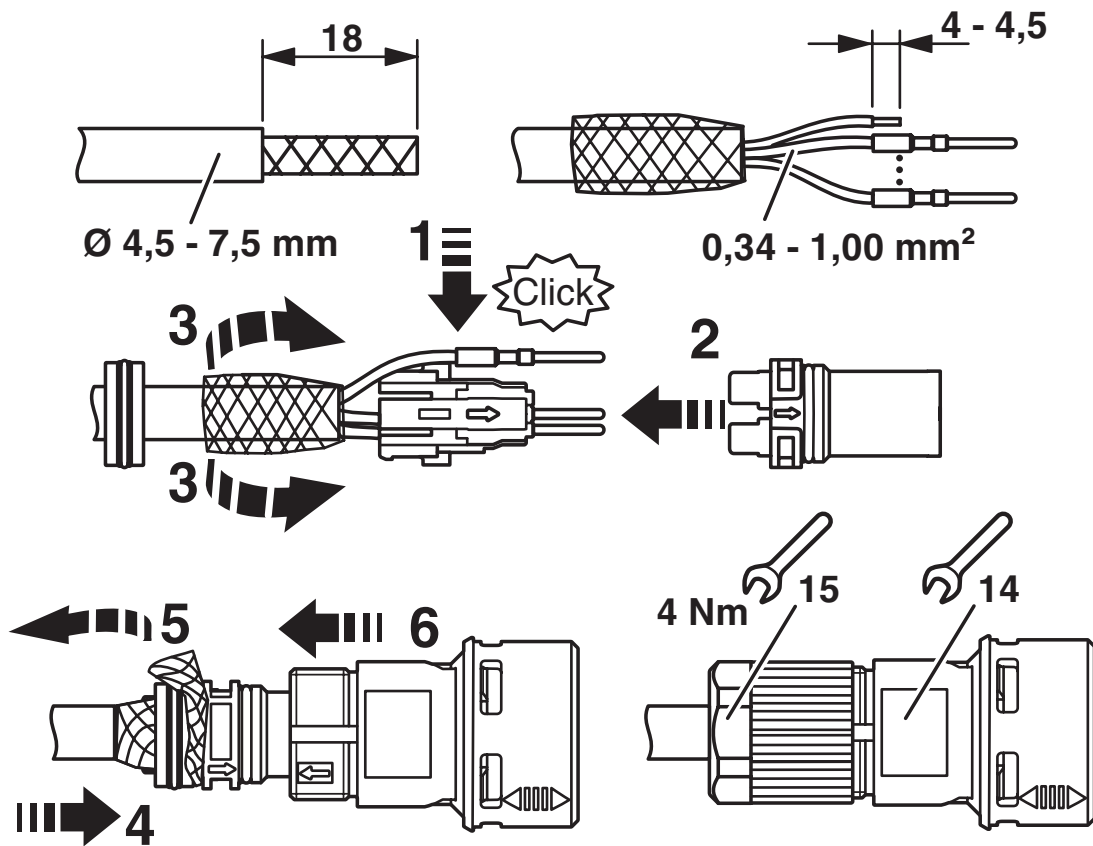
M12 push-pull plug, straight, shielded

Schematic diagram



M12 PUSH-PULL male pin assignment, 4-pos., pin-side view

Functional drawing



Data connector - SACC-PO12MSD-4CT-CM SH PN



1021830

<https://www.phoenixcontact.com/pc/products/1021830>

Classifications

ECLASS

ECLASS-9.0	27440102
ECLASS-10.0.1	27440102
ECLASS-11.0	27440102

ETIM

ETIM 8.0	EC002635
----------	----------

UNSPSC

UNSPSC 21.0	39121400
-------------	----------

Data connector - SACC-PO12MSD-4CT-CM SH PN



1021830

<https://www.phoenixcontact.com/pc/products/1021830>

Environmental Product Compliance

China RoHS	Environmentally friendly use period: unlimited = EFUP-e
	No hazardous substances above threshold values

Data connector - SACC-PO12MSD-4CT-CM SH PN



1021830

<https://www.phoenixcontact.com/pc/products/1021830>

Mandatory Accessories

Crimp contact

Crimp contact - CC1,0-TS-0,34M AU - 1064040

<https://www.phoenixcontact.com/pc/products/1064040>



Crimp contact, contact diameter: 1 mm, turned, Pin, contact material: CuZn, contact surface: Ni/Au, connection cross section: 0.14 mm² ... 0.34 mm², AWG 26 ... 22

Crimp contact

Crimp contact - CC1,0-TS-1,00M AU - 1423645

<https://www.phoenixcontact.com/pc/products/1423645>



Crimp contact, contact diameter: 1 mm, turned, Pin, contact material: CuZn, contact surface: Ni/Au, connection cross section: 0.34 mm² ... 1 mm², AWG 22 ... 18

Accessories

Data connector - SACC-PO12MSD-4CT-CM SH PN



1021830

<https://www.phoenixcontact.com/pc/products/1021830>

Crimping pliers with digital display

Crimping pliers with digital display - CRIMPFOX-TC MP - 1212510

<https://www.phoenixcontact.com/pc/products/1212510>



Crimping pliers, for turned contacts, universal cross section setting, up to a maximum of 2.5 mm², digital display with 0.01 mm increments, pressure lock can be unlocked, including positioning tool

Crimp contact

Crimp contact - CC1,0-TS-0,34M AU - 1064040

<https://www.phoenixcontact.com/pc/products/1064040>



Crimp contact, contact diameter: 1 mm, turned, Pin, contact material: CuZn, contact surface: Ni/Au, connection cross section: 0.14 mm² ... 0.34 mm², AWG 26 ... 22

Data connector - SACC-PO12MSD-4CT-CM SH PN



1021830

<https://www.phoenixcontact.com/pc/products/1021830>

Crimp contact

Crimp contact - CC1,0-TS-1,00M AU - 1423645

<https://www.phoenixcontact.com/pc/products/1423645>



Crimp contact, contact diameter: 1 mm, turned, Pin, contact material: CuZn, contact surface: Ni/Au, connection cross section: 0.34 mm² ... 1 mm², AWG 22 ... 18

Diagonal cutter

Diagonal cutter - MICROFOX-SB - 1212489

<https://www.phoenixcontact.com/pc/products/1212489>



Electronic diagonal cutter, round head, without chamfer, with opening spring, mirror-polished and oiled, 2-component grip, cutting capacity: soft 0.2 - 2.0 mm; medium hard 1.2 mm; hard 0.5 mm diameter

1021830

<https://www.phoenixcontact.com/pc/products/1021830>

Stripping tool

Stripping tool - WIREFOX-D 13 - 1212162

<https://www.phoenixcontact.com/pc/products/1212162>



Stripping tool, for stripping installation lines of \varnothing 8 - 13 mm , e.g. NYM 3 x 1.5 mm² to 5 x 2.5 mm², single line stripping 0.2 mm² - 4 mm² , with longitudinal cut blade and sliding knife

Stripping tool

Stripping tool - WIREFOX SAC - 1212623

<https://www.phoenixcontact.com/pc/products/1212623>



Stripping pliers, for halogen-free sensor/actuator cables (SAC cables), with PUR and PVC insulation, from \varnothing of 4.4 to 7 mm, any stripping length

Data connector - SACC-PO12MSD-4CT-CM SH PN



1021830

<https://www.phoenixcontact.com/pc/products/1021830>

Stripping tool

Stripping tool - VS-CABLE-STRIP-VARIO - 1657407

<https://www.phoenixcontact.com/pc/products/1657407>

Stripping tool, for the multi-level stripping of shielded cables



Network cable

Network cable - VS-OE-OE-93R/... - 1417388

<https://www.phoenixcontact.com/pc/products/1417388>



Network cable, PROFINET CAT5 (100 Mbps), 4-position halogen-free, shielded, free cable end, on free cable end, cable length: Free input (0.5 ... 100 m), for robots

Data connector - SACC-PO12MSD-4CT-CM SH PN



1021830

<https://www.phoenixcontact.com/pc/products/1021830>

Network cable

Network cable - VS-OE-OE-936/... - 1417375

<https://www.phoenixcontact.com/pc/products/1417375>



Network cable, PROFINET CAT5 (100 Mbps), 4-position halogen-free, shielded, free cable end, on free cable end, cable length: Free input (0.5 ... 100 m), For railway applications

Network cable

Network cable - VS-OE-OE-937/... - 1402687

<https://www.phoenixcontact.com/pc/products/1402687>



Network cable, PROFINET CAT5 (100 Mbps), 4-position halogen-free, shielded, free cable end, on free cable end, cable length: Free entry (0.5 ... 400 m), For railway applications

Phoenix Contact 2022 © - all rights reserved
<https://www.phoenixcontact.com>

PHOENIX CONTACT GmbH & Co. KG
Flachsmarktstraße 8
D-32825 Blomberg
+49 (0) 5235-3 00
info@phoenixcontact.com