

Data connector - SACC-PO12MSX-8CT-CL SH



1021783

<https://www.phoenixcontact.com/pc/products/1021783>

Please be informed that the data shown in this PDF document is generated from our Online Catalog. Please find the complete data in the user documentation. Our General Terms of Use for Downloads are valid.



Data connector, Ethernet CAT6_A (10 Gbps), PROFINET CAT6_A (10 Gbps), 8-position, shielded, Plug straight M12 Push-Pull, Coding: X, Crimp connection, knurl material: PA 6.6, external cable diameter 6.5 mm ... 10 mm, without crimp contacts

Your advantages

- Plug and Produce: convenient and secure connection, thanks to the manufacturer-independent locking system
- Extremely compact, thanks to the small wiring space and high contact density
- Clear feedback: the connector springs back when not snapped into place correctly
- Safely shielded: reliable shield connection even under extreme mechanical strain
- Robust connection: suitable for railway applications with high shock and vibration loads

Data connector - SACC-PO12MSX-8CT-CL SH



1021783

<https://www.phoenixcontact.com/pc/products/1021783>

Commercial Data

Item number	1021783
Packing unit	1 pc
Minimum order quantity	1 pc
Product Key	BF2CJJ
Catalog Page	Page 27 (C-2-2019)
GTIN	4055626514628
Weight per Piece (including packing)	33.8 g
Weight per Piece (excluding packing)	33 g
Customs tariff number	85366990
Country of origin	DE

Technical Data

Notes

General	This product corresponds to the PROFINET Cabling and Interconnection Technology Guideline for PROFINET regulations, version 2.00, order no: 2.252, Chapter 8.2 Connectors for Outside Environment (Balanced cabling)
Assembly instruction:	NOTE: Observe the permissible bending radii when laying conductors, since the degree of protection may be put in jeopardy if the bending forces are too high. Alleviate mechanical loads upstream of the connector, e.g. by using cable ties.

Product properties

Product type	Circular connector (cable-side)
Number of positions	8
No. of cable outlets	1
Shielded	yes
Coding	X - data
Cable outlet	straight

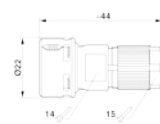
Insulation characteristics

Overvoltage category	II
Degree of pollution	3

Ambient conditions

Degree of protection	IP65
	IP67
	IP68
	IP69K
Ambient temperature (operation)	-40 °C ... 85 °C (Plug / socket)

Dimensions

Dimensional drawing	
Length	44 mm

External dimensions

Outside diameter	6.5 mm ... 10 mm
------------------	------------------

Housing

Diameter housing	22 mm
------------------	-------

Connector

Insertion/withdrawal cycles	≥ 100
-----------------------------	-------

Data connector - SACC-PO12MSX-8CT-CL SH



1021783

<https://www.phoenixcontact.com/pc/products/1021783>

Header 1

Head design	Plug
Head cable outlet	straight
Head thread type	M12
Head locking type	Push-Pull
Coding	X-coded

Electrical properties

Rated surge voltage	0.8 kV
Insulation resistance	≥ 100 MΩ
Nominal voltage U _N	48 V AC 60 V DC
Nominal current I _N	0.5 A

Material specifications

Flammability rating according to UL 94	V0
Sealing material	NBR
Material of grip body	Zinc die-cast, nickel-plated
Contact carrier material	PA 6.6
Cable gland material	PA 6.6
Standards/regulations	PA 6.6: Fire protection in rail vehicles - requirement sets R22, R23, R24, and R26 acc. to DIN EN 45545-2 (Risk level HL1 - HL3)

Connection data

Conductor connection

Connection method	Crimp connection
Connection cross section	0.14 mm ² ... 0.34 mm ² (flexible)
Connection cross section AWG	26 ... 22 (flexible)
Tightening torque	4 Nm (Pressure nut with coupling sleeve)

Mounting

Assembly instructions	Contacts can be clipped in place and unclipped without tools
-----------------------	--

Standards and regulations

Testing

Standards/regulations	PA 6.6: Fire protection in rail vehicles - requirement sets R22, R23, R24, and R26 acc. to DIN EN 45545-2 (Risk level HL1 - HL3)
-----------------------	--

M12

Standards/specifications	IEC 61076-2-109, IEC 61076-2-010
--------------------------	----------------------------------

M12

Standards/specifications	EN 50155:2001
--------------------------	---------------

Data connector - SACC-PO12MSX-8CT-CL SH



1021783

<https://www.phoenixcontact.com/pc/products/1021783>

Cable / line

Cable structure

Signal type/category	Ethernet CAT6 _A (IEC 11801), 10 Gbps
	PROFINET CAT6 _A (IEC 11801), 10 Gbps
Stripping length of the individual wire	4 mm +0,5 mm

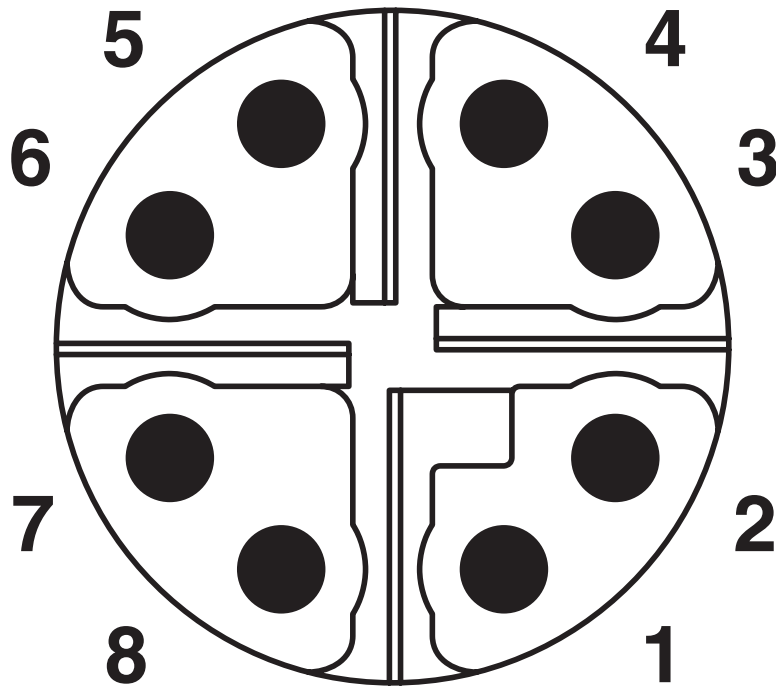
Data connector - SACC-PO12MSX-8CT-CL SH

1021783

<https://www.phoenixcontact.com/pc/products/1021783>

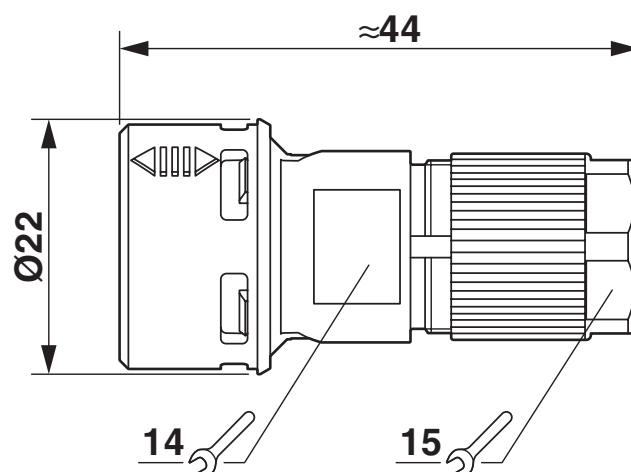
Drawings

Schematic diagram



M12 PUSH-PULL male pin assignment, 8-pos., pin-side view

Dimensional drawing



M12 push-pull plug, straight, shielded

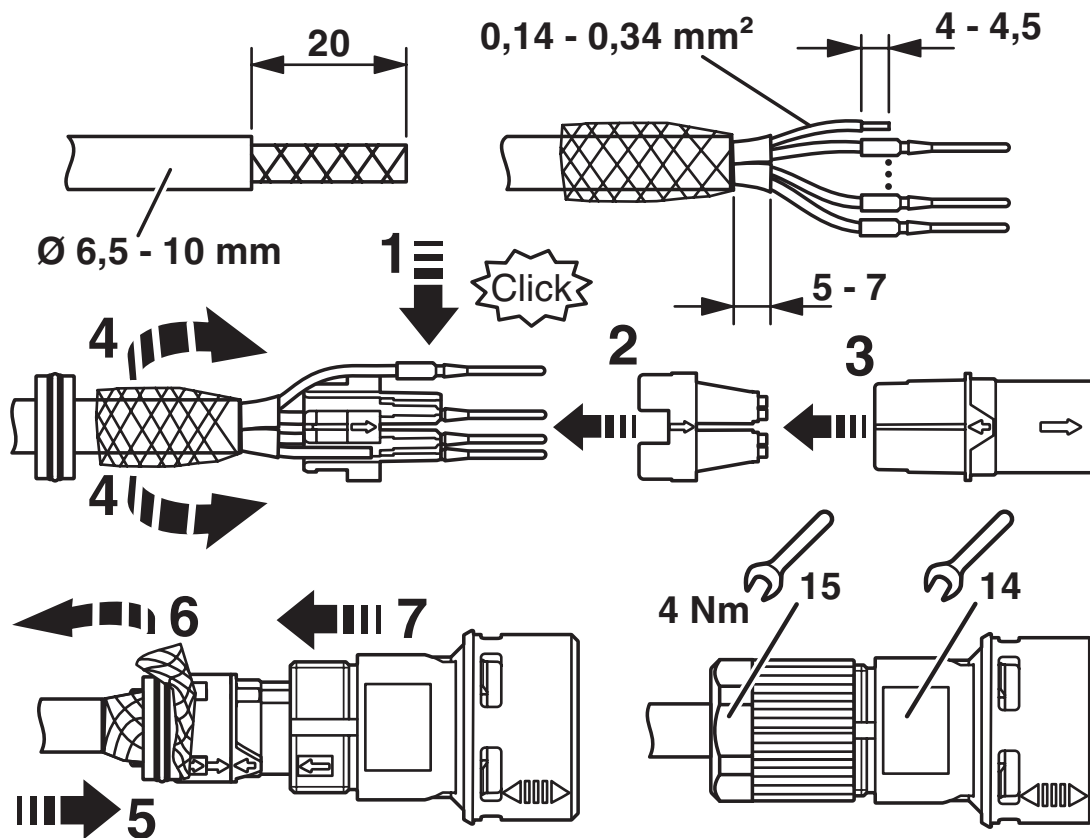
Data connector - SACC-PO12MSX-8CT-CL SH



1021783

<https://www.phoenixcontact.com/pc/products/1021783>

Functional drawing



Data connector - SACC-PO12MSX-8CT-CL SH



1021783

<https://www.phoenixcontact.com/pc/products/1021783>

Approvals



UL Listed

Approval ID: E335024-20120831



cUL Listed

Approval ID: E335024-20120831

cULus Listed

Data connector - SACC-PO12MSX-8CT-CL SH



1021783

<https://www.phoenixcontact.com/pc/products/1021783>

Classifications

ECLASS

ECLASS-9.0	27440102
ECLASS-10.0.1	27440102
ECLASS-11.0	27440102

ETIM

ETIM 8.0	EC002635
----------	----------

UNSPSC

UNSPSC 21.0	39121400
-------------	----------

Data connector - SACC-PO12MSX-8CT-CL SH



1021783

<https://www.phoenixcontact.com/pc/products/1021783>

Environmental Product Compliance

China RoHS	Environmentally friendly use period: unlimited = EFUP-e
	No hazardous substances above threshold values

Data connector - SACC-PO12MSX-8CT-CL SH



1021783

<https://www.phoenixcontact.com/pc/products/1021783>

Mandatory Accessories

Crimp contact

Crimp contact - CC0,6-TS-0,34M AU - 1423643

<https://www.phoenixcontact.com/pc/products/1423643>



Crimp contact, contact diameter: 0.6 mm, turned, Pin, contact material: CuZn, contact surface: Ni/Au, connection cross section: 0.14 mm² ... 0.34 mm², AWG 26 ... 22

Accessories

Crimping pliers with digital display

Crimping pliers with digital display - CRIMPFOX-TC MP - 1212510

<https://www.phoenixcontact.com/pc/products/1212510>



Crimping pliers, for turned contacts, universal cross section setting, up to a maximum of 2.5 mm², digital display with 0.01 mm increments, pressure lock can be unlocked, including positioning tool

Data connector - SACC-PO12MSX-8CT-CL SH



1021783

<https://www.phoenixcontact.com/pc/products/1021783>

Crimp contact

Crimp contact - CC0,6-TS-0,34M AU - 1423643

<https://www.phoenixcontact.com/pc/products/1423643>



Crimp contact, contact diameter: 0.6 mm, turned, Pin, contact material: CuZn, contact surface: Ni/Au, connection cross section: 0.14 mm² ... 0.34 mm², AWG 26 ... 22

Diagonal cutter

Diagonal cutter - MICROFOX-SB - 1212489

<https://www.phoenixcontact.com/pc/products/1212489>



Electronic diagonal cutter, round head, without chamfer, with opening spring, mirror-polished and oiled, 2-component grip, cutting capacity: soft 0.2 - 2.0 mm; medium hard 1.2 mm; hard 0.5 mm diameter

Data connector - SACC-PO12MSX-8CT-CL SH



1021783

<https://www.phoenixcontact.com/pc/products/1021783>

Stripping tool

Stripping tool - WIREFOX-D 13 - 1212162

<https://www.phoenixcontact.com/pc/products/1212162>



Stripping tool, for stripping installation lines of \varnothing 8 - 13 mm , e.g. NYM 3 x 1.5 mm² to 5 x 2.5 mm², single line stripping 0.2 mm² - 4 mm² , with longitudinal cut blade and sliding knife

Stripping tool

Stripping tool - WIREFOX SAC - 1212623

<https://www.phoenixcontact.com/pc/products/1212623>



Stripping pliers, for halogen-free sensor/actuator cables (SAC cables), with PUR and PVC insulation, from \varnothing of 4.4 to 7 mm, any stripping length

Data connector - SACC-PO12MSX-8CT-CL SH



1021783

<https://www.phoenixcontact.com/pc/products/1021783>

Network cable

Network cable - NBC-100,0-94S - 1423514

<https://www.phoenixcontact.com/pc/products/1423514>



By the meter, Network cable, Ethernet CAT7 (10 Gbps), shielded, PE-X halogen-free, black, 8-wire (4x2xAWG26/7; S/FTP), color single wire: White-blue, white-orange, white-green, white-brown, cable length: 100 m, For railway applications

Phoenix Contact 2022 © - all rights reserved

<https://www.phoenixcontact.com>

PHOENIX CONTACT GmbH & Co. KG

Flachsmarktstraße 8

D-32825 Blomberg

+49 (0) 5235-3 00

info@phoenixcontact.com