

Coupler connector - PRC 3-FC-FS6 8-21 HR



1017635

<https://www.phoenixcontact.com/pc/products/1017635>

Please be informed that the data shown in this PDF document is generated from our Online Catalog. Please find the complete data in the user documentation. Our General Terms of Use for Downloads are valid.



Installation connector, Range of articles: PRC 35, Coupler connector, type: Release with tool or by hand (see accessories), housing material: PPE, color: black, number of positions: 3, min. conductor cross section: 1.5 mm², max. conductor cross section: 6 mm², rated voltage: 690 V AC, rated current: 35 A, Connection method: Screw connection, Type of contact: Socket, min. cable diameter: 8 mm, max. cable diameter: 21 mm. Variant for manual release

Your advantages

- Up to 75% smaller in size than industrial connectors with the same rating
- Locking mechanism can be unlocked manually or using a tool
- Suitable for applications in atmospheres containing salt and in direct sunlight
- Ideal for indoor and outdoor use due to weatherproof materials

Coupler connector - PRC 3-FC-FS6 8-21 HR



1017635

<https://www.phoenixcontact.com/pc/products/1017635>

Commercial Data

Item number	1017635
Packing unit	1 pc
Minimum order quantity	1 pc
Product Key	ABLCBA
GTIN	4055626500775
Weight per Piece (including packing)	91.8 g
Weight per Piece (excluding packing)	91 g
Customs tariff number	85366990
Country of origin	PL

Technical Data

Notes

Order information:	Variant for manual release
Safety note	
Safety note	<ul style="list-style-type: none"> • WARNING: Commission properly functioning products only. The products must be regularly inspected for damage. Decommission defective products immediately. Replace damaged products. Repairs are not possible. • WARNING: Only electrically qualified personnel may install and operate the product. They must observe the following safety notes. The qualified personnel must be familiar with the basics of electrical engineering. They must be able to recognize and prevent danger. The relevant symbol on the packaging indicates that only personnel familiar with electrical engineering are allowed to install and operate the product. WARNING: The connectors may not be plugged in or disconnected under load. Ignoring the warning or improper use may damage persons and/or property. • Assembled products may not be manipulated or improperly opened. • Only use mating connectors that are specified in the technical data of the standards listed (e.g. the ones listed in the product accessories online at phoenixcontact.com/products). • When using the product in direct connection with third-party manufacturers, the user is responsible. • For operating voltages > 50 V AC, conductive connector housings must be grounded • Ensure that the protective or functional ground has been properly connected. • VDE 0100/1.97 § 411.1.3.2 and DIN EN 60 204/11.98 § 14.1.3 are applicable when combining several circuits in a cable and/or connector • Observe the corresponding technical data. You will find information: <ul style="list-style-type: none"> o On the product o On the packing label o In the supplied documentation o Online at phoenixcontact.com/products under the product • Only use tools recommended by Phoenix Contact • The installation notes/Design In documents online on the download page at phoenixcontact.com/products must be observed for this product. • Use a protective cap to protect connectors that are not in use. The suitable accessories are available online in the accessory section of the product at phoenixcontact.com/products • Operate the connector only when it is fully plugged in. • Operate the connector only when it is fully plugged in and interlocked. • Ensure that when laying the cable, the tensile load on the connectors does not exceed the upper limit specified in the standards.

Coupler connector - PRC 3-FC-FS6 8-21 HR



1017635

<https://www.phoenixcontact.com/pc/products/1017635>

	<ul style="list-style-type: none">• Observe the minimum bending radius of the cable. Lay the cable without twisting it.• The connector warms up in normal operation. Depending on the ambient conditions, the surface of the connector can continue to warm up. In this case, the user is responsible for posting warnings (e.g. DIN EN ISO 13732-1:2008-12).
--	--

Product properties

Type	Release with tool or by hand (see accessories)
Product type	Installation connector
Number of positions	3
Connection profile	2+PE
Locking type	Snap-in locking
Insertion force	30 N ±10 N

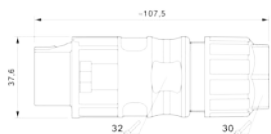
Insulation characteristics

Protection class	II
Degree of pollution	2

Electrical properties

Rated voltage (III/2)	690 V
Nominal voltage ATD	690 V AC in accordance with IEC 61984
	600 V AC In accordance with UL 2238
	500 V DC in accordance with IEC 61535, when mounted
Rated surge voltage (III/2)	8 kV
Rated current	35 A (With 6 mm ² conductor cross section in accordance with IEC 61984)
	32 A (with AWG 10, in accordance with UL 2237)
	32 A (With 6 mm ² conductor cross section in accordance with IEC 61535)

Dimensions

Dimensional drawing	
Width	37.6 mm
Height	37.6 mm
Length	107.5 mm

Material specifications

Color	black
Color of the housing part	black
Flammability rating according to UL 94	V0
Insulating material group	I / CTI 600

Coupler connector - PRC 3-FC-FS6 8-21 HR



1017635

<https://www.phoenixcontact.com/pc/products/1017635>

Cable seal material	EPDM
Contact material	Cu
Contact surface material	silver-plated
Contact carrier material	PPE
O-ring material	EPDM
Cable gland material	PPE
Housing material	PPE

Connector

Insertion/withdrawal cycles	2000
Pull-out-force	150 N ± 50 N

Cable / line

Cable structure

External cable diameter	8 mm ... 21 mm
	8 mm ... 21 mm
Single wire, cross section	1.5 mm ² 6 mm ²
Stripping length of the individual wire	Lay PE conductor 8 mm leading

Ambient conditions

Halogen-free	yes
--------------	-----

Mechanical properties

Mechanical data

Insertion force	30 N ± 10 N
-----------------	-------------

Environmental and real-life conditions

Ambient conditions

Degree of protection (when plugged in)	IP66 / IP68 (2m / 24h) / IP69K
Degree of protection	IP66 / IP68 (2m / 24h) / IP69K
Degree of protection	IP66 / IP68 (2m / 24h) / IP69K
Ambient temperature (operation)	-40 °C ... 105 °C (dependent on the derating curve)
Ambient temperature (storage/transport)	-40 °C ... 70 °C
Ambient temperature (assembly)	-5 °C ... 85 °C

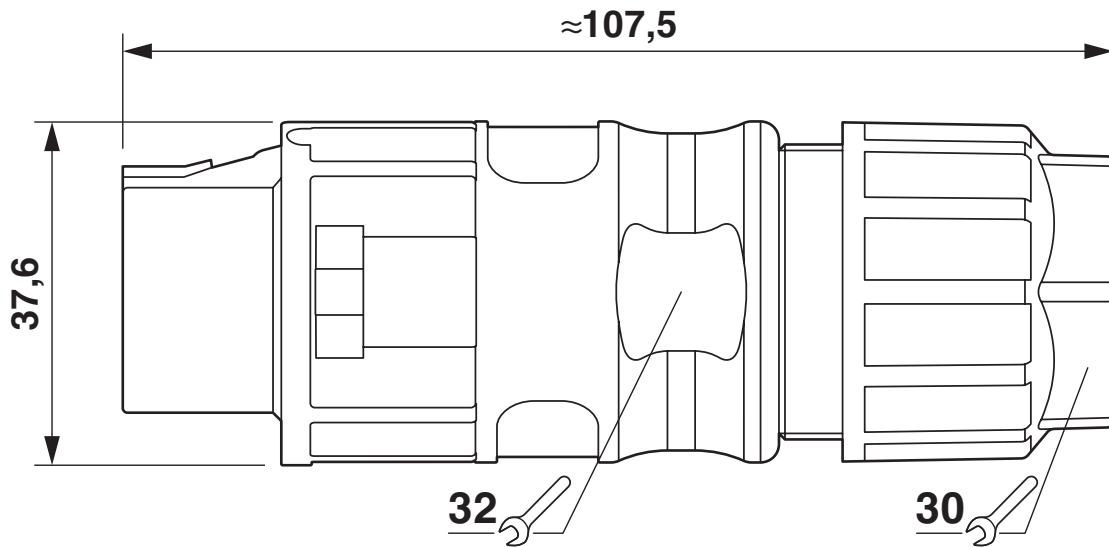
Coupler connector - PRC 3-FC-FS6 8-21 HR

1017635

<https://www.phoenixcontact.com/pc/products/1017635>

Drawings

Dimensional drawing

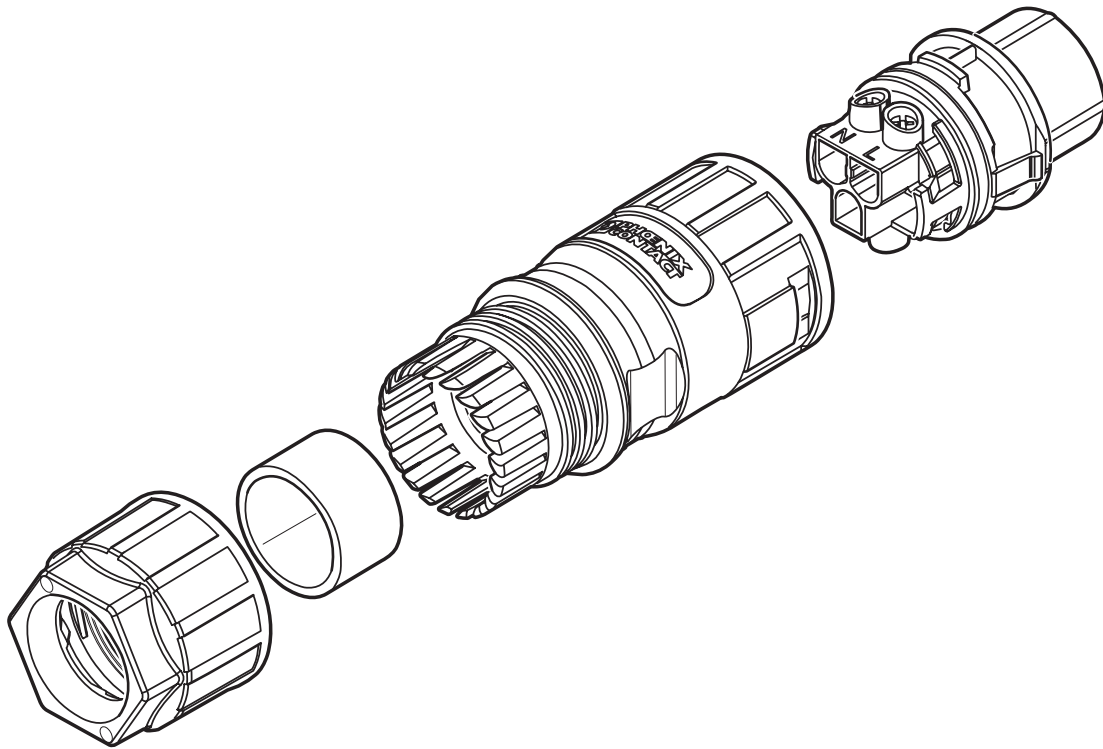


Coupler connector - PRC 3-FC-FS6 8-21 HR

1017635

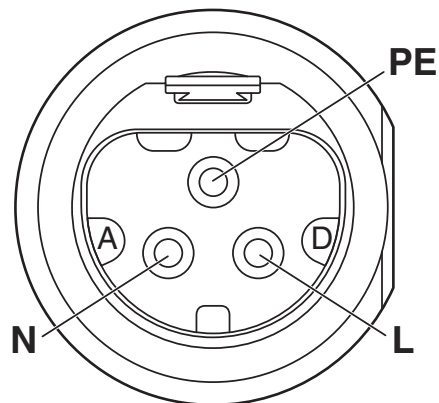
<https://www.phoenixcontact.com/pc/products/1017635>

Schematic diagram



Schematic design

Schematic diagram



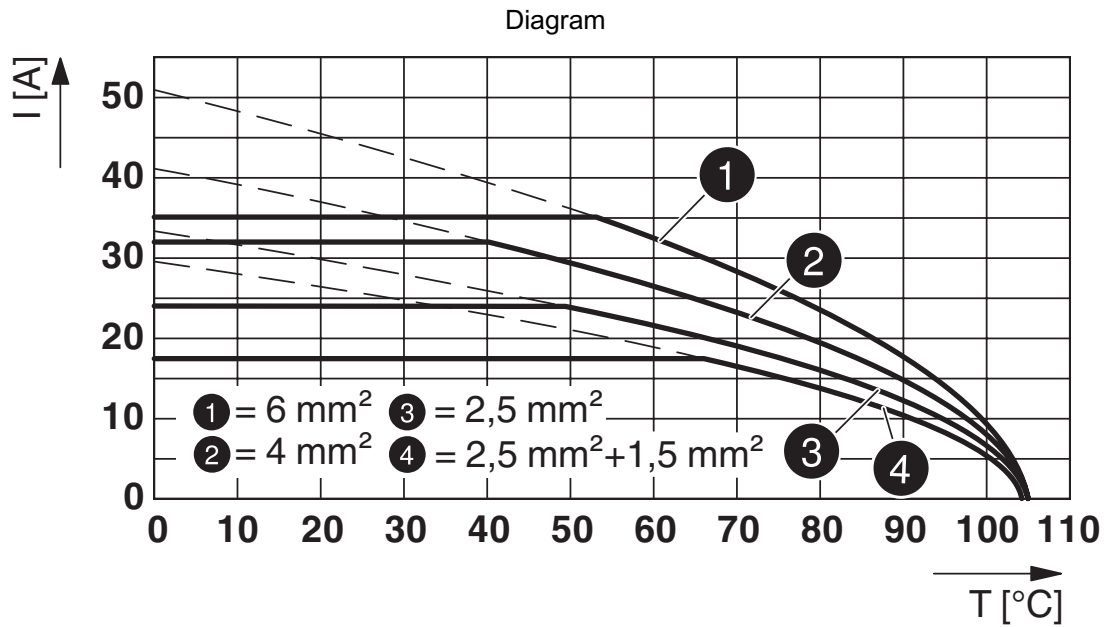
Connector pin assignment

Coupler connector - PRC 3-FC-FS6 8-21 HR



1017635

<https://www.phoenixcontact.com/pc/products/1017635>



Coupler connector - PRC 3-FC-FS6 8-21 HR



1017635

<https://www.phoenixcontact.com/pc/products/1017635>

Approvals



EAC

Approval ID: B.01687



UL Listed

Approval ID: E221474-20150513

	Nominal Voltage U_N	Nominal Current I_N	Cross Section AWG	Cross Section mm^2
	600 V	35 A	-	14 - 10



cUL Listed

Approval ID: E221474-20150513

	Nominal Voltage U_N	Nominal Current I_N	Cross Section AWG	Cross Section mm^2
	600 V	35 A	14 - 10	-



cUL Listed

Approval ID: E468743-20190809

	Nominal Voltage U_N	Nominal Current I_N	Cross Section AWG	Cross Section mm^2
	600 V	25 A	-	-



UL Listed

Approval ID: E468743-20190809

	Nominal Voltage U_N	Nominal Current I_N	Cross Section AWG	Cross Section mm^2
	600 V	32 A	-	-

Coupler connector - PRC 3-FC-FS6 8-21 HR



1017635

<https://www.phoenixcontact.com/pc/products/1017635>

Classifications

ECLASS

ECLASS-9.0	27440102
ECLASS-10.0.1	27440102
ECLASS-11.0	27440102

ETIM

ETIM 8.0	EC002635
----------	----------

UNSPSC

UNSPSC 21.0	39121400
-------------	----------

Coupler connector - PRC 3-FC-FS6 8-21 HR



1017635

<https://www.phoenixcontact.com/pc/products/1017635>

Accessories

Protective cap

Protective cap - PRC COVER F - 1409236

<https://www.phoenixcontact.com/pc/products/1409236>



Installation connector, Range of articles: PRC 35, Protective cap, housing material: PPE, color: black, rated voltage: 1000. Suitable for couplings (FS)

Screwdriver

Screwdriver - SZF 1-0,6X3,5 - 1204517

<https://www.phoenixcontact.com/pc/products/1204517>



Actuation tool, for ST terminal blocks, also suitable for use as a bladed screwdriver, size: 0.6 x 3.5 x 100 mm, 2-component grip, with non-slip grip

Coupler connector - PRC 3-FC-FS6 8-21 HR

1017635

<https://www.phoenixcontact.com/pc/products/1017635>

Color-coding

Color-coding - PRC FC RELEASE LATCH GY - 1002292

<https://www.phoenixcontact.com/pc/products/1002292>



Installation connector, Range of articles: PRC 35, Color-coding, housing material: PA 6.6-FR. If you are using the release latch, then the PRC approvals in accordance with IEC 61535 and 2PFG 1915 are not required

Color-coding

Color-coding - PRC FC RELEASE LATCH GN - 1002290

<https://www.phoenixcontact.com/pc/products/1002290>



Installation connector, Range of articles: PRC 35, Color-coding, housing material: PA 6.6-FR. If you are using the release latch, then the PRC approvals in accordance with IEC 61535 and 2PFG 1915 are not required

Coupler connector - PRC 3-FC-FS6 8-21 HR

1017635

<https://www.phoenixcontact.com/pc/products/1017635>

Color-coding

Color-coding - PRC FC RELEASE LATCH BU - 1002293

<https://www.phoenixcontact.com/pc/products/1002293>



Installation connector, Range of articles: PRC 35, Color-coding, housing material: PA 6.6-FR. If you are using the release latch, then the PRC approvals in accordance with IEC 61535 and 2PFG 1915 are not required

Screwdriver

Screwdriver - SZF 0-0,4X2,5 - 1204504

<https://www.phoenixcontact.com/pc/products/1204504>



Actuation tool, for ST terminal blocks, also suitable for use as a bladed screwdriver, size: 0.4 x 2.5 x 75 mm, 2-component grip, with non-slip grip

Coupler connector - PRC 3-FC-FS6 8-21 HR

1017635

<https://www.phoenixcontact.com/pc/products/1017635>

Philips screwdriver

Philips screwdriver - SF-PH 1-80 S-VDE - 1212693

<https://www.phoenixcontact.com/pc/products/1212693>



Screwdriver, crosshead PH (lasered), insulated, size: PH 1 x 80, 2-component handle, with non-slip grip

Tool

Tool - UNIFOX-WRENCH - 1212835

<https://www.phoenixcontact.com/pc/products/1212835>



Screw pliers, with fast adjustment, for wrench size 10 mm ... 36 mm, size: 260 mm

Coupler connector - PRC 3-FC-FS6 8-21 HR



1017635

<https://www.phoenixcontact.com/pc/products/1017635>

Connector

Connector - PRC 3-FC-MS6 8-21 - 1014498

<https://www.phoenixcontact.com/pc/products/1014498>



Installation connector, Range of articles: PRC 35, Connector, housing material: PPE, color: black, number of positions: 3, min. conductor cross section: 1.5 mm², max. conductor cross section: 6 mm², rated voltage: 690 V AC, rated current: 35 A, Connection method: Screw connection, Type of contact: Pin, min. cable diameter: 8 mm, max. cable diameter: 21 mm. Ensures touch protection

Phoenix Contact 2022 © - all rights reserved

<https://www.phoenixcontact.com>

PHOENIX CONTACT GmbH & Co. KG

Flachsmarktstraße 8

D-32825 Blomberg

+49 (0) 5235-3 00

info@phoenixcontact.com