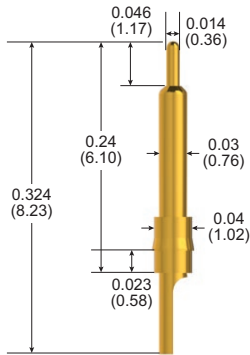


▶ 101679 PROBE



PROBE SPECIFICATIONS

| | |
|---------------------------|---|
| Minimum Centers | 0.055 (1.40) |
| Current Rating | 3 A continuous <i>(individual probe in free air @ ambient temperature)</i> |
| Spring Force | 37 g @ 0.023 (0.58) travel |
| Typical Resistance | < 25 mΩ |
| Maximum Travel | 0.023 (0.58) |
| Working Travel | 0.023 (0.58) |

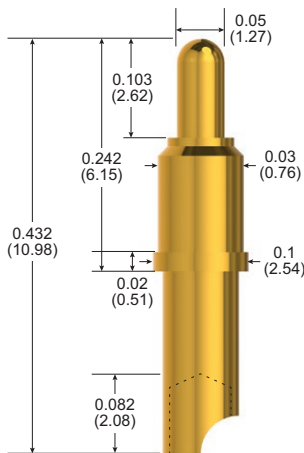
MATERIALS

| | |
|----------------|--------------------|
| Barrel | Brass, gold plated |
| Spring | Stainless steel |
| Plunger | Brass, gold plated |

HOW TO ORDER

| | |
|--------------------|------------|
| Part Number | 101679-000 |
|--------------------|------------|

▶ 101628 PROBE



PROBE SPECIFICATIONS

| | |
|---------------------------|--|
| Minimum Centers | 0.125 (3.18) |
| Current Rating | 25 A continuous <i>(individual probe in free air @ ambient temperature)</i> |
| Spring Force | 150 g @ 0.04 (1.02) travel |
| Typical Resistance | < 5 mΩ |
| Maximum Travel | 0.04 (1.02) |
| Working Travel | 0.04 (1.02) |

MATERIALS

| | |
|----------------|-------------------------------|
| Barrel | Brass, gold plated |
| Spring | Music wire, nickel plated |
| Plunger | Beryllium copper, gold plated |
| Ball | Stainless steel |

HOW TO ORDER

| | |
|--------------------|------------|
| Part Number | 101628-000 |
|--------------------|------------|