

PRODUCT NO.
SEE TABLE

10147613-AA B C D E LF

AA	POSITION
04	2X20
06	2X30
08	2X40
10	2X50
12	2X60
14	2X70
16	2x80
18	2x90

NOTE 5

B	FOR PLUG SEE DRAWING 10147614	
COMBINATION OF MATED HEIGHT	PLUG 1	PLUG 4
RECEP 1		
RECEP 2		

E	PACKAGING
0	TUBE WITHOUT CAP
6	T&R WITH KAPTON CAP

D	POLARIZATION PEG
0	YES
1	NO

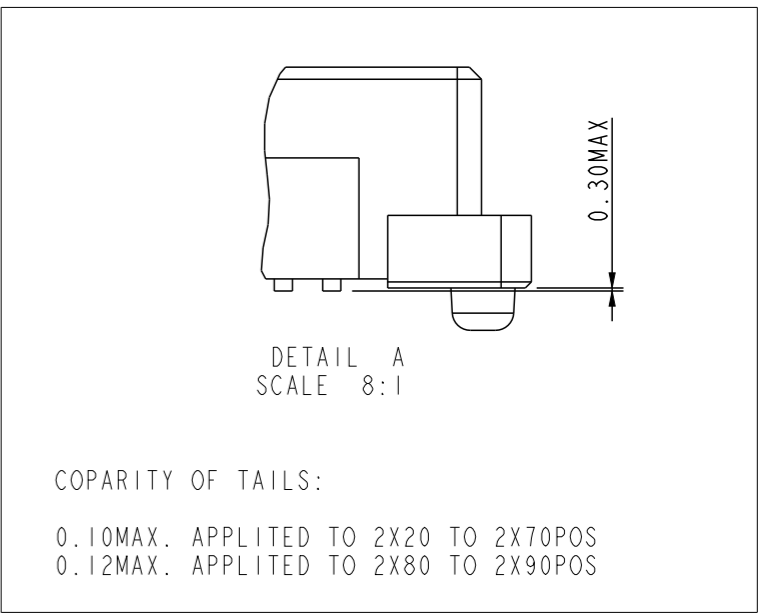
C	PLATING ON CONTACT AREA / ON SOLDER TAIL AREA
4	GOLD 0.2umMIN. ON CONTACT AREA PURE TIN 2.5um MIN(LEAD FREE) ON SOLDER TAIL NICKEL UNDERPLATE OVERALL 1.27um MIN
5	GOLD 0.38umMIN. ON CONTACT AREA PURE TIN 2.5um MIN(LEAD FREE) ON SOLDER TAIL NICKEL UNDERPLATE OVERALL 1.27um MIN
6	GOLD OR GXT 0.76umMIN ON CONTACT AREA PURE TIN 2.5um MIN(LEAD FREE) ON SOLDER TAIL NICKEL UNDERPLATE OVERALL 1.27um MIN

NOTE:

- MATERIAL:
HOUSING: HIGH TEMPERATURE RESIN,NATURAL, UL94-V0
TERMINAL: COPPER ALLOY
- PLATING:
AS SHOWN IN TABLE.
- SEE GS-12-1499 FOR PRODUCT SPEC.
- THE HOUSING WILL WITHSTAND EXPOSURE UP TO 260°C PEAK TEMPERATURE FOR 30 SECONDS IN A CONVECTION, INFRA-RED OR VAPOR PHASE REFLOW OVEN.
- ONLY 120POS PRODUCT IS AVAILABLE.

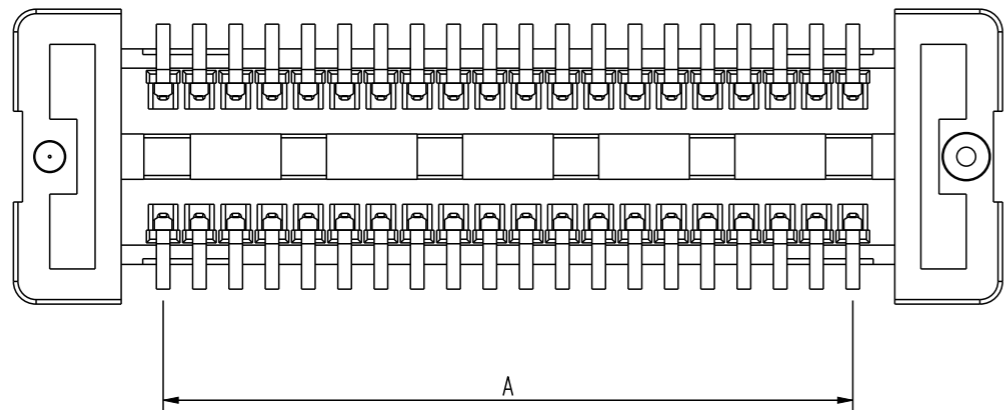
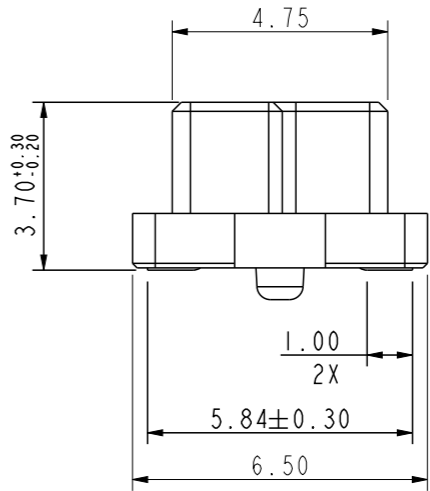
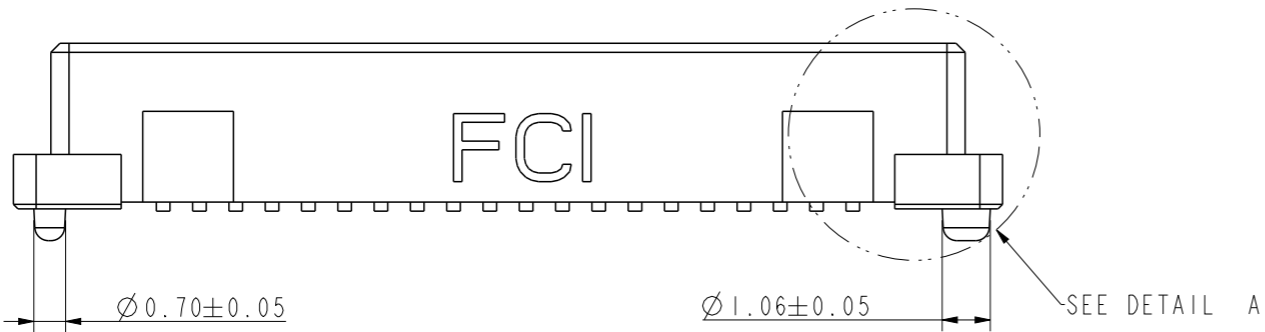
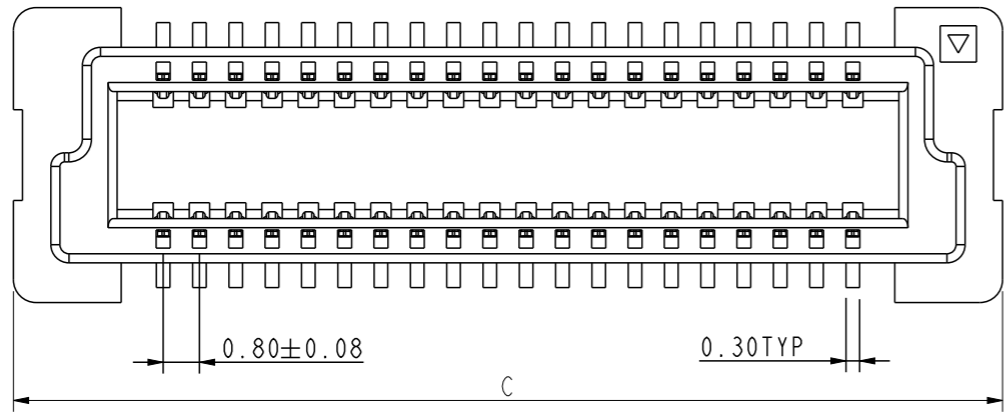
spec ref	-	dr	Bob Gu	2019/12/31	projection		size	A3	scale	3:1
tolerance std	ISO 406 ISO 1101	eng	Bob Gu	2021/11/18	mm		ecn no	ELX-N-38763-1		
	TOLERANCES UNLESS OTHERWISE SPECIFIED	chr	-	-	product family	-	rel level	Released		
surface	linear	appr	Tim Yao	2021/11/19	RECEPTACLE ASSEMBLY		dwg no	10147613	rev	C
	angular				BERGSTAK HS 0.8MM					
	0.X ±0.3	cat. no.	-	Product - Customer Drw	sheet 1 of 4					
	0.XX ±0.15									
	0.XXX ±0.08									
	0° ±2°									

PRODUCT NO.	NO. OF POSITION	DEMENSION		
		A	B	C
10147613-041*0**LF	2X20	15.20	20.20	21.80
10147613-061*0**LF	2X30	23.20	28.20	29.80
10147613-081*0**LF	2X40	31.20	36.20	37.80
10147613-101*0**LF	2X50	39.20	44.20	45.80
10147613-121*0**LF	2X60	47.20	52.20	53.80
10147613-141*0**LF	2X70	55.20	60.20	61.80
10147613-161*0**LF	2x80	63.20	68.20	69.80
10147613-181*0**LF	2x90	71.20	76.20	77.80



COPARITY OF TAILS:

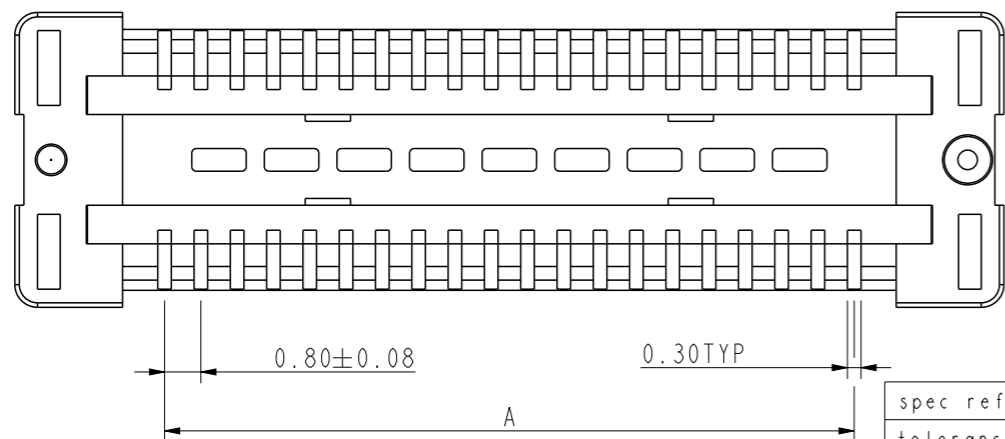
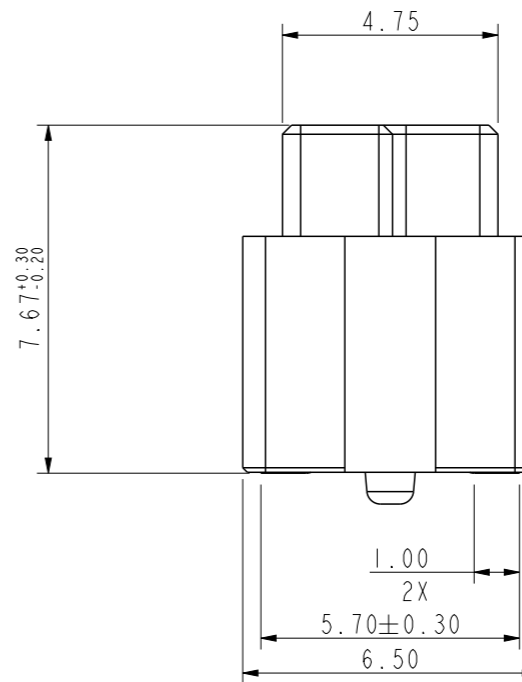
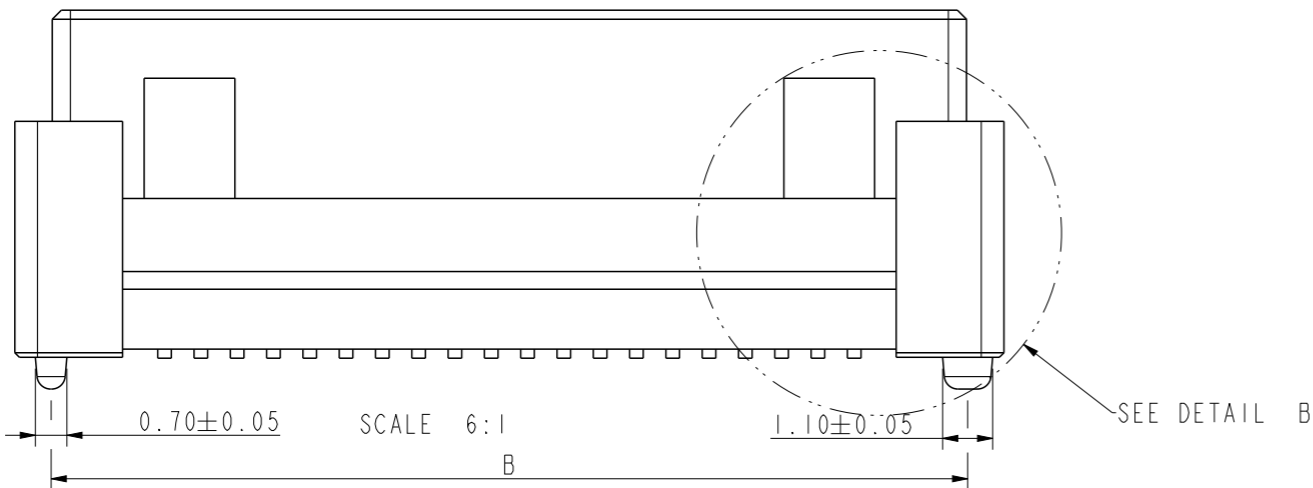
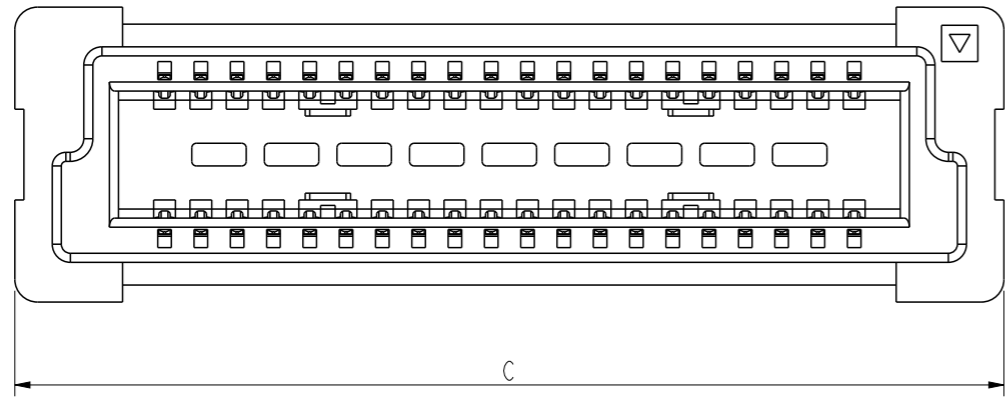
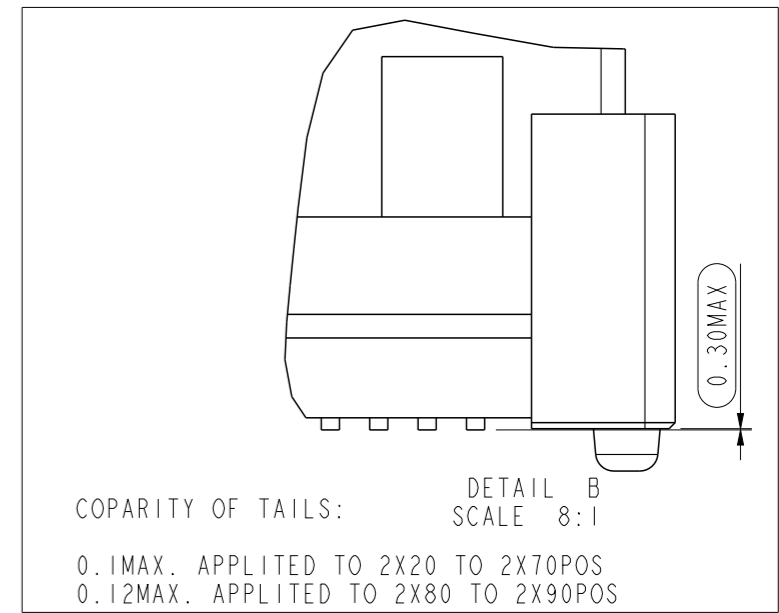
0.10MAX. APPLITED TO 2X20 TO 2X70POS
0.12MAX. APPLITED TO 2X80 TO 2X90POS



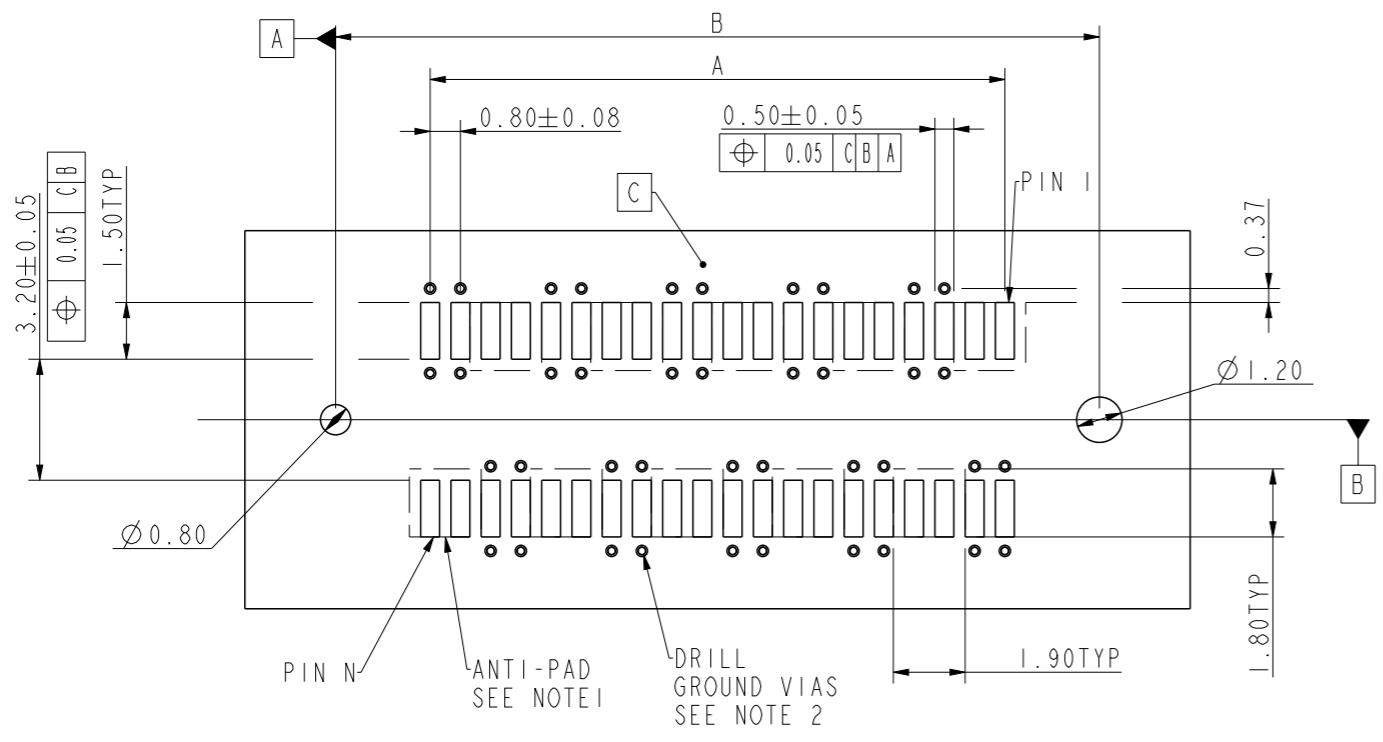
BERGSTAK HS RECEPI

spec ref	-	dr	Bob Gu	2019/12/31	projection	mm	size	A3	scale	2:1
tolerance std	ISO 406 ISO 1101	eng	Bob Gu	2021/11/18			ecn no	ELX-N-38763-1		
TOLERANCES UNLESS OTHERWISE SPECIFIED		chr	-	-			rel level	Released		
surface	linear	appr	Tim Yao	2021/11/19	product family	RECEPTACLE ASSEMBLY		dwg no	10147613	
	angular					BERGSTAK HS 0.8MM		rev	C	
ISO 1302	0.X ±0.3 0.XX ±0.15 0.XXX ±0.08	cat. no.	Product - Customer Drw			sheet 2 of 4				

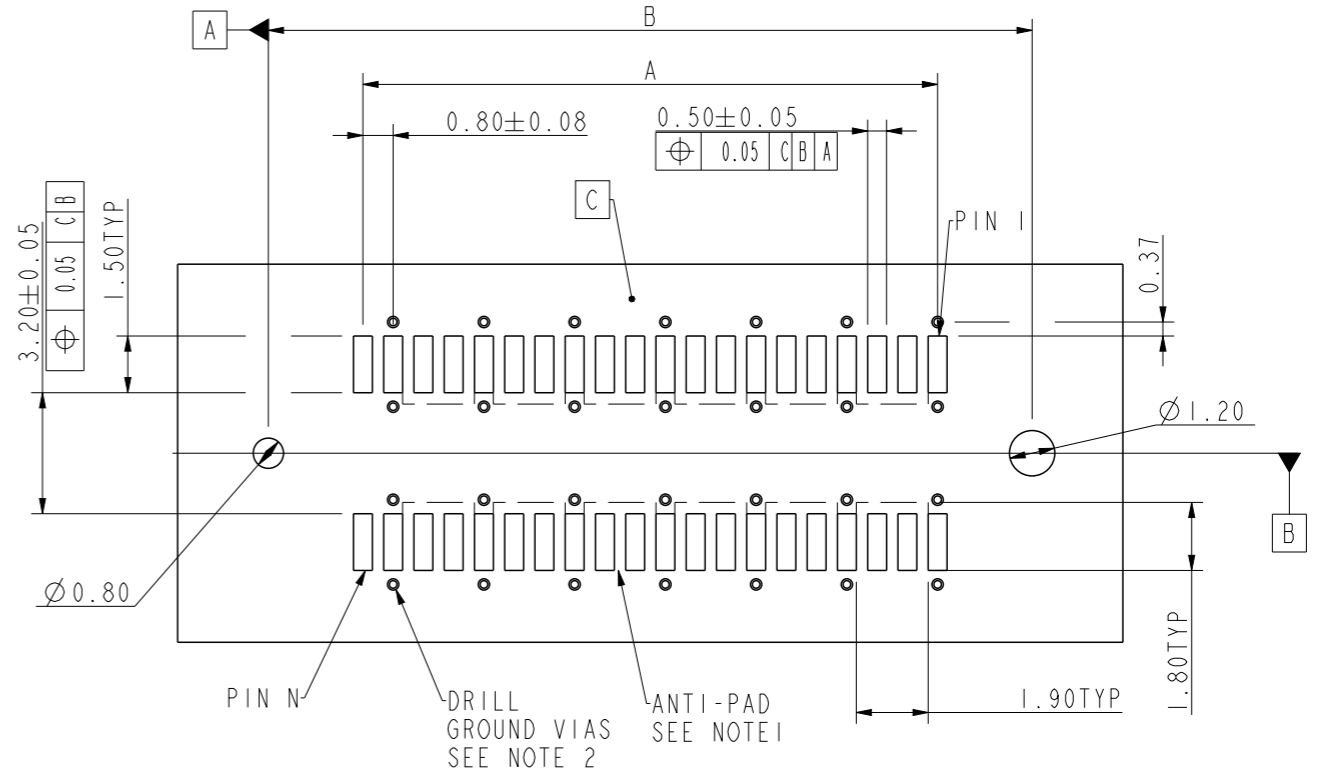
PRODUCT NO.	NO. OF POSITION	DEMENSION		
		A	B	C
10147613-042*0**LF	2X20	15.20	20.20	21.80
10147613-062*0**LF	2X30	23.20	28.20	29.80
10147613-082*0**LF	2X40	31.20	36.20	37.80
10147613-102*0**LF	2X50	39.20	44.20	45.80
10147613-122*0**LF	2X60	47.20	52.20	53.80
10147613-142*0**LF	2X70	55.20	60.20	61.80



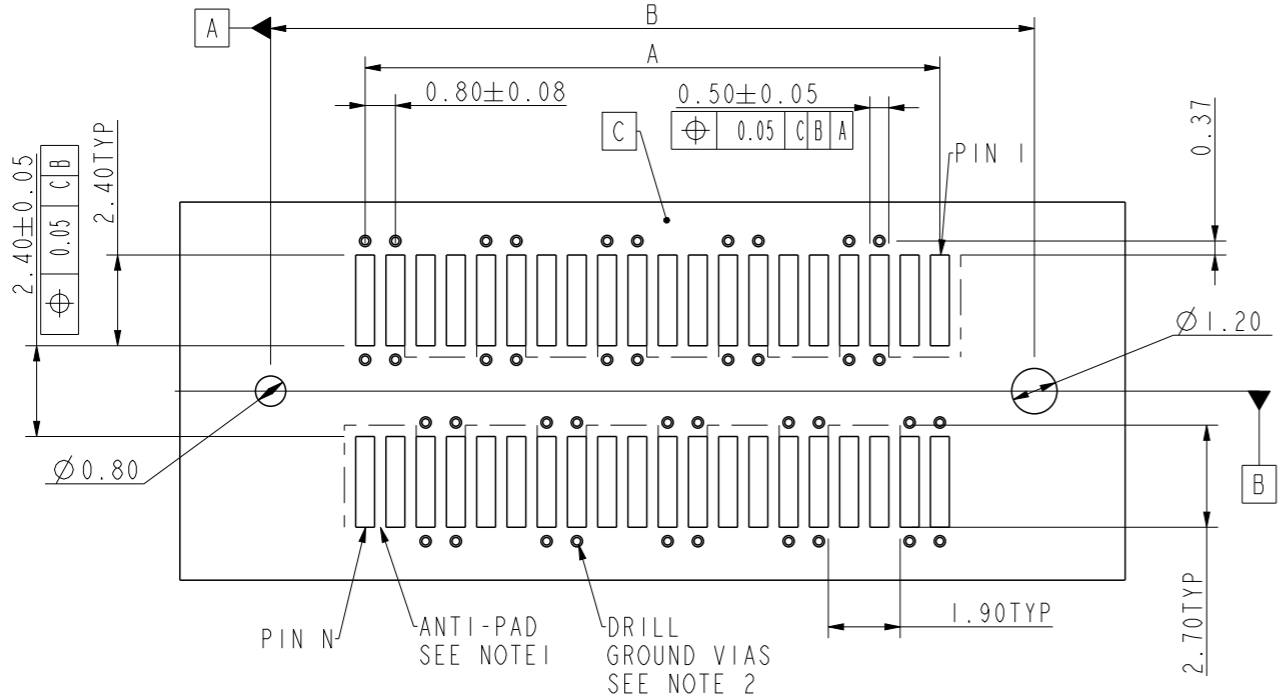
spec ref -		dr Bob Gu	2019/12/31	projection	mm	size A3	scale 2:1
tolerance std ISO 406 ISO 1101		eng Bob Gu	2021/11/18			ecn no ELX-N-38763-1	
TOLERANCES UNLESS OTHERWISE SPECIFIED		chr -	-			rel level Released	
surface	linear	appr Tim Yao	2021/11/19	product family		rev C	
ISO 1302	angular	Amphenol FCI		RECEPTACLE ASSEMBLY		dwg no 10147613	
				BERGSTAK HS 0.8MM		sheet 3 of 4	
		cat. no.		Product - Customer Drw			



DOUBLE GROUND PATTERN
RECOMMENDED HS PCB LAYOUT



SIGLE GROUND PATTERN
RECOMMENDED HS PCB LAYOUT



DOUBLE GROUND PATTERN
RECOMMENDED STD PCB LAYOUT

PRODUCT NO.	NO. OF POSITION	DEMENSION	
		A	B
10147613-041*0**LF	2X20	15.20	20.20
10147613-061*0**LF	2X30	23.20	28.20
10147613-081*0**LF	2X40	31.20	36.20
10147613-101*0**LF	2X50	39.20	44.20
10147613-121*0**LF	2X60	47.20	52.20
10147613-141*0**LF	2X70	55.20	60.20
10147613-161*0**LF	2x80	63.20	68.20
10147613-181*0**LF	2x90	71.20	76.20

NOTE:

- FOR HS PCB, THE RECOMMENDED VOID SIZE IS 1.9MMx1.8MM;
FOR STD PCB, THE RECOMMENDED VOID SIZE IS 1.9MMx2.7MM;
- THE GROUND VIAS ARE REQUIRED TO ADD TO BOTH SIDES OF GROUND PAD, THE DISTANCE FROM VIA CENTER TO THE PAD EDGE IS RECOMMENDED TO BE 0.37MM.

spec ref	-	dr	Bob Gu	2019/12/31	projection	mm	size	A3	scale	5:1
tolerance std	ISO 406 ISO 1101	eng	Bob Gu	2021/11/18			ecn no	ELX-N-38763-1	rel level	Released
TOLERANCES UNLESS OTHERWISE SPECIFIED		chr	-	apppr						
surface	linear	0.X	±0.3			RECEPTACLE ASSEMBLY BERGSTAK HS 0.8MM		dwg no	10147613	rev
		0.XX	±0.15							
0.XXX	±0.08									
ISO 1302	angular	0°	±2°	cat. no.	Product - Customer Drw		sheet 4 of 4			