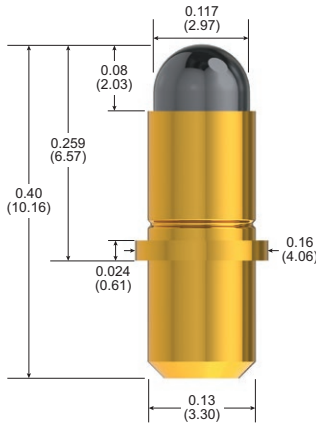


► 101402 PROBE



PROBE SPECIFICATIONS

<b>Minimum Centers</b>	0.175 (4.45)
<b>Current Rating</b>	20 A continuous <i>(individual probe in free air @ ambient temperature)</i>
<b>Spring Force</b>	275 g @ 0.05 (1.27) travel
<b>Typical Resistance</b>	< 10 mΩ
<b>Maximum Travel</b>	0.08 (2.03)
<b>Working Travel</b>	0.05 (1.27)

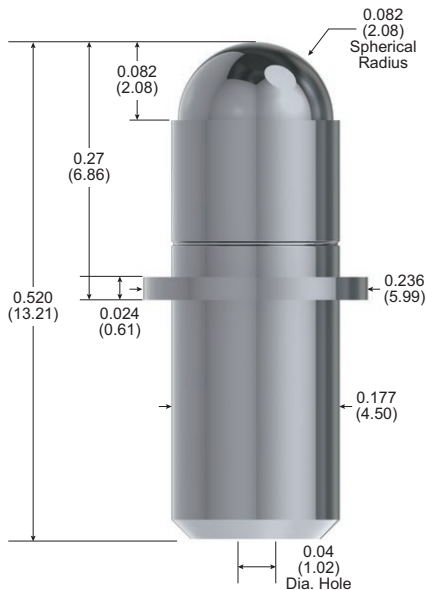
MATERIALS

<b>Barrel</b>	Nickel/silver, gold plated
<b>Spring</b>	Stainless steel, passivated
<b>Plunger</b>	Brass, Duralloy™

HOW TO ORDER

<b>Part Number</b>	101402-000
--------------------	------------

► 100804 PROBE



PROBE SPECIFICATIONS

<b>Minimum Centers</b>	0.25 (6.35)
<b>Current Rating</b>	30 A continuous <i>(individual probe in free air @ ambient temperature)</i>
<b>Spring Force</b>	252 g @ 0.54 (1.37) travel
<b>Typical Resistance</b>	< 5 mΩ
<b>Maximum Travel</b>	0.082 (2.08)
<b>Working Travel</b>	0.054 (1.37)

MATERIALS

<b>Barrel</b>	Brass, Duralloy™ plated
<b>Spring</b>	Stainless steel, passivated
<b>Plunger</b>	Brass, Duralloy™ plated

HOW TO ORDER

<b>Part Number</b>	100804-002
--------------------	------------