

1

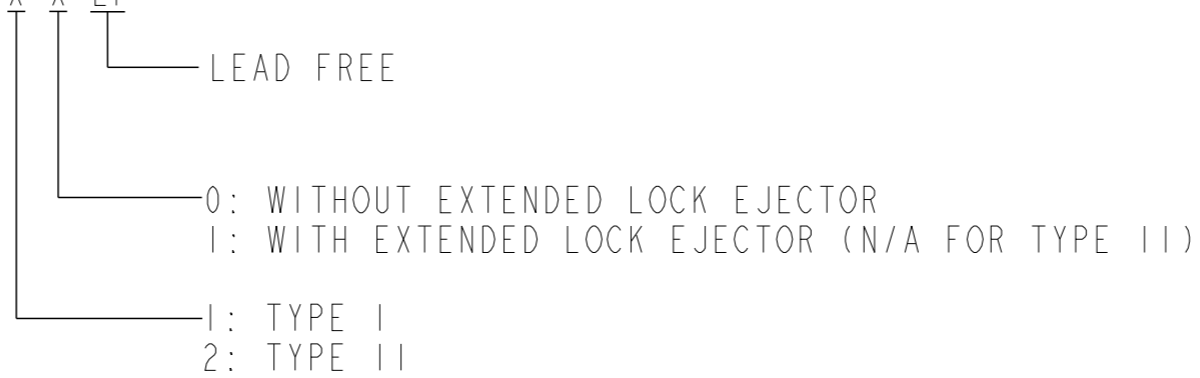
2

3

4

PRODUCT NUMBERING:

10137846 - 0 0 X X LF



NOTES:

- 1. APPLICABLE CABLE: RECOMMENDED AWG- 30~26 X 8C
MAX AWG22 x4C
OVERALL DIAMETER 6.7MAX.
- 2. DATE CODE IS DESCRIBED ON THE BOUNDED CUSTOMER DRAWING.
- 3. PACKAGING SPEC GS-14-2538

Amphenol
FCi

© 2016 AFCI

spec ref		GS-12-1345		dr	A P Sawanth	2016/09/07	projection 	mm 	size	A3	scale	3:1
tolerance std		TOLERANCES UNLESS OTHERWISE SPECIFIED		eng	Mike Zhou	2017/11/13			ecn no	ELX-N-28452-1		
ISO 406 ISO 1101				chr	-	-	product family		rel level	Released		
surface	linear	0.X	±0.5	Amphenol FCi	MINI I/O PLUG CONN KIT D-SHAPE			dwg no	10137846		rev	B
		0.XX	±-		TYPE I / TYPE II							
ISO 1302	angular	0°	±°		cat. no.	Product - Customer Drw			sheet 1 of 3			

2

3

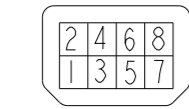
PDS: Rev :B

STATUS:Released

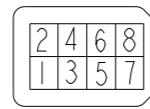
Printed: Nov 13, 2017

10137846-0020LF
D-SHAPE TYPE II

10137237-0010LF
D-SHAPE TYPE I

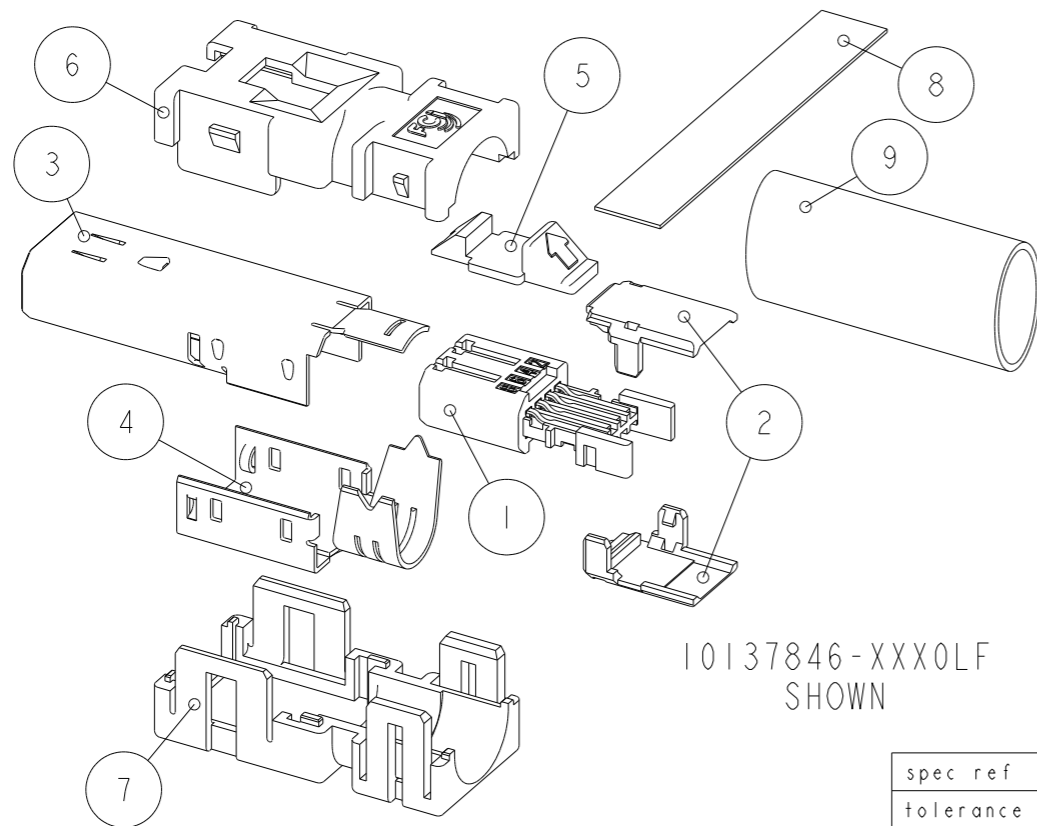
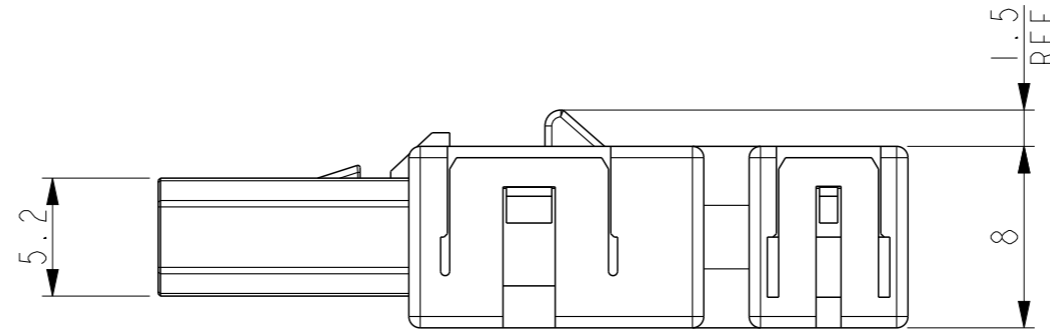
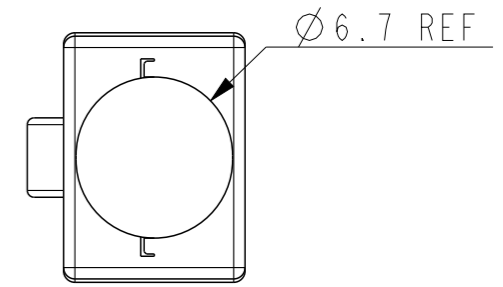
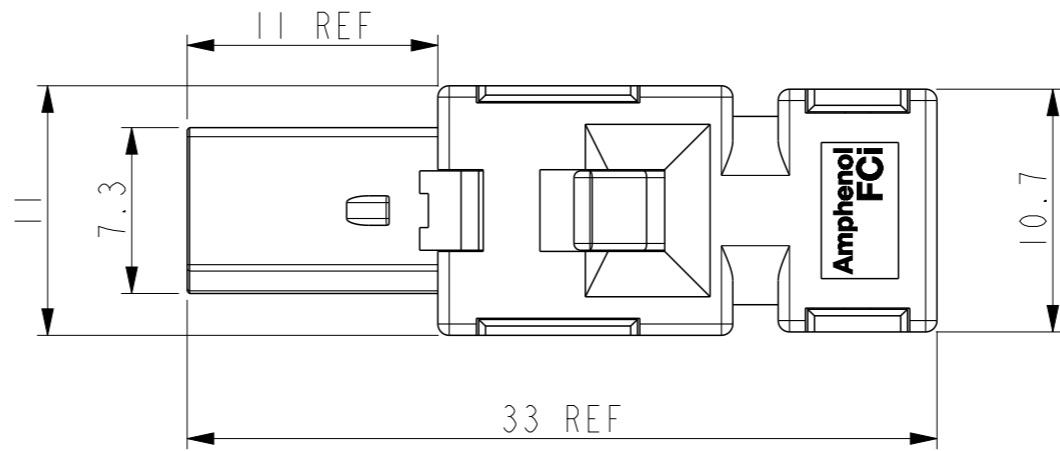


CIRCUIT NO.



CIRCUIT NO.

VIEW

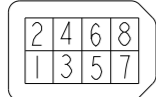


10137846-XXX0LF
SHOWN

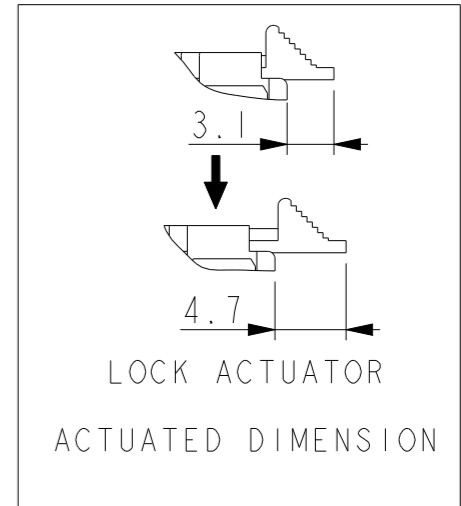
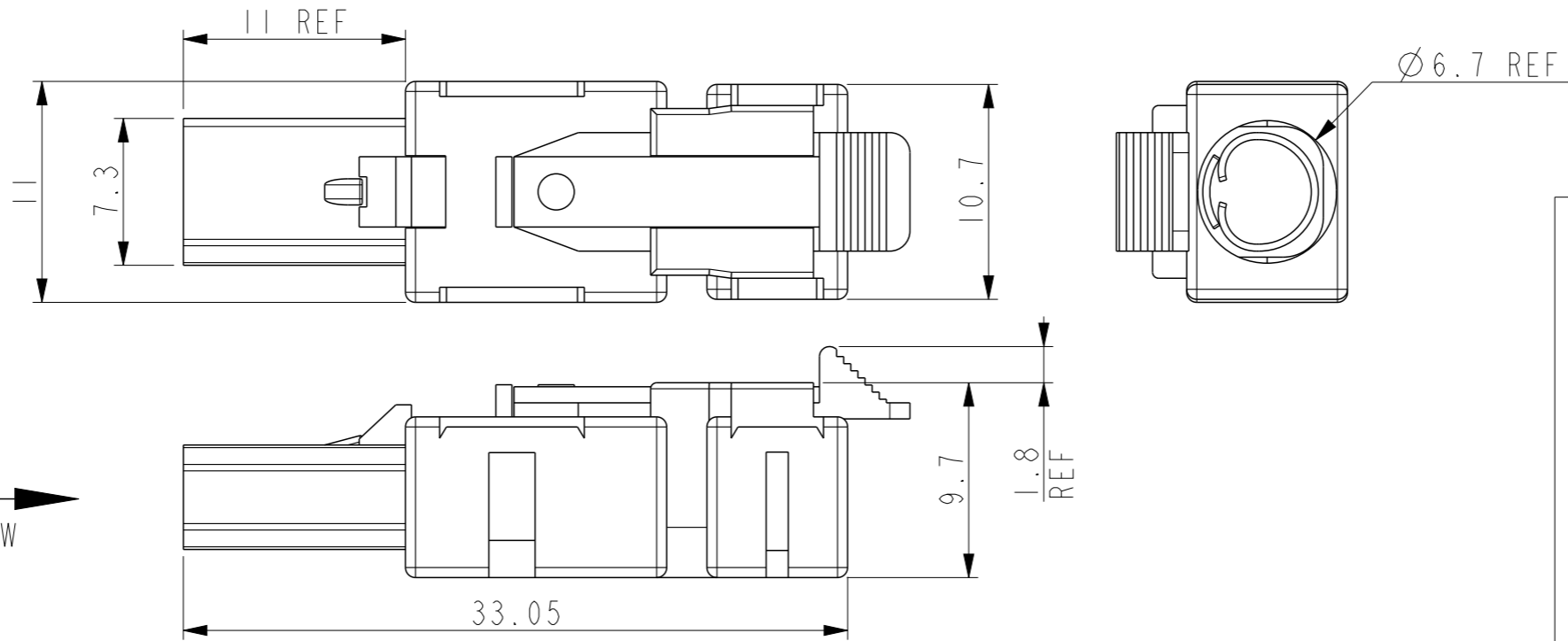
ITEM NO.	PART NAME	MATERIAL/FINISH	QTY	
1	PLUG HSG SUB ASSY	CONTACT: COPPER ALLOY UNDER ALL SURFACE: Ni PLATING 1.27µmMIN TOP CONTACT AREA: Au PLATING: 0.5µmMIN SOLDERING AREA: Au FLASH HSG: POLY-AMID OF GLASS FILLED THERMO PLASTIC(UL94V-0)	10137846-0010LF	10137846-0020LF
2	PLUG HSG COVER	POLYESTER OF GLASS FILLED THERMO PLASTIC(UL94V-0)	2	2
3	TOP SHELL	STEEL/UNDER: Cu PLATING, TOP: Ni PLATING	1	1
4	BOTTOM SHELL	STEEL/UNDER: Cu PLATING, TOP: Ni PLATING	1	1
5	LOCK EJECTOR	POLYESTER OF GLASS FILLED THERMO PLASTIC(UL94V-0)	1	1
6	TOP COVER-BLACK	POLYESTER OF GLASS FILLED THERMO PLASTIC(UL94V-0)	1	1
7	BOTTOM COVER-BLACK	POLYESTER OF GLASS FILLED THERMO PLASTIC(UL94V-0)	1	1
8	COPPER FOIL TAPE	ELECTROLYSIS COPPER FOIL, ACRYLIC ADHESIVE MATERIAL	1	1
9	HEAT SHRINKABLE TUBE	CROSS-LINKED POLYOLEFIN	1	1

spec ref	GS-12-1345	dr	A P Sawanth	2016/09/07	projection	mm	size	A3	scale	3:1
tolerance std	ISO 406 ISO 1101	eng	Mike Zhou	2017/11/13			ecn no	ELX-N-28452-1		
TOLERANCES UNLESS OTHERWISE SPECIFIED		chr	-	-			rel level	Released		
surface	linear	0.X	±0.5	Amphenol FCi	product family		MINI I/O PLUG CONN KIT D-SHAPE TYPE I / TYPE II	dwg no 10137846	rev B	
		0.XX	±-		cat. no.	Product - Customer Drw				sheet 2 of 3
	angular	0°	±°							

D-SHAPE TYPE I



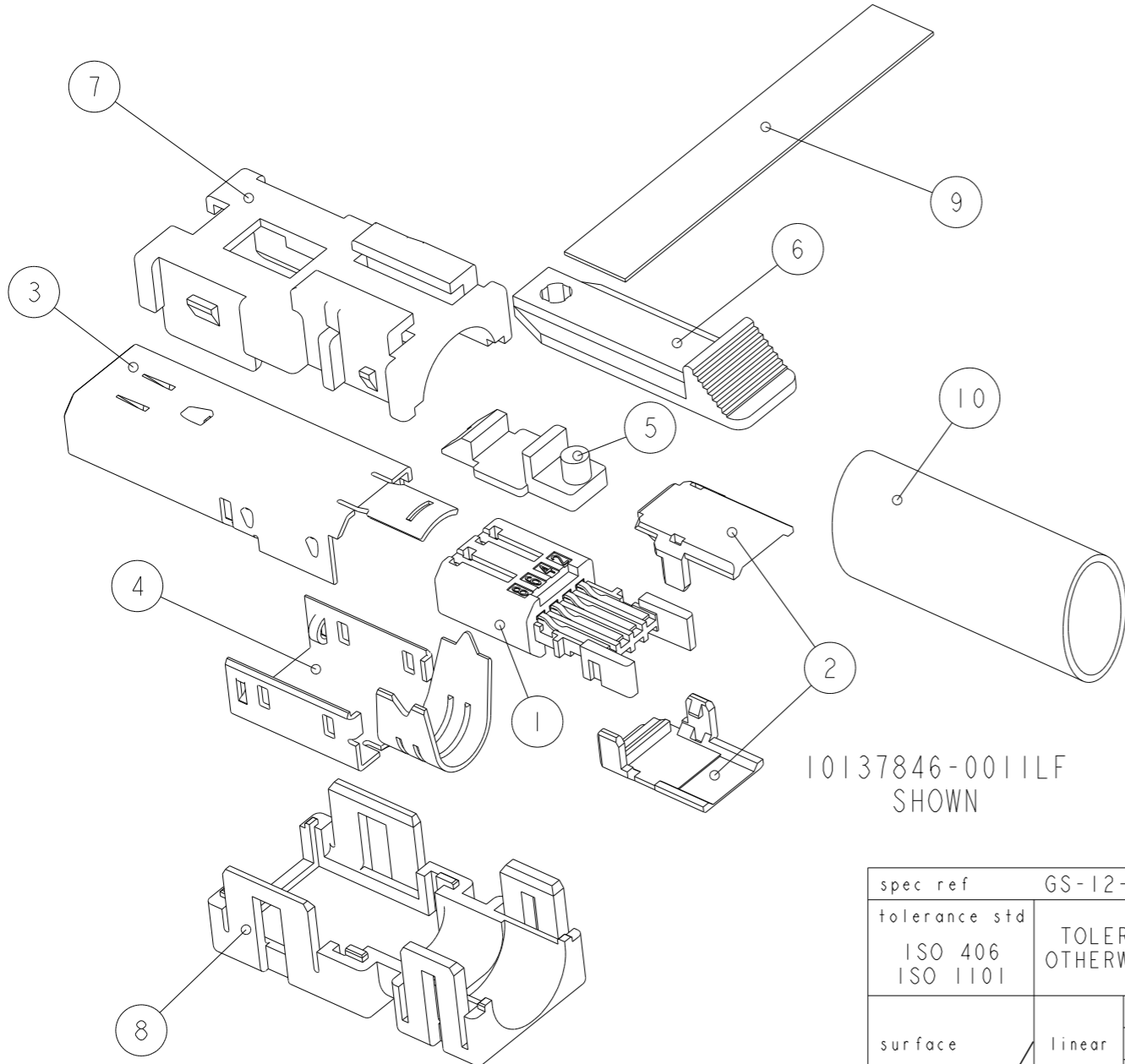
CIRCUIT NO.



NOTE:

BEFORE THIS KIT IS PACKED TO TRAY, (6) SHOULD BE ASSEMBLED TO (7)

ITEM NO.	PART NAME	MATERIAL/FINISH	QTY
1	PLUG HSG SUB ASSY	CONTACT: COPPER ALLOY UNDER ALL SURFACE: Ni PLATING 1.27µmMIN TOP CONTACT AREA: Au PLATING: 0.5µmMIN SOLDERING AREA: Au FLASH	10137846-0011LF
		HSG: POLY-AMID OF GLASS FILLED THERMO PLASTIC(UL94V-0)	1
2	PLUG HSG COVER	POLYESTER OF GLASS FILLED THERMO PLASTIC(UL94V-0)	2
3	PLUG SHELL	STEEL/UNDER: Cu PLATING, TOP: Ni PLATING	1
4	BOTTOM SHELL	STEEL/UNDER: Cu PLATING, TOP: Ni PLATING	1
5	LOCK EJECTOR EXT VER.	POLYESTER OF GLASS FILLED THERMO PLASTIC(UL94V-0)	1
6	PLUG LOCK ACTUATOR	POLYESTER OF GLASS FILLED THERMO PLASTIC(UL94V-0)	1
7	TOP COVER EJECTOR EXT VER.	POLYESTER OF GLASS FILLED THERMO PLASTIC(UL94V-0)	1
8	BOTTOM COVER	POLYESTER OF GLASS FILLED THERMO PLASTIC(UL94V-0)	1
9	COPPER FOIL TAPE	ELECTROLYSIS COPPER FOIL, ACRYLIC ADHESIVE MATERIAL	1
10	HEAT SHRINKABLE TUBE	CROSS-LINKED POLYOLEFIN	1



spec ref	GS-12-1345	dr	A P Sawanth	2016/09/07	projection	mm	size	A3	scale	3:1	
tolerance std	ISO 406 ISO 1101	eng	Mike Zhou	2017/11/13			ecn no	ELX-N-28452-1			
TOLERANCES UNLESS OTHERWISE SPECIFIED		chr	-	-			rel level	Released			
surface	linear	0.X	±0.5		MINI I/O PLUG CONN KIT D-SHAPE TYPE I / TYPE II	dwg no 10137846	rev B	Product - Customer Drw			
	angular	0°	±°					cat. no.	sheet 3 of 3		
ISO 1302											