

PRODUCT NUMBER

10134160-YXXXLF

- RoHS COMPATIBLE,
- LEAD FREE
- LUBRICANT
- APPLICABLE AWG
- MATERIAL
- PLATING

NOTES

1- PLATING :

1- GOLD FLASH 0.1 μm MIN ON CONTACT AREA
 2μm MIN MATTE TIN ON CRIMPING AREA
 1.27μm MIN Ni UNDERLAYER

2- PRE-PLATED FULL TIN :
 2μm MIN MATTE TIN OVERALL

3- GOLD 0.38μm MIN ON CONTACT AREA
 2μm MIN MATTE TIN ON CRIMPING AREA
 1.27μm MIN Ni UNDERLAYER

4- GOLD 0.76μm MIN ON CONTACT AREA
 2μm MIN MATTE TIN ON CRIMPING AREA
 1.27μm MIN Ni UNDERLAYER

5- POST-PLATED FULL TIN :
 2μm MIN MATTE TIN OVERALL
 1.27μm MIN Ni UNDERLAYER

2- MATERIAL

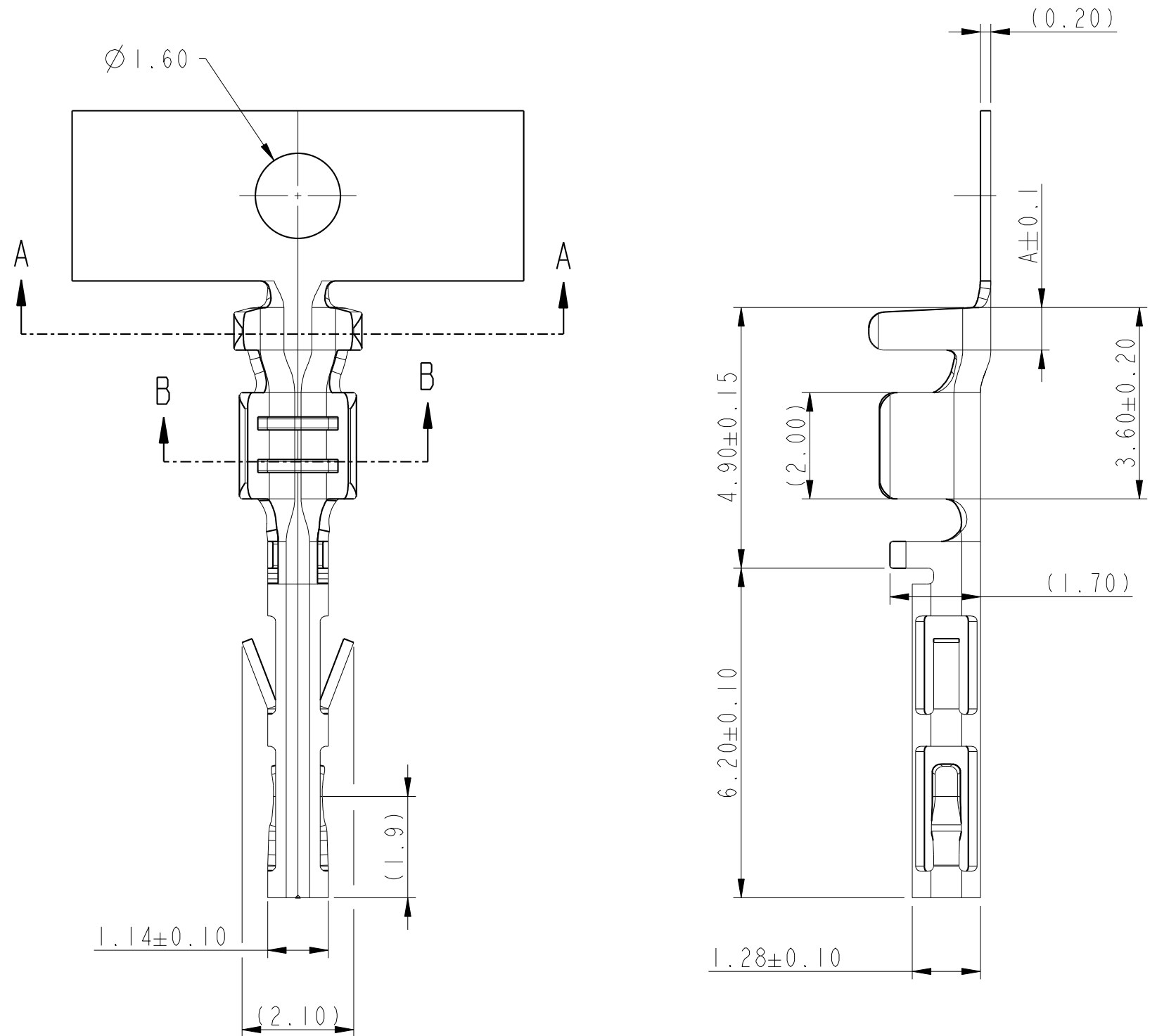
- 2- CHRYSOCAL
- 3- CUPRONICKEL (High current version)

3- APPLICABLE AWG

- 1- AWG #16-20 : INSULATOR DIAMETER 2.2MM MAX
- 2- AWG #20-24 : INSULATOR DIAMETER 1.85MM MAX
- 3- AWG #26-30 : INSULATOR DIAMETER 1.27MM MAX

4- LUBRICANT :
 0- NONE

5- PRODUCT SPECIFICATION : GS-12-1374

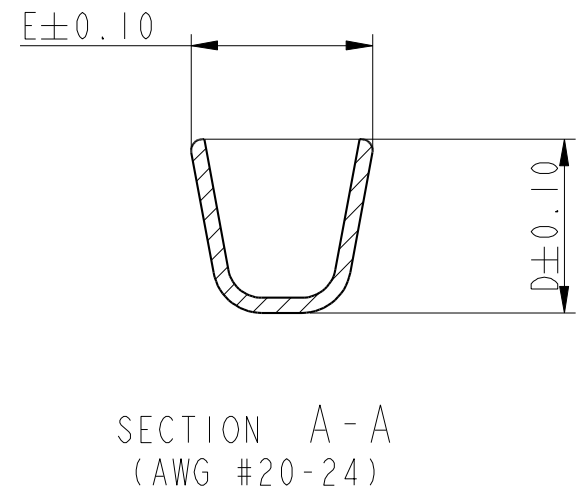
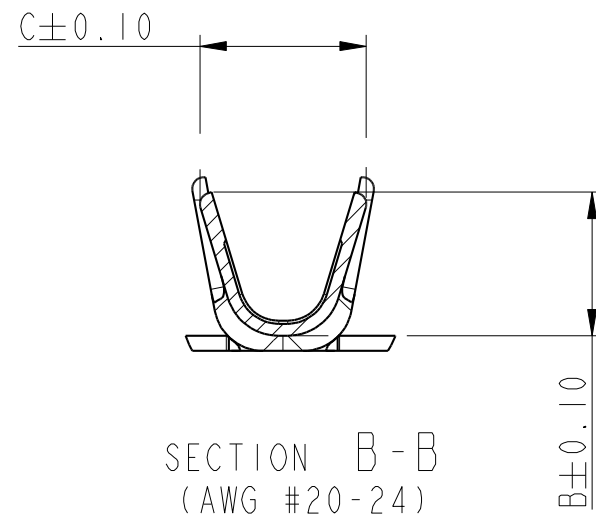


Amphenol FCI

© 2016 AFCI

| | | | | | | | | | | | | |
|---------------|---------------------|---------|----------------|------------|----------------|----|-----------|---------------|------------------------|--------------|-----|---|
| spec ref | - | dr | Glass-adm, Mar | 2017/07/11 | projection | mm | size | A3 | scale | 10:1 | | |
| tolerance std | ISO 406 ISO 1101 | eng | Dalibard, Jero | 2019/01/31 | | | ecn no | ELX-F-32615-1 | | | | |
| surface | linear | chr | Dalibard, Jero | 2019/01/31 | | | rel level | Released | | | | |
| | angular | appr | Aymeric Soudy | 2019/01/31 | product family | - | rel level | Released | | | | |
| | | surface | linear | 0.X | ± 0.4 | | dwg no | 10134160 | | | rev | C |
| | | | | 0.XX | ± 0.30 | | cat. no. | - | Product - Customer Drw | sheet 1 of 2 | | |
| | | | | 0.XXX | \pm | | | | | | | |
| | | | | angular | 0° | | | | | | | |

| PART NUMBER | DIM A | DIM B | DIM C | DIM D | DIM E | APPLICABLE WIRES |
|-----------------|-------|-------|-------|-------|-------|------------------|
| 10134160-YX3XLF | 0.8 | 1.45 | 1.60 | 1.90 | 2.00 | AWG #26-30 |
| 10134160-YX2XLF | 0.8 | 1.90 | 2.20 | 2.30 | 2.40 | AWG #20-24 |
| 10134160-YX1XLF | 1.0 | 2.40 | 2.60 | 3.25 | 3.10 | AWG #16-20 |



Amphenol
FCi

© 2016 AFCI

| | | | | | | | | | | |
|---------------|---------------------|---------------------------------------|----------------|------------|-----------------|----------------|------------------------|---------------------------|---------------|--------------|
| spec ref | - | dr | Glass-adm, Mar | 2017/07/11 | projection | mm | size | A3 | scale | 10:1 |
| tolerance std | ISO 406 ISO 1101 | TOLERANCES UNLESS OTHERWISE SPECIFIED | | | eng | Dalibard, Jero | 2019/01/31 | ecn no | ELX-F-32615-1 | |
| surface | ISO 1302 | linear | 0.X | ±0.4 | chr | Dalibard, Jero | 2019/01/31 | rel level | Released | |
| | | | 0.XX | ±0.30 | appr | Aymeric Soudy | 2019/01/31 | product family | - | |
| | | angular | 0° | ±2° | Amphenol FCi | | | RECEPTACLE CRIMP TERMINAL | dwg no | 10134160 |
| | | | | | | | | MINITEK POWER 3.0 | rev | C |
| | | | | | cat. no. | - | Product - Customer Drw | | | sheet 2 of 2 |