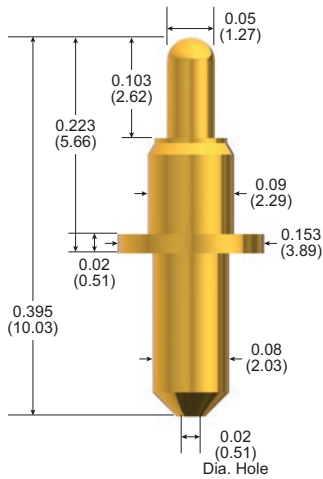


## ▶ 100410 PROBE



### PROBE SPECIFICATIONS

|                           |  |
|---------------------------|--|
| <b>Minimum Centers</b>    | 0.175 (4.45)   |
| <b>Current Rating</b>     | 15 A continuous<br><i>(individual probe in free air @ ambient temperature)</i> |
| <b>Spring Force</b>       | 176 g @ 0.06 (1.52) travel   |
| <b>Typical Resistance</b> | < 5 mΩ   |
| <b>Maximum Travel</b>     | 0.09 (2.29)  |
| <b>Working Travel</b>     | 0.06 (1.52)  |

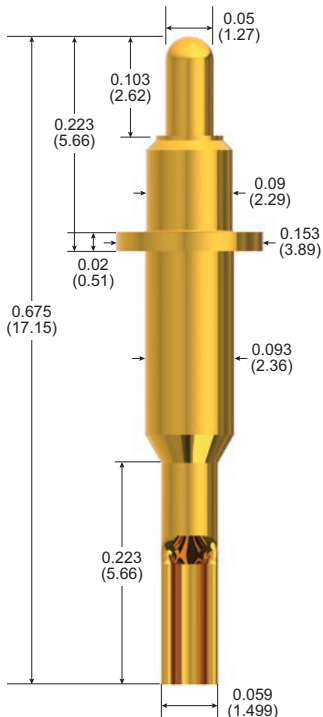
### MATERIALS

|                  |                               |
|------------------|-------------------------------|
| <b>Barrel</b>    | Nickel/silver, gold plated    |
| <b>Spring</b>    | Stainless steel               |
| <b>Plunger</b>   | Beryllium copper, gold plated |
| <b>Bias Ball</b> | Stainless steel               |

### HOW TO ORDER

|                    |            |
|--------------------|------------|
| <b>Part Number</b> | 100410-005 |
|--------------------|------------|

## ▶ 101119 PROBE



### PROBE SPECIFICATIONS

|                           |  |
|---------------------------|--|
| <b>Minimum Centers</b>    | 0.175 (4.45)   |
| <b>Current Rating</b>     | 15 A continuous<br><i>(individual probe in free air @ ambient temperature)</i> |
| <b>Spring Force</b>       | 176 g @ 0.06 (1.52) travel   |
| <b>Typical Resistance</b> | < 10 mΩ  |
| <b>Maximum Travel</b>     | 0.09 (2.29)  |
| <b>Working Travel</b>     | 0.06 (1.52)  |

### MATERIALS

|                   |                               |
|-------------------|-------------------------------|
| <b>Barrel</b>     | Nickel/silver, gold plated    |
| <b>Spring</b>     | Stainless steel               |
| <b>Plunger</b>    | Beryllium copper, gold plated |
| <b>Bias Ball</b>  | Stainless steel               |
| <b>Receptacle</b> | Nickel/silver, gold plated    |

### HOW TO ORDER

|                    |            |
|--------------------|------------|
| <b>Part Number</b> | 101119-001 |
|--------------------|------------|