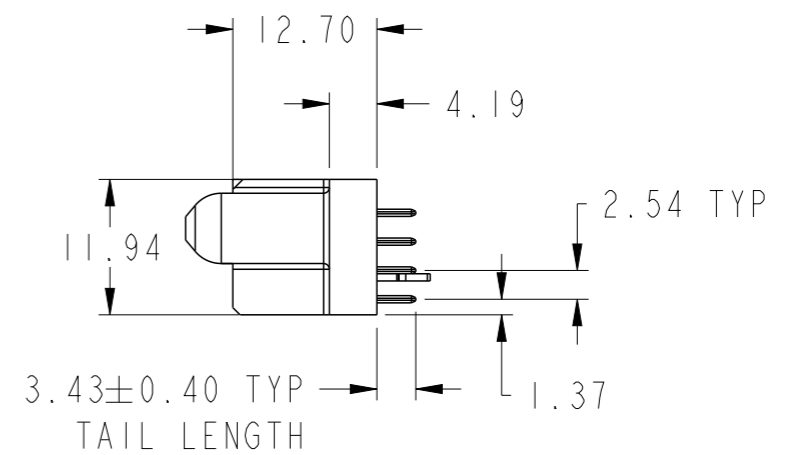
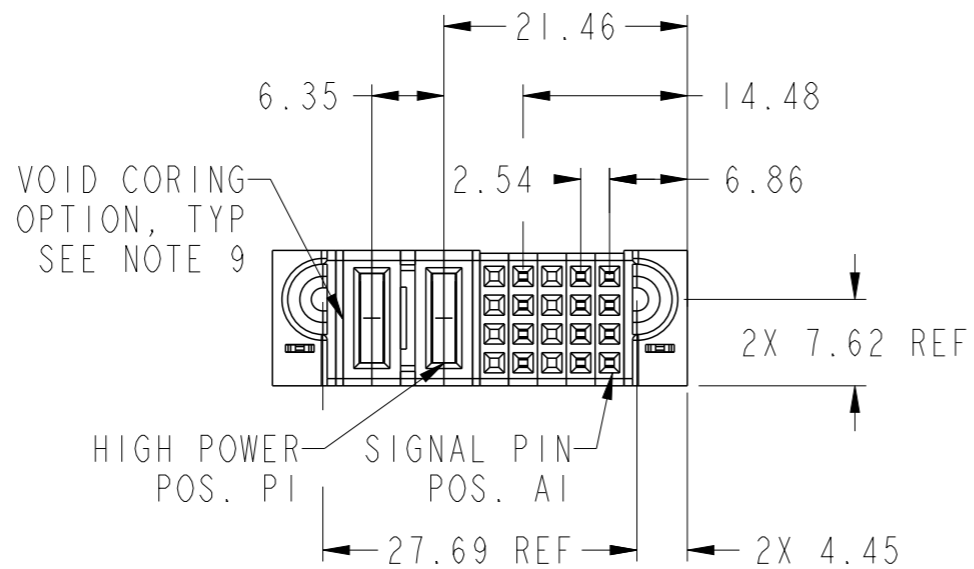
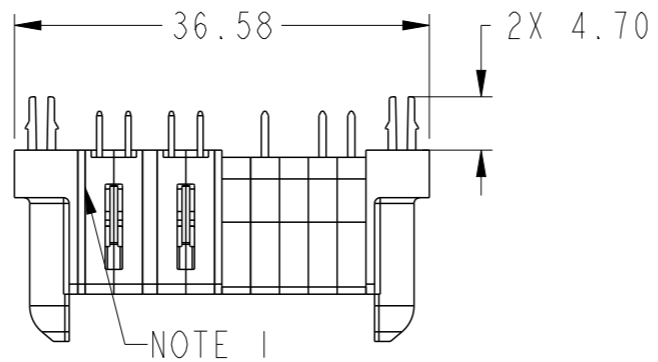
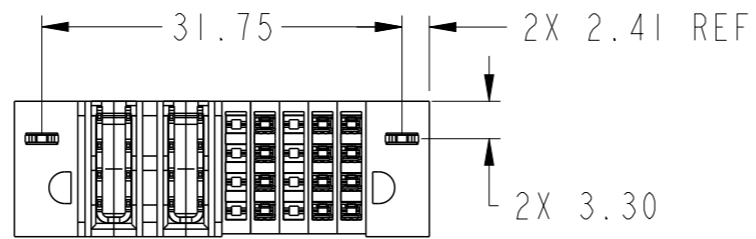


PRODUCT NUMBER SEE SHEET 2



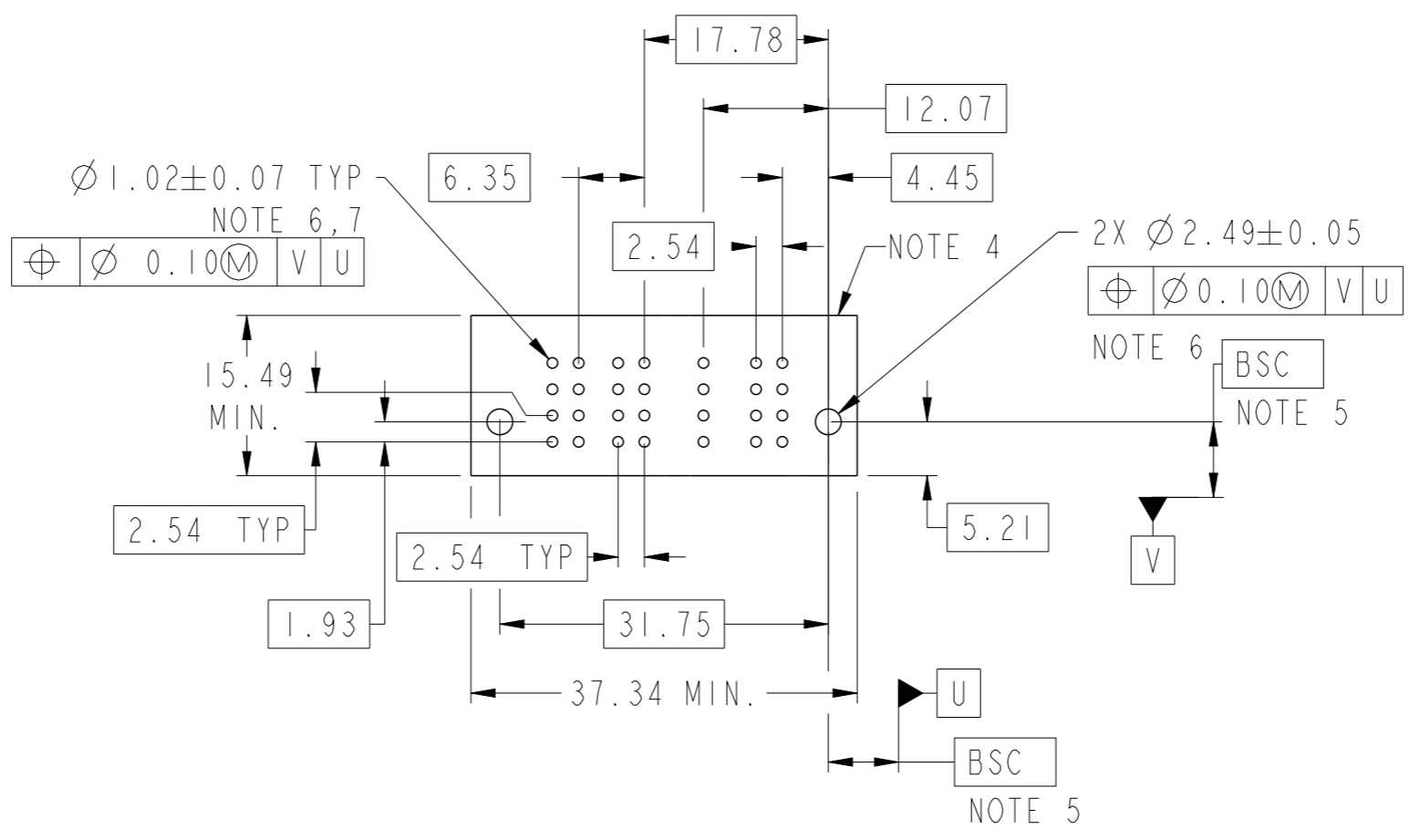
spec ref		dr	Sunny2 Liu	2017/07/12	projection	MM	size	A3	scale	3:2		
tolerance std		eng	Sunny2 Liu	2017/08/01			ecn no		rel level			
ISO 406 ISO 1101		chr	Fancy Zhang	2017/08/01			-		Released			
TOLERANCES UNLESS OTHERWISE SPECIFIED		appr	Pei-Ming Zheng	2017/08/01	product family		PowerBlade+					
surface	linear	0.X		±0.5	Amphenol FCI		20S + 2HP VT STB RECEPTACLE		dwg no 10106130-2005001		rev A	
		0.XX		±0.25								
ISO 1302		angular	0°		±2°		cat. no.		Product - Customer Drw		sheet 1 of 3	

Amphenol FCI

© 2016 AFCI

PRODUCT NO.	ROWS	HP			SIGNAL					E2
		E1	P2	P1	5	4	3	2	1	
10106130-2005001LF	D C B A		H3	H3	X	X	X	E	E	

CODE	DESCRIPTION
E	STD SIGNAL CONTACT
H3	STD HIGH POWER CONTACT (3.43)
HA	METAL HOLD DOWN
X	OMITTED



Amphenol
FCi

© 2016 AFCI

spec ref	dr	Sunny2 Liu	2017/07/12	projection	MM	size	A3	scale	3:2
tolerance std	eng	Sunny2 Liu	2017/08/01		← →	ecn no	-	rel level	Released
ISO 406 ISO 1101	chr	Fancy Zhang	2017/08/01						
surface	linear	0.X	±0.5	product family	PowerBlade+	dwg no	10106130-2005001	rev	A
		0.XX	±0.25						
ISO 1302	angular	0°	±2°	cat. no.	Product - Customer Drw	sheet 2 of 3			

**Amphenol
FCi**

20S + 2HP
VT STB RECEPTACLE

A

B

C

D

A

B

C

D

NOTES:

- 1) PRODUCT MARK:
PART NUMBER AND DATE CODE TO BE MARKED ON THIS SURFACE .
THE MARK CAN BE OMITTED IF THERE IS NOT ENOUGH SPACE ON THIS SURFACE.
- 2) MATERIALS:
-HOUSING : HIGH TEMP THERMOPLASTIC WITH GLASS FIBER, UL94V-0, BLACK.
-POWER CONTACT : HIGH CONDUCTIVITY COPPER ALLOY.
-SIGNAL CONTACT : COPPER ALLOY.
- 3) PLATING SPECIFICATION : 10116351
- 4) DENOTES CONNECTOR KEEP OUT ZONE.
- 5) DATUM AND BASIC DIMENIONS ARE ESTABLISHED BY CUSTOMER.
- 6) ALL HOLE DIAMETERS ARE FINISHED HOLE SIZES.
- 7) 1.15+/-0.025MM DRILLED HOLE PLATED WITH 0.00762MM MIN SN
OVER 0.0254-0.0762MM CU PLATING TO ACHIEVE A 1.02+/-0.07MM HOLE.
- 8) THE HOUSING WILL WITHSTAND EXPOSURE TO 265 °C PEAK TEMPERATURE
FOR 10 SECONDS IN A WAVE SOLDER APPLICATION.
- 9) THE VOID CORING IN BETWEEN POWER MODULES, SIGNAL MODULES AND
END MODULES ARE OPTIONAL AND THE SHAPE MAY BE DIFFERENT FOR
OPTIMIZE THE MOLDING PROCESS. THE VOID CORING WILL NOT EFFECT
TO PRODUCT FUNCTION.
- 10) THIS PRODUCT MEETS EUROPEAN UNION DIRECTIVES AND OTHER COUNTRY
REGULATIONS AS DESCRIBED IN GS-47-0004.
- 11) PRODUCT SPECIFICATION : GS-12-658.
APPLICATION SPECIFICATION : GS-20-141.
PRODUCT PACKAGE SPECIFICATION: GS-14-1502.

Amphenol
FCi

© 2016 AFCI

spec ref		dr	Sunny2 Liu	2017/07/12	projection 	MM ←→	size	A3	scale	1:1	
tolerance std		eng	Sunny2 Liu	2017/08/01			ecn no	-			
ISO 406 ISO 1101		chr	Fancy Zhang	2017/08/01			rel level	Released			
surface		appr	Pei-Ming Zheng	2017/08/01	product family	PowerBlade+	dwg no		10106130-2005001	rev	A
ISO 1302		TOLERANCES UNLESS OTHERWISE SPECIFIED		Amphenol FCi		20S + 2HP VT STB RECEPTACLE		cat. no.		Product - Customer Drw	sheet 3 of 3
	linear	0.X	±0.5								
		0.XX	±0.25								
		0.XXX	±0.10								
	angular	0°	±2°								