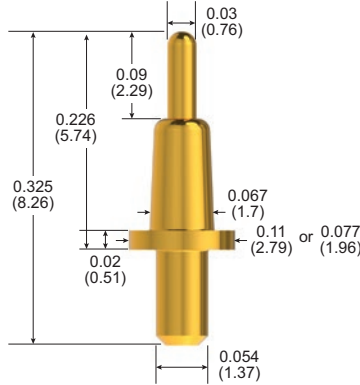


► 101050 PROBE



PROBE SPECIFICATIONS

Minimum Centers	0.125 (3.18)
Current Rating	10 A continuous <i>(individual probe in free air @ ambient temperature)</i>
Spring Force	65 g @ 0.06 (1.52) travel
Typical Resistance	< 10 mΩ
Maximum Travel	0.09 (2.29)
Working Travel	0.06 (1.52)

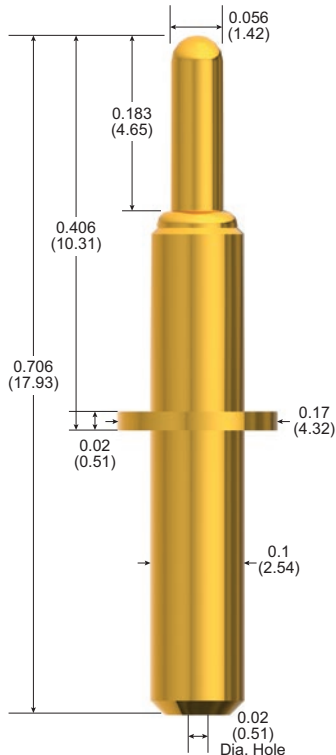
MATERIALS

Barrel	Nickel/silver, gold plated
Spring	Stainless steel, passivated
Plunger	Beryllium copper, gold plated
Ball	Stainless steel, gold plated

HOW TO ORDER

Part Number	101050-003 (0.11 dia. flange) 101050-005 (0.077 dia. flange)
--------------------	---

► 101247 PROBE



PROBE SPECIFICATIONS

Minimum Centers	0.20 (5.08)
Current Rating	20 A continuous <i>(individual probe in free air @ ambient temperature)</i>
Spring Force	332 g @ 0.147 (3.73) travel
Typical Resistance	< 10 mΩ
Maximum Travel	0.180 (4.57)
Working Travel	0.147 (3.73)

MATERIALS

Barrel	Brass, gold plated
Spring	Stainless steel, passivated
Plunger	Beryllium copper, gold plated

HOW TO ORDER

Part Number	101247-001
--------------------	------------